

Slimline Trays Installation Instructions

DESIGN AND PLANNING CONSIDERATIONS:

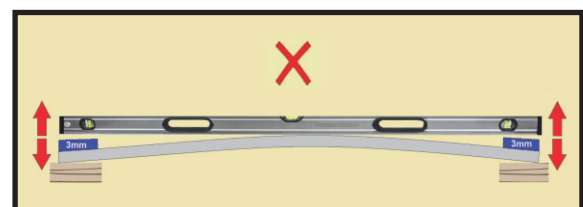
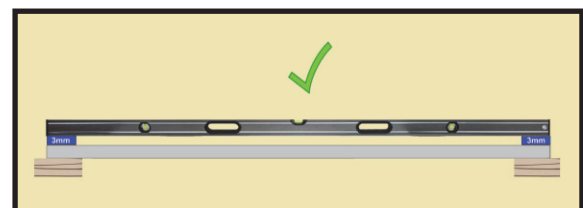
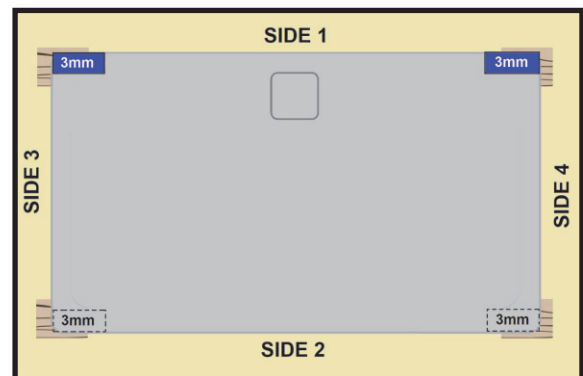
- It is the installers responsibility to ensure the shower suite has been arranged to retain water as per the needs of the customer. **Where the tray has been fitted contrary to the instructions no liability can be accepted.**
- High water pressure including power showers and deluge shower heads can result in a water flow that exceeds the wastes capacity of 29L/Min.
- Avoid positioning any high velocity water feeds directly over the waste as this may compromise waste capacity.

IMPORTANT PLEASE CHECK:

1. You have read the complete instructions before commencing fitting.
2. Prior to installing the tray, remove packaging and inspect the surface for imperfections or damage. **FITTING THE TRAY IS ACCEPTANCE OF QUALITY, no liabilities can be claimed for damages after the tray has been fitted.**
3. Inspect the waste sealing area and confirm it is clean and serviceable.
4. Only neutral mould resistant silicone should be used. Any other type of sealant can damage the tray.
5. The tray must be fitted with the waste supplied. Failure to fit the supplied waste may lead to drainage issues and an incompatibility with the dedicated waste cap.
6. If the product is not being fitted immediately it must be stored flat on a solid, level surface.

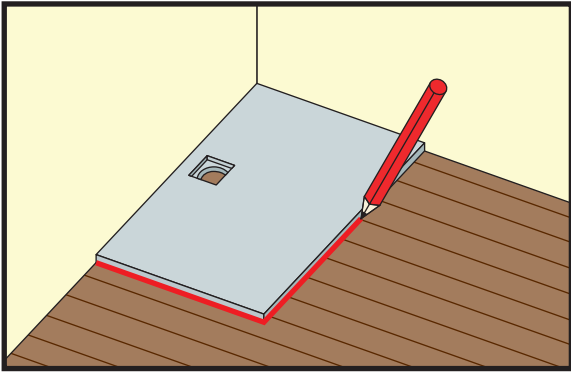
THE BELOW CHECKS MUST BE CARRIED OUT BEFORE FITTING:

- 1) Place one of the 4 wooden blocks provided under each of the tray corners.
- 2) Place both 3mm spacers provided at each end of the tray as shown. Ensure all 4 sides are tested.
- 3) Place a long level **no shorter than the tray side being tested** onto each 3mm spacer as shown in step 4.
- 4) If the level **does not rock** your tray can be fitted.
- 5) If the level rocks please contact customer services

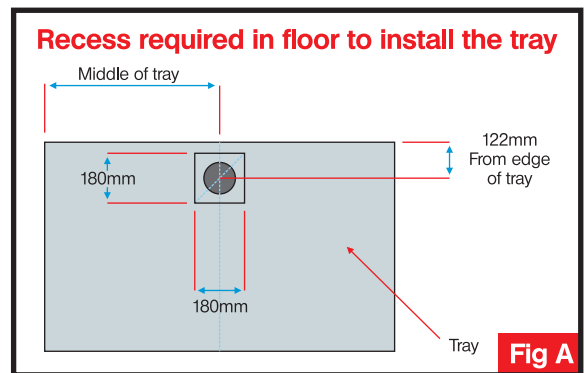
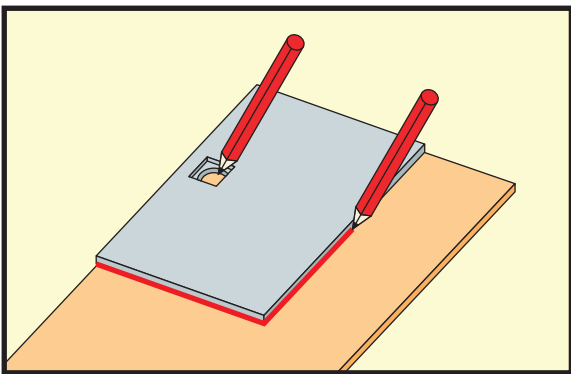
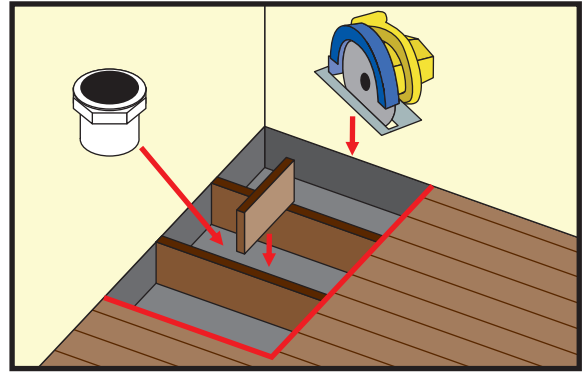


NOTE: For quadrant trays check, please refer to page 6

For suspended wooden floor installation

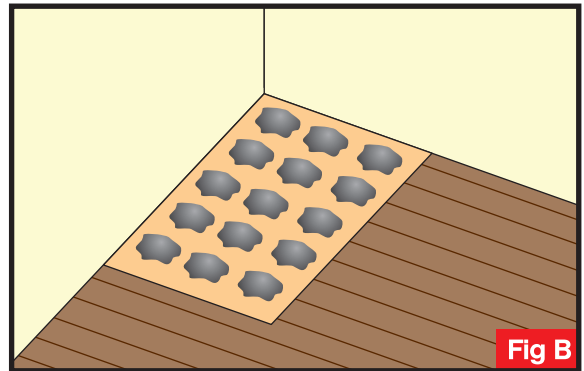


Step 1) lay the tray into position & make a clear mark around its perimeter. You can then remove the tray and the existing flooring. Fit additional joist supports to ensure complete support of the outer rim of the tray and waste area.

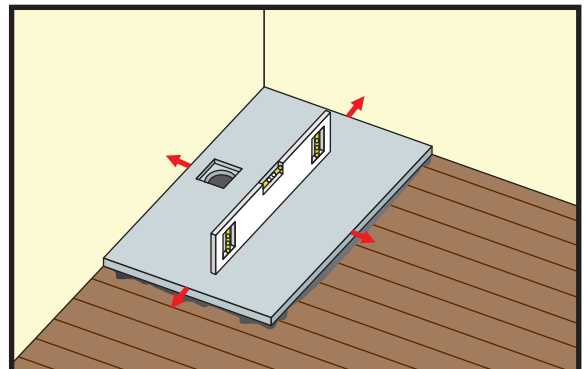


Step 2) using a sheet of marine plywood with a minimum thickness of 12mm mark the trays perimeter and waste hole. Fit all waste services before securing your plywood to your joists. (Fig A)

Step 3) Clear the area of debris Apply and mix 5:1 sand cement with a plasticiser added to allow for a more workable mix. Move in 50mm from the perimeter line and lay 150-200mm dabs of bedding approx. every 200mm in an evenly spread grid pattern similar to Fig B.



Step 4) Place the tray onto the bedding. Manipulate back and forth until the excess mortar spreads to the tray perimeter.

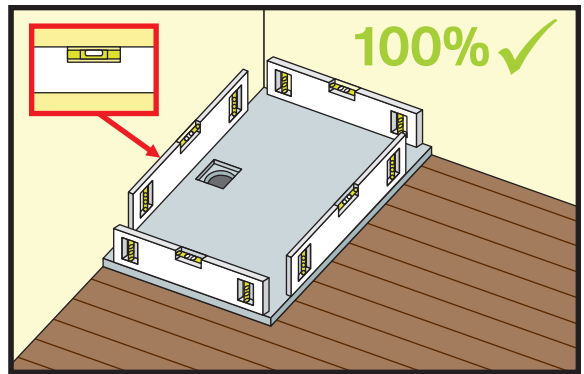
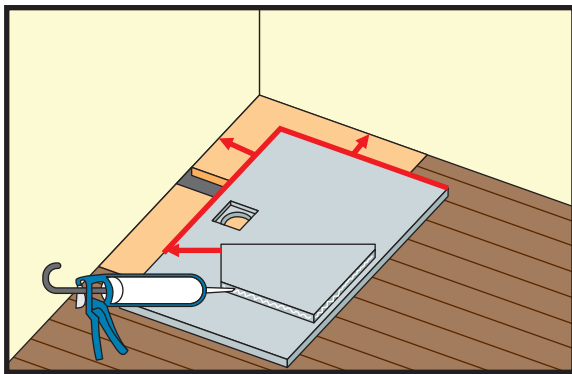
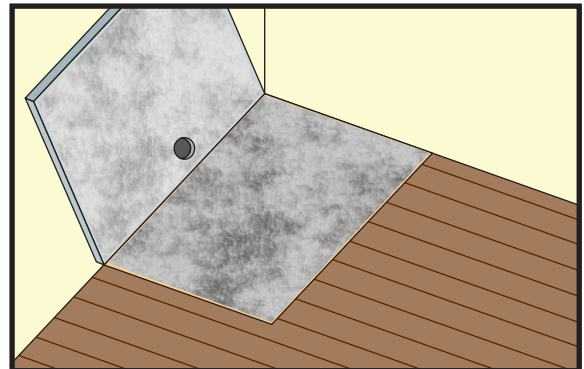
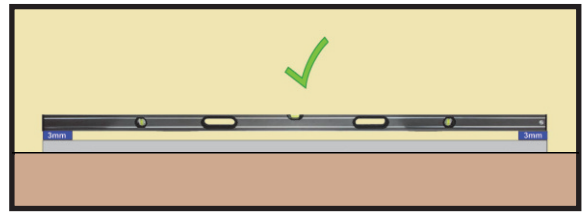


Step 5) Re-check the level using the 3mm spacers. if the level rocks further manipulation may be needed or there may be a high spot in the bedding compound which will need to be repositioned until the tray is level.

NOTE: Installation should not be completed until the level does not rock upon the 3mm spacers.

Step 6) Lift the tray and check that the bedding compound is making contact with the entire underside of the tray. This is required to ensure the tray will be fully supported by the bedding compound. Add or remove material to suit and re-bed. **Ensure the fitting of the waste trap has been considered prior to final sealing of the tray in step 7.**

ATTENTION! DO NOT OVER TIGHTEN THE SHOWER WASTE ON INSTALLATION. SEE WASTE INSTRUCTIONS FOR CORRECT FITTING.



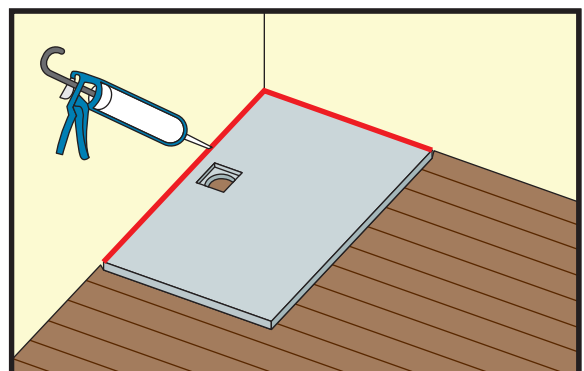
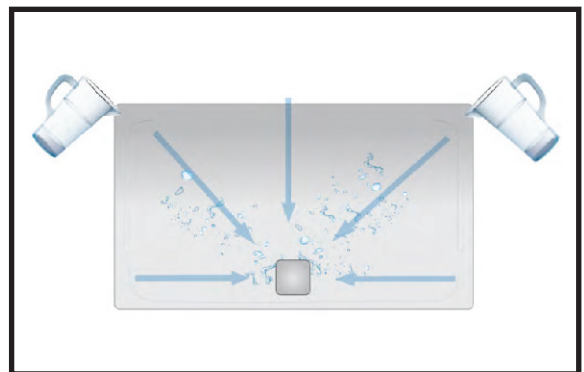
Step 7) Run a large bead of neutral mould resistant silicone on all edges that will contact the walls. Bed the tray with fitted waste into the sand and cement mix making sure the tray is level on all sides. Re-perform the straightness test (as in Step 5)

Step 8) Once the tray is bedded, level and clean perform a water drainage test by pouring water onto the tray (as per diagram) to ensure water does not flow away from the waste due to uneven bedding compound distribution.

Note: natural surface tension will cause your tray surface to retain some residual water.

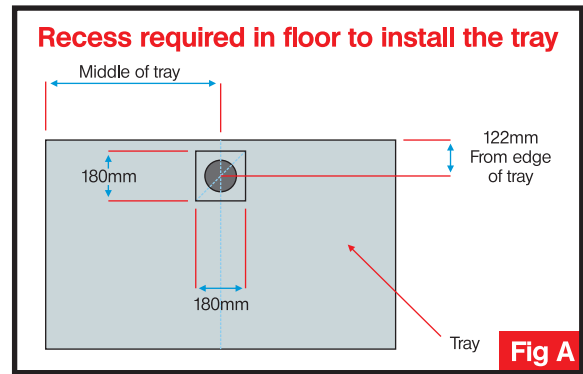
Only complete the tiling and sealing of your tray area on completion of this test.

Step 9) Run a further bead of neutral mould resistant silicone around the rims of the tray adjacent to all walls. Allow all aspects of material to cure according to the manufacturer's instructions.

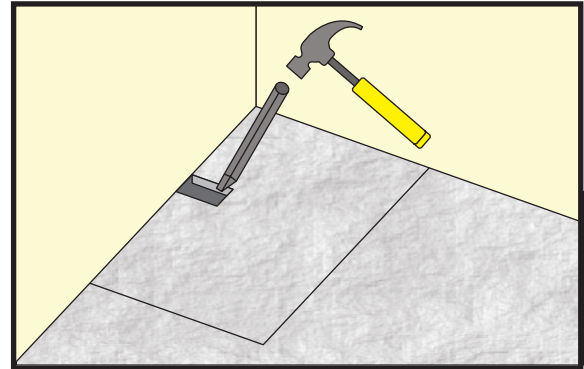


For concrete floor installation

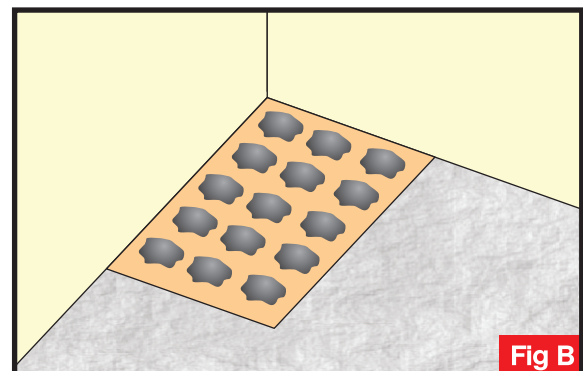
Step 1) Lay the tray into position and mark out the tray perimeter and waste position as shown in Fig A.



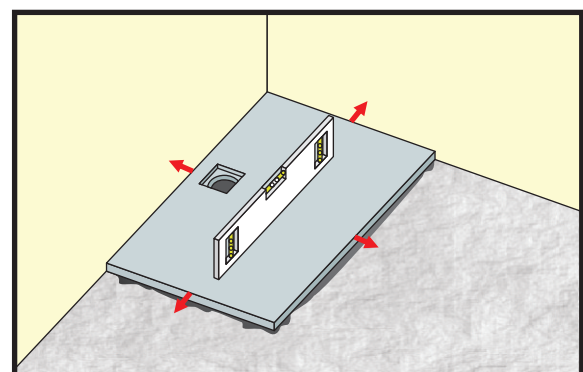
Step 2) Remove the concrete from the waste area allowing enough depth for the provided waste and waste pipe connections.



Step 3) Clear the area of debris. Apply and mix 5:1 sand cement with a plasticiser added to allow for a more workable mix. Move in 50mm from the perimeter line and lay 150-200mm dabs of bedding approx. every 200mm in an evenly spread grid pattern similar to Fig B.

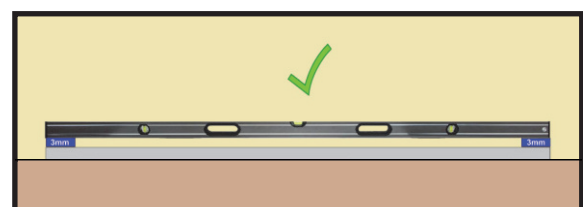


Step 4) Place the tray onto the bedding. Manipulate back and forth until the excess mortar spreads to the tray perimeter.

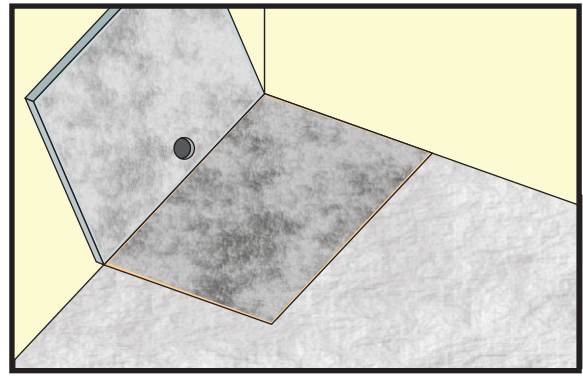


Step 5) Re-check using the 3mm spacers. If the level rocks further manipulation may be needed or there may be a high spot in the bedding compound which will need to be repositioned until the tray is level.

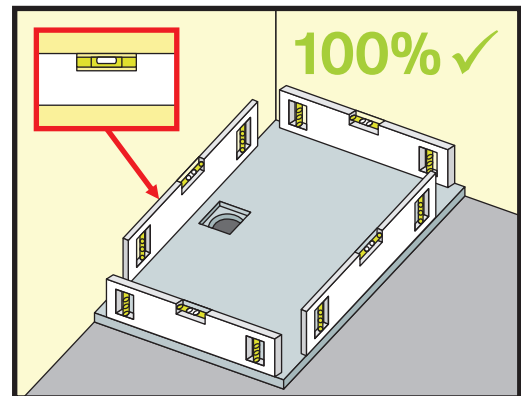
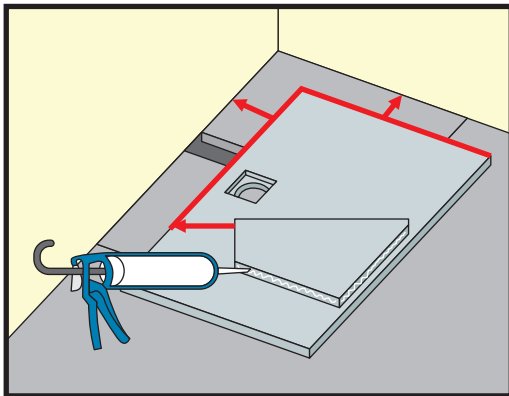
NOTE: Installation should not be completed until the level does not rock upon the 3mm spacers.



Step 6) Lift the tray and check that the bedding compound is making contact with the entire underside of the tray. This is required to ensure the tray will be fully supported by the bedding compound. Add or remove material to suit and re-bed. **Ensure the fitting of the waste trap has been considered prior to final sealing of the tray in step 7.**



ATTENTION! DO NOT OVER TIGHTEN THE SHOWER WASTE ON INSTALLATION. SEE WASTE INSTRUCTIONS FOR CORRECT FITTING.

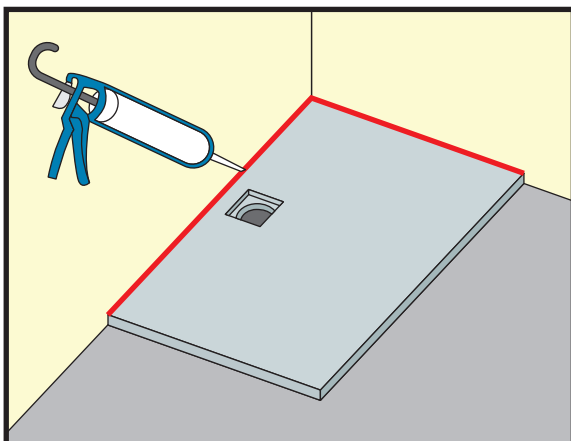
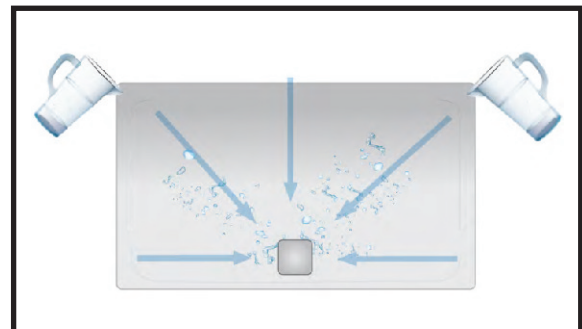


Step 7) Run a large bead of neutral mould resistant silicone on all edges that will contact the walls. Bed the tray with fitted waste into the sand and cement mix making sure the tray is level on all sides. Re-perform the straightness test (as in Step 5)

Step 8) Once the tray is bedded, level and clean perform a water drainage test (as per diagram) to ensure water does not flow away from the waste due to uneven bedding compound distribution.

Note: natural surface tension will cause your tray surface to retain some residual water.

Only complete the tiling and sealing of your tray area on completion of this test.

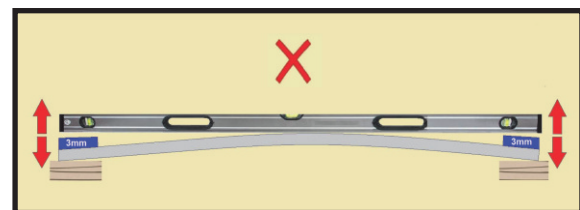
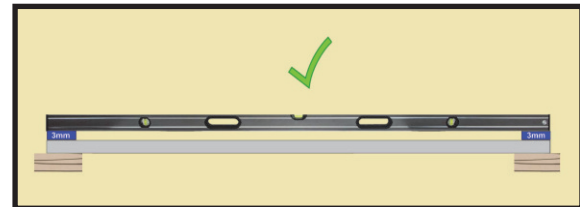
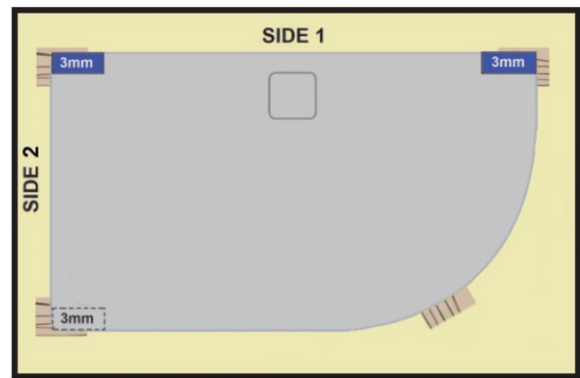


Step 9) Run a further bead of neutral mould resistant silicone around the rims of the tray Adjacent to all walls. Allow all aspects of material to cure according to the manufacturer's instructions.

Quadrant Tray Check

Method

- 1) Place 3 of the 4 wooden blocks provided under each corner. Place the 4th wooden block under the curved perimeter of the tray as shown.
- 2) Place both 3mm spacers provided at the end of each side being tested. Ensure both sides 1 & 2 are tested as shown.
- 3) Place a long level no shorter than the tray side being tested onto the 3mm spacer as shown,
- 4) If the level does not rock your tray can be fitted.
- 5) If the level rocks please contact customer services.



Wet Room Application

If your tray has been purchased to be fitted as part of a wet room area with no surrounding glass, ensure the floor around the tray is adequately sealed as water may escape.

See your retailer/installer for full details on wet room tanking systems.

Maintenance

The tray can be maintained as good as new by following these guidelines.

- 1) Dry out the tray fully after every use to avoid the build-up of lime scale and soap residue.
- 2) Clean the tray out regularly with a damp cloth or sponge followed by a soft dry cloth.
- 3) Occasionally use a non-abrasive cleaner to remove any stubborn stains.

Customer Guarantee

We guarantee this product against faulty material or manufacture provided it has been installed, used and maintained in accordance with the manufacturer's instructions.

Should a claim arise we will request the following: -

- 1) Proof of purchase
- 2) The product has been fitted/installed in accordance with the fitting instructions.
- 3) The product has been maintained and cared for in accordance with our instructions. If in our opinion the product has been modified, misused, neglected or damaged, we cannot accept any responsibility for failure

Warranty: Limitations

- a) The company warrants that its products will be free of any manufacturing related defect throughout the warranty period. If a product fails within this period as a result of a manufacturing defect then it will agree to either; repair, replace or refund the purchase price of the goods. Where the fault or defect is of a result of defective materials and or services (i.e. installation) supplied by a 3rd party then the purchasers only remedy is against that 3rd party.

Any claim made under the product warranty shall in all circumstances be limited to the repair, replacement or refund of the purchase price. The company shall not in any circumstances be responsible for damages, expenses, compensation, losses or other liabilities however incurred.

- b) Where the company is requested to attend site to inspect allegedly defective goods and it determines that the goods are not subject to a valid warranty claim, then it reserves the right to make a reasonable charge in respect of that visit.

CE

18

EN 14527 - CL1