

LED GARDEN SPIKE

Product Features

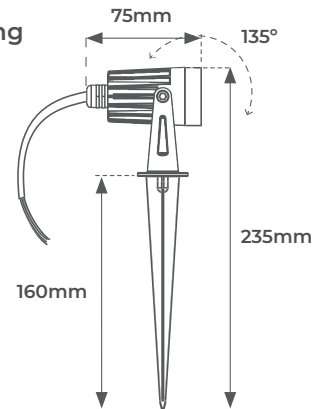
- Latest integrated LED garden spike with tilt and rotatable head
- High impact housing for increased durability
- Perfect for accent garden lighting
- Supplied pre-wired with 1 metre of cable



IP66 Rating	30K Hours	4000K NEUTRAL WHITE	220-240 Volt	WHITE FINISH	2 YEAR Warranty
-----------------------	---------------------	----------------------------------	------------------------	------------------------	------------------------------

CAT NO.	LUMINAIRE LUMENS	WATTAGE
LEXLS4B40	200	3W

Product Drawing



CAT NO.	WEIGHT (kg)	Lm/W	CRI	FREQUENCY (Hz)	IK RATING	TEMP RANGE (°C)	AMBIENT TEMP RATED LIFE (°C)	L/B RATED LIFE
LEXLS4B40	0.26	67	>80	50-60	IK04	0 - +25	25	L70/B50

STANDARD	DESCRIPTION
EN 60598-1	Luminaires – General requirements
EN 60598-2-1	Luminaires – Fixed general purpose
EN 61000-3-2	Electromagnetic compatibility (EMC) – Part 3-2: Limits - for harmonic current emissions
EN 61000-3-3	Limits - Limitation of voltage changes, voltage fluctuations and flicker in public low-voltage supply systems, for equipment with rated current ≤ 16 A per phase and not subject to conditional connection
EN 61547	Equipment for general lighting purposes – EMC immunity requirements
EN 55015	Limits and methods of measurement of radio disturbance characteristics of electrical lighting and similar equipment

LUCECO

This luminaire contains built-in LED lamps.

A++
A+
A
B
C
D
E

} LED

The lamps cannot be changed in the luminaire.

874/2012

