

COMPACT MAGNETIC USB WORK LIGHT

Product Features

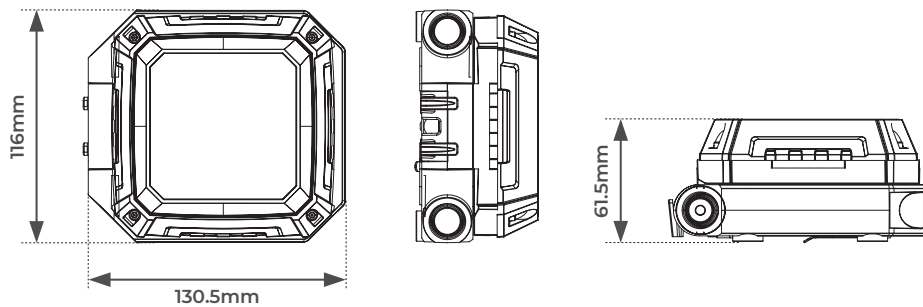
- Compact design with stand / carry handle, hook and magnetic function for multiple uses
- USB charging port and charging indicator
- High and low power modes with weatherproof power switch
- Toughened IK07 ABS constructed body with rubber trim for added protection



| CAT NO. | LUMINAIRE LUMENS | CHARGING TIME |
|---------|------------------|---------------|
| LWR7G65 | 750/300 | 3hrs |



Product Drawing



| CAT NO. | WEIGHT (Kg) | WATTAGE | CRI | FREQUENCY (Hz) | IK RATING | BATTERY TYPE | BATTERY CAPACITY | TEMP RANGE (°C) | AMBIENT TEMP RATED LIFE (°C) | FIXING CENTRES |
|---------|-------------|---------|-----|----------------|-----------|--------------|------------------|-----------------|------------------------------|----------------|
| LWR7G65 | 0.48 | 7.5W | ≥80 | 5dc | IK07 | Li-Ion 3.7V | 440mA | 0 - +40 | 25 | 130mm |

| STANDARD | DESCRIPTION |
|-----------|---|
| 60598-1 | Luminaires – General requirements |
| 60598-2-4 | Luminaires – Portable general purpose luminaires |
| 61000-3-2 | Electromagnetic compatibility (EMC) - Part 3-2: Limits – for harmonic current emissions |
| 61000-3-3 | Lamp controlgear – Part 1: General and safety requirements |
| 61547 | Equipment for general lighting purposes – EMC immunity requirements |
| 55015 | Limits and methods of measurement of radio disturbance characteristics of electrical lighting and similar equipment |

