



3N1
Velvet Black
Instant Hot
Water Tap



Hot, cold and filtered
steaming hot water.
Luxury and convenience
at your fingertips.

At the pull of a lever, the 3N1 steaming hot water tap can dispense steaming hot filtered water, regular hot or regular cold water, replacing your main tap. Ideal for making hot drinks, cleaning, preparing pasta and more.

FEATURES

- Dispenses filtered steaming hot water - perfect for hot drinks and countless kitchen tasks
- Swivel spout
- Premium contemporary Italian design
- Manufactured with premium materials
- Efficient use of space and time
- Easy to install
- 5 year tap guarantee and 1 year tank guarantee
- Safe, multi-step hot water handle



Safe

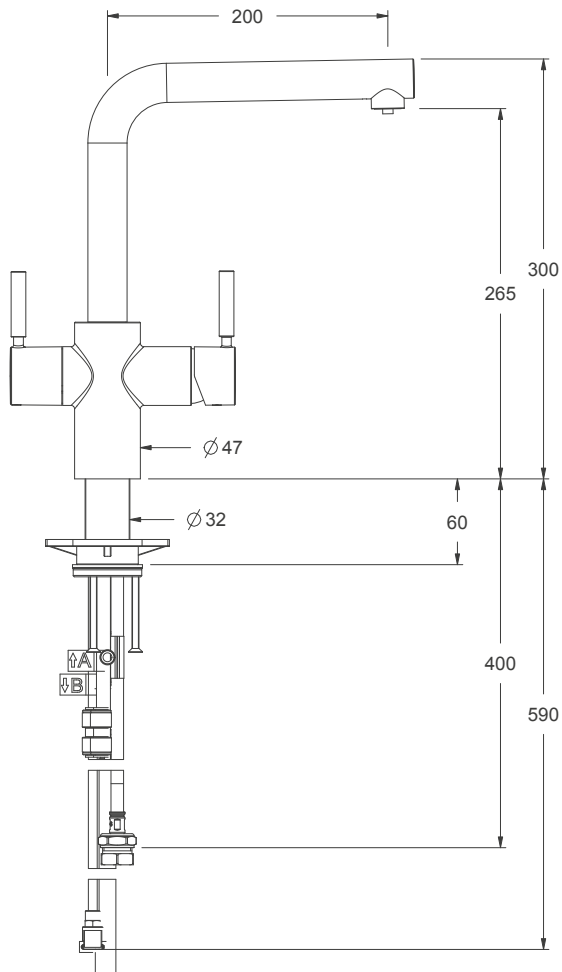
All of our steaming hot water taps are protected by a push lock safety lever.



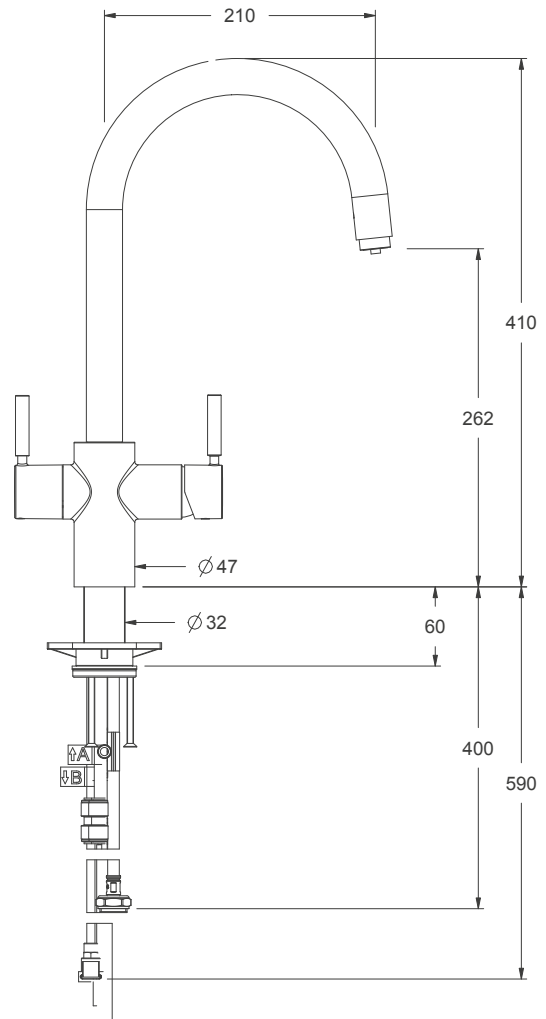
Energy efficient

An InSinkErator® steaming hot water tap uses less energy than a 40-watt light bulb.

DIMENSIONS (mm)



**3N1 L SHAPE VELVET BLACK:
050375025337**



**3N1 J SHAPE VELVET BLACK:
050375025344**

SPECIFICATIONS

- Solid, high-quality low lead brass
- Complete installation kit for solid surface mount
- Capacity: 2.5 litre stainless steel tank
- Neotank® features a digital adjustable dial that allows you to set your water temperature in tank between 88°C and 98°C
- Required hole diameter: 35-38mm
- Required supply pressure (cold): 172-862 kPa (1.7-8.6 bar) (25-125 psi)
- Required supply pressure (hot): 50kPa (0.5 bar) (7 psi)
- 9004 RAL colour code



InSinkEerator
Suite 10, Building 6, Hatters Lane
Croxley Park, Watford, Herts WD18 8YH
United Kingdom

Sales tel: 01923 297 880
insinkerator.co.uk