

N 50, Telescopic cooker hood, 60 cm, Silver metallic
D46ED22N1B



COOKING PASSION SINCE 1877



A



Optional accessories

- Z54TC01X0 Standard odor filter (replacement)
- Z54TH60D1
- Z54TS01X0 Standard recirculation kit

Telescopic hood: designed to provide powerful extraction without impacting on your kitchen space or design. These hoods pull out from underneath a cabinet when required for a streamlined kitchen.

- ✓ EfficientDrive: save energy and enjoy a quieter kitchen thanks to efficient brushless motor technology
- ✓ Intensive speed setting: increases the extraction rate when the steam gets intense
- ✓ LED lighting: a clear illumination whilst cooking thanks to the energy-saving LED lights

Features

Technical Data

Typology : Pull-out
 Approval certificates : CE, VDE
 Length of electrical supply cord (cm) : 175
 Required niche size for installation (HxWxD) : 162mm x 526.0mm x 290mm
 Net weight (kg) : 8.015
 Type of control : Electronic
 Maximum output air extraction (m³/h) : 270
 Boost position output recirculating (m³/h) : 189.0
 Maximum output recirculating air (m³/h) : 174
 Boost position air extraction (m³/h) : 405
 Number of lights (Stck) : 2
 Noise level (dB(A) re 1 pW) : 62
 Diameter of air outlet (mm) : 120 / 150
 Grease filter material : Washable aluminium
 Odour filter : No
 Operating Mode : Convertible
 Delay Shut off modes : 10
 Optional accessories : Z54TC01X0, Z54TH60D1, Z54TS01X0
 Type of lamps used : LED
 Total power of the lamps (W) : 4
 Grease filter type : Kasette
 Connection rating (W) : 74
 Current (A) : 10
 Voltage (V) : 220-240
 Frequency (Hz) : 50; 60
 Plug type : GB plug
 Installation type : Built-in
 Material body : zinc plated
 Approval certificates : CE, VDE
 Plug type : GB plug
 Dimensions of the product, with chimney (if exists) (in) : / x x
 Dimensions of the packed product (in) : 12.20 x 25.19 x 14.17
 Net weight (lbs) : 18.000
 Gross weight (lbs) : 21.000
 Motor location : Integrated motor in hood body
 No-return airflow flap : No
 Length of electrical supply cord (cm) : 175
 Dimensions of the product, with chimney (if exists) (mm) : 203 x 598.0 x 290.0
 Dimensions of the packed product (HxWxD) (mm) : 310 x 640 x 360
 Net weight (kg) : 8.015
 Gross weight (kg) : 9.5



4 242004 250807

N 50, Telescopic cooker hood, 60 cm, Silver
metallic
D46ED22N1B

Features

Features

- Electronic controls via Soft touch control
- 3 speeds plus intensive
- 2 x 1,5W LED
- Efficient BLDC technology
- Automatic intensive revert (6mins)
- Automatic after running (Automatic after running (10 minutes))
- 2 metal grease filter cassettes

Design

- 60 cm wide
- Silver metallic grey
- Handle strip specification: stainless steel with logo
- Filter cover stainless steel, perforated and dishwasher safe

Performance

- Suitable for ducted extraction and recirculation
- For recirculated extraction recirculating kit (accessory) needed
- Energy Efficiency Class: A (at a range of energy efficiency classes from A+++ to D)
- Extraction rate according to EN 61591 ø 15 cm:
max. Normal use 271 m³/h
Intensive 405 m³/h
- Noise level according to EN 60704-3 and EN 60704-2-13 at max.
normal use exhaust air: 62 dB(A) re 1 pW
- Noise level according to EN 60704-3 and EN 60704-2-13 exhaust
air:
Max. normal use: 62 dB(A) re 1 pW
Intensive: 69 dB(A) re 1 pW
- Colour Temperature: 3500 K
- Light Intensity: 294 lux
- Power rating: 74 W
- Average Energy Consumption: 22.2 kWh/year*
- Blower Efficiency Class: B*
- Lighting Efficiency Class: A*
- Grease Filtering Efficiency Class: C*

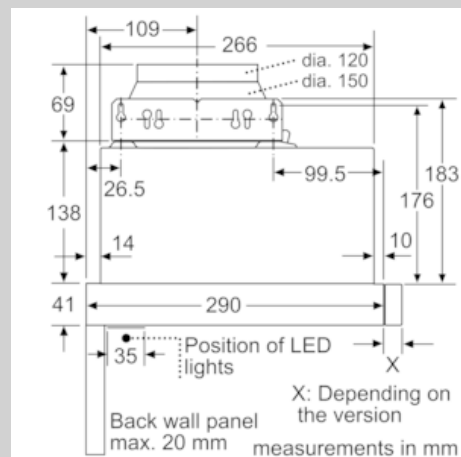
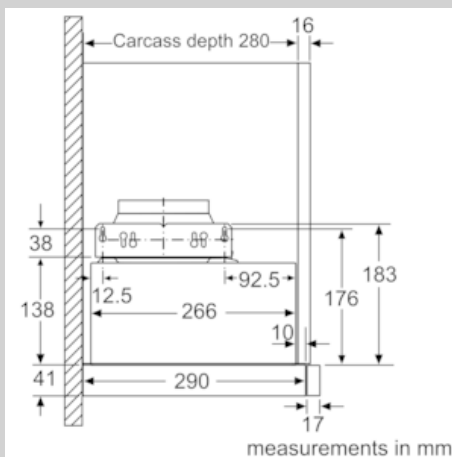
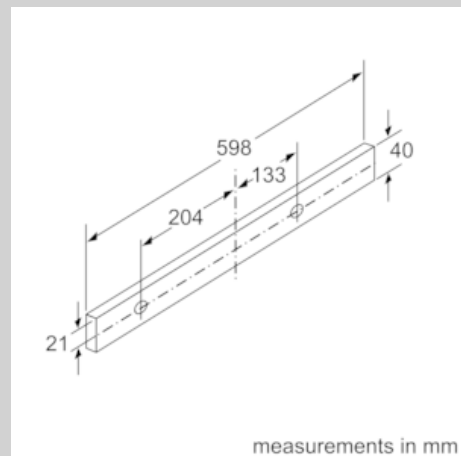
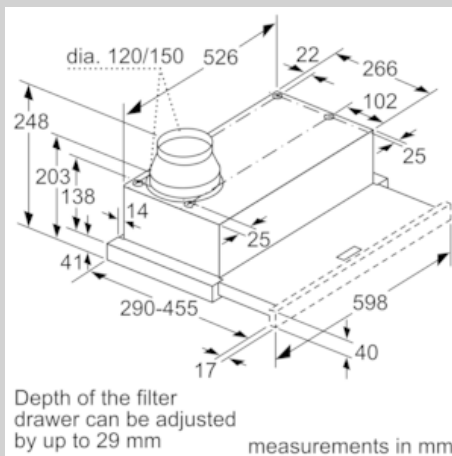
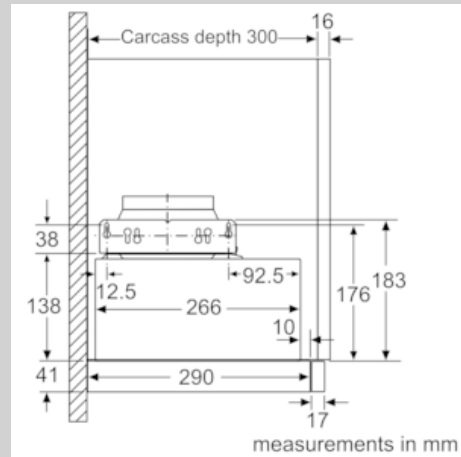
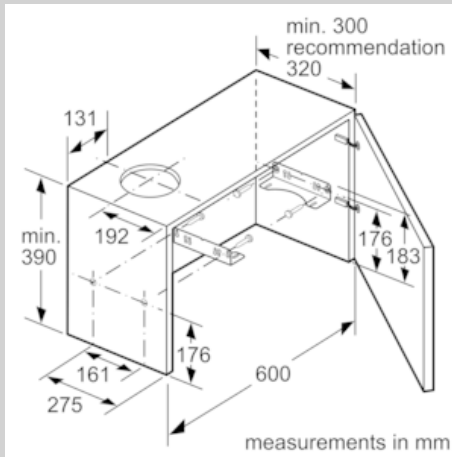
Planning and installation information

- For installation into a 600mm wide cupboard
- Dimensions (HxWxD): 203 x 598 x 290 mm
- Built-in dimensions (HxWxD): 162 x 526 x 290 mm
- Diameter pipe ø 150 mm (ø 120 mm enclosed)
- Electrical cable length 1.75 m

* In accordance with the EU-Regulation No 65/2014

N 50, Telescopic cooker hood, 60 cm, Silver metallic
D46ED22N1B

Dimensioned drawings



N 50, Telescopic cooker hood, 60 cm, Silver
 metallic
 D46ED22N1B

Dimensioned drawings

