

## Installation Manual

PM 6637  
Date of creation: 01/19  
Revision 0

### Installation

All sinks only recommended for use with wood, granite, tiled or solid surface work surfaces. These instructions are only intended as a guide, if there is any doubt then contact a certified kitchen installer.

The ceramic sink when full of water will weigh over 100Kg. It is important that the structure chosen to support the sink is suitable for this load.

Due to the weight of this product we recommend two people to move this sink.

### Product Care Information

Please do not use your sink as a chopping board.

Please avoid the use of plastic washing up bowls.

Avoid dropping sharp objects into the sink from heights, as this may damage the surface. Hot casserole dishes or saucepans should not be placed on the sink if over 280 degrees Celsius (536 degrees Fahrenheit)

### Cleaning Instructions

We recommend the following for the general cleaning of your sink

A damp cloth or sponge with a solution of dish washing liquid will remove everyday stains from your sink. More stubborn stains can be removed by using mild abrasive cleaner (such as CIF) on a damp cloth or non-metallic pan scrubber.

If stains become ingrained in the bowls, an overnight soak using diluted biological washing powder will remove these easily.

We do not recommend the use of strong chemicals e.g White Spirits, Turpentine, Petrol, etc as these abrasive solvents may affect the surface of the sink.

Gradual build-up of lime scale on the sink surface (which can cause staining) can be easily removed with vinegar or lemon juice; simply apply and rinse away with water after a few minutes.

## Installation guidelines

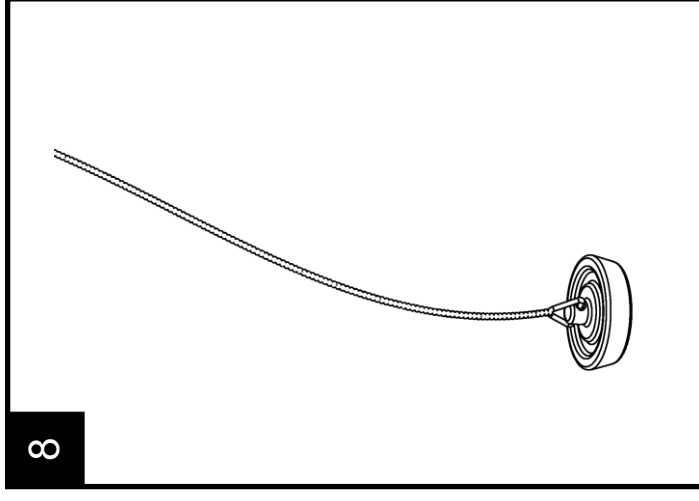
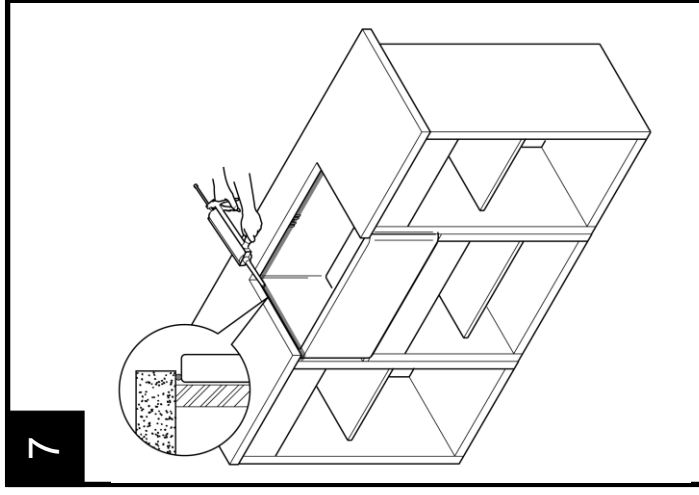
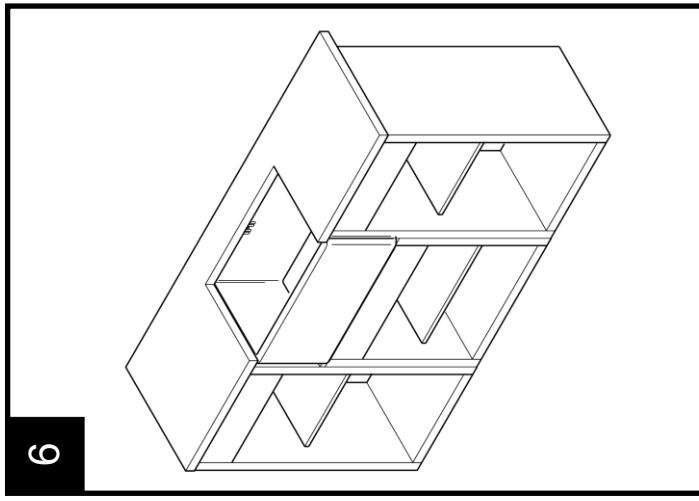
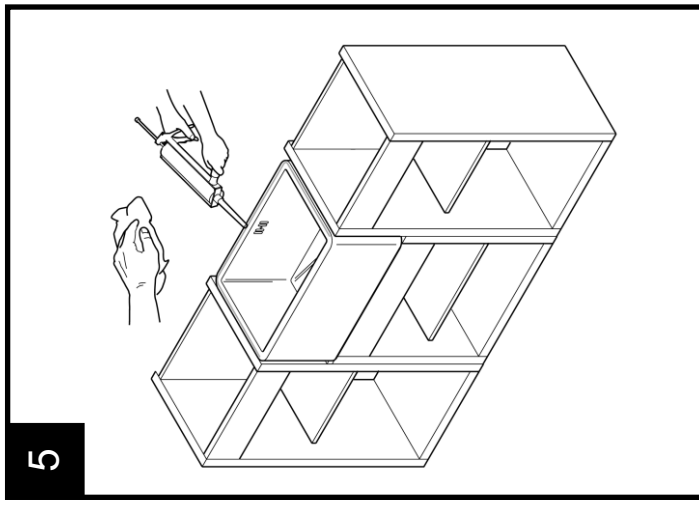
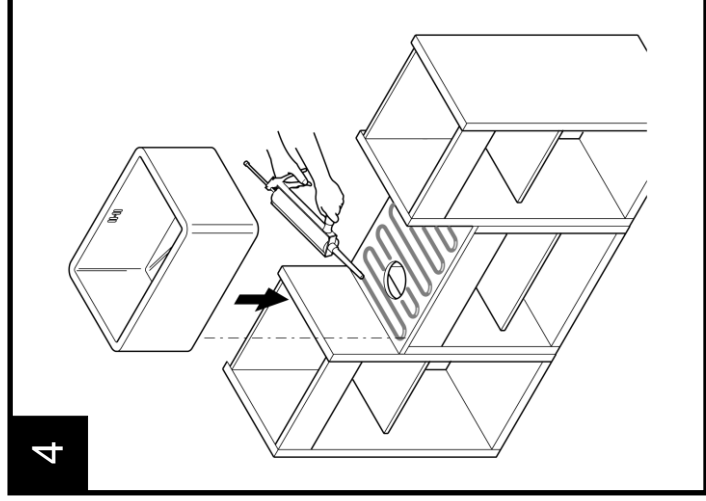
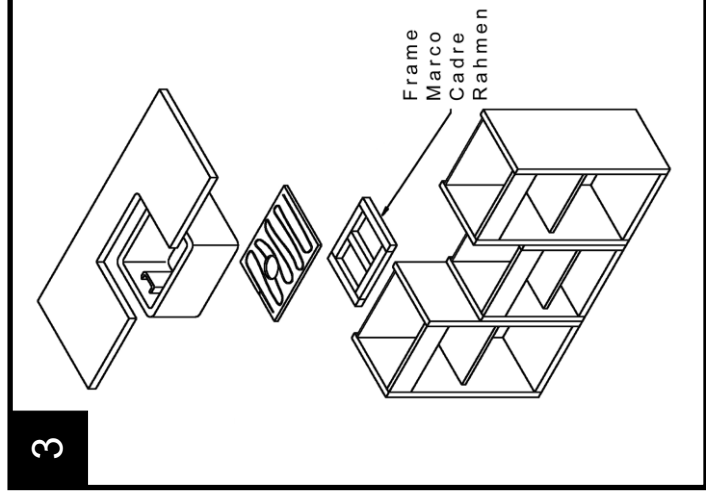
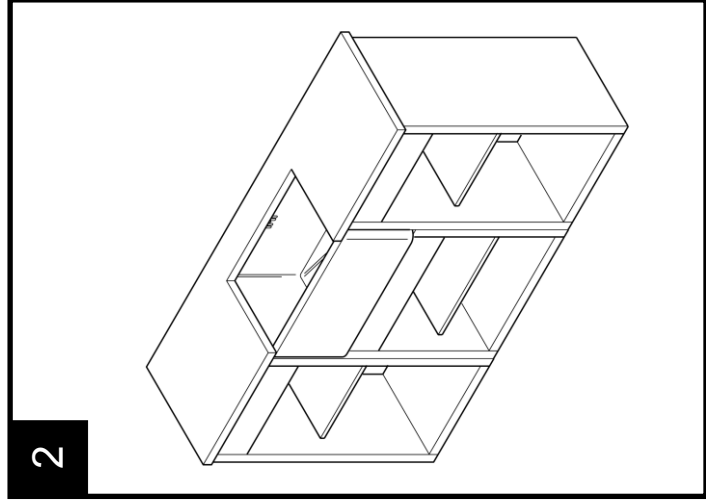
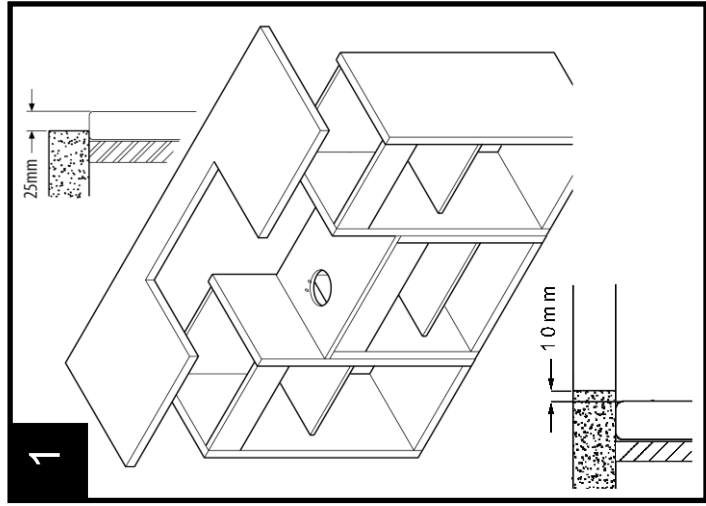
Instrucciones para la instalación  
Consignes d'installation  
Installationsanleitungen

### 2 Bowl Ceramic Butler Sink



### 1 Bowl Ceramic Belfast Sink





1. Cut the worktop as shown, the worktop should be stepped back from the inside edge of the sink by 25mm. Position the sink so that it overhangs door fronts by 10mm.
2. Dry fit the sink, base units and worktops to ensure a good fit before finally fixing the components together, make any adjustments that are necessary at this point.
3. Create a sturdy frame to reinforce the base unit as shown, this should be screwed inside the base unit so the top of the frame is level with the top of the unit. Note: the centre brace of the frame should be located so it will not foul the waste of the sink.
4. Create a base board using plywood or similar material, cut a hole through the board to allow the sink waste to pass through the board. Apply clear low modulus silicone to the top of the base board as shown, now bed the sink into the silicone.
5. Clean the sink thoroughly to remove any dirt or grease. Apply sealant around the outside edges left, back and right side of the rim of the sink.
6. Lower the worktop into position on the base units and the sink.
7. Seal the edges between the worktop and the sink with silicone. All areas around the top of the sink must be sealed, any gaps could originate water damage.
8. Attach the chain stay for the plug to the sink.