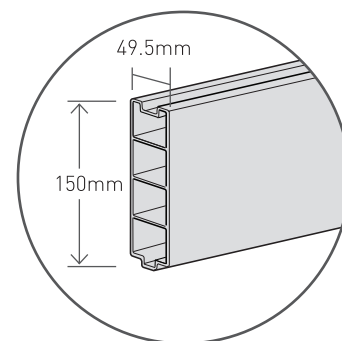


# DURAPOST PRIMA BOARD



## DESCRIPTION

The DuraPost Prima board is a tongue and groove fencing board, which may be used as a gravel board, or stacked to form a fence panel.

Supplied in 4 matching colours to compliment your fence posts (Anthracite Grey - RAL 7016, Sepia Brown - RAL 8014 & Olive Grey - RAL 7002), with a stylish embossed grain pattern, these boards form a stylish, contemporary and durable fence system when stacked between DuraPost 'Classic' posts.



For more information on the DuraPost fence post, see 'DuraPost Specification Sheet.'

## CONSTRUCTION

The DuraPost Prima board is manufactured in the UK from extruded PVC, UV-stabilised to BS EN ISO 21306-1:2019. The design included a 70% recycled PVC core with a virgin, coloured PVC skin.

Over its lifetime, a gradual, minor loss of shine may be visible on the product but this will not have a detrimental effect on the material.

## REINFORCING RODS

When stacking Prima boards, a reinforcing rod should be used in every 3rd board and if using as gravel boards to retain earth a reinforcing rod should be used in each board - this will increase the load per 1.8m gravel board to 1.5kN. The rods are manufactured from steel tube, to EN 10255:2004 and hot-dip galvanised to BS EN ISO 1461:2009.

## PRODUCTS

PRODUCT CODE	DESCRIPTION
806183A	Anthracite Grey Prima Board   1.83m
806183B	Sepia Brown Prima Board   1.83m
806183G	Olive Grey Prima Board   1.83m
8061833	Black Prima Board   1.83m
806245A	Anthracite Grey Prima Board   2.44m
806245B	Sepia Brown Prima Board   2.44m
806245G	Olive Grey Prima Board   2.44m
8062453	Black Prima Board   2.44m

8061101	Galvanised Reinforcing Rod   1.8m
806183B	Galvanised Reinforcing Rod   2.44m

## FINISHES

Anthracite Grey (RAL 7016)	Sepia Brown (RAL 8014)	Olive Grey (RAL 7002)	Black (RAL 9005)

