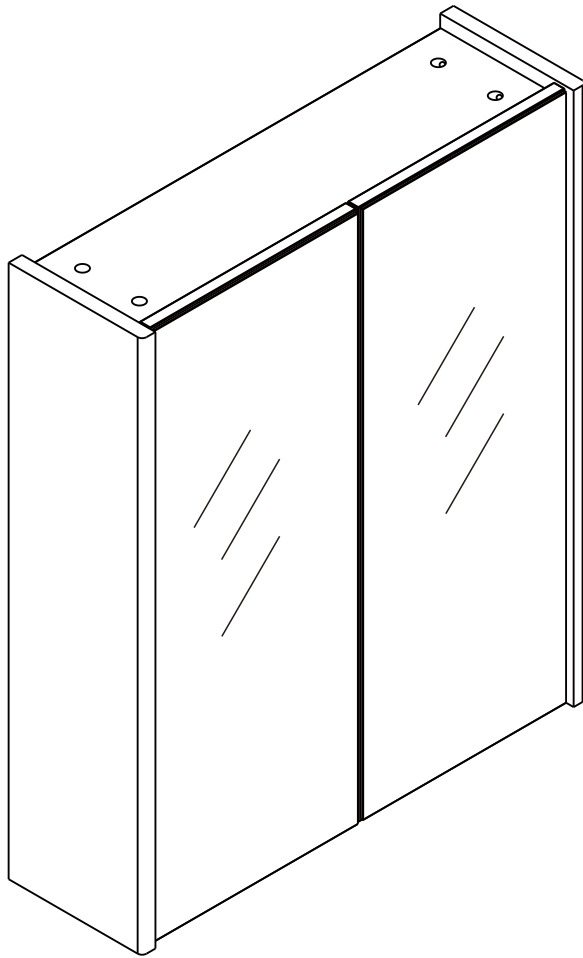


WHITE DOUBLE CABINET FITTING INSTRUCTIONS


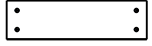
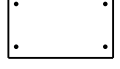
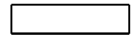
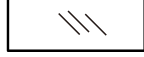



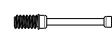





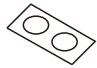
1. Before commencing work, read the instructions carefully and check that you have all necessary fittings and tools.
2. A piece of masking tape applied to the wall before marking out the fixing holes will stop the drill wandering, especially on tiled surfaces.
3. **CAUTION:** Before drilling, check for hidden power cables and pipes. Take care using power tools, especially near water. We recommend using a residual current device (RCD). Always use eye protection when drilling.
4. We recommend the assistance of another competent person to hold the cabinet while fixing it to the wall.
5. Wall fixings are not supplied with this pack as they will vary according to the type of walls you have. Ensure correct wall fixings are used for wall type.

Tools Required(not included)

						
cross headed screwdriver	hammer	pencil	tape measure	electric drill	drill bit	spirit level

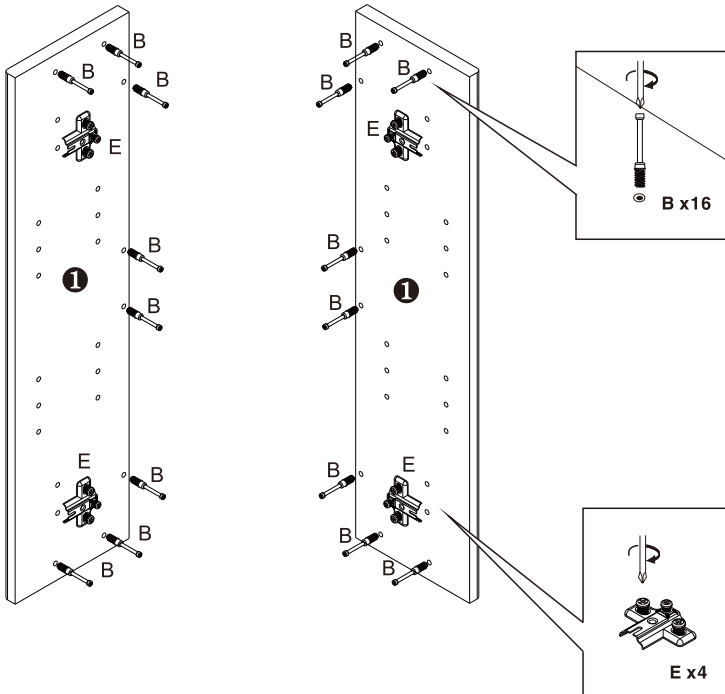
What is included in this pack?

CODE	DESCRIPTION	ILLUSTRATION	QTY
①	UNIVERSAL END PANELS		2
②	UNIVERSAL TOP& BASE PANELS		2
③	BACK PANELS		2
④	LOOSE SHELVES		2
⑤	MIRRORED DOORS		2

CODE	DESCRIPTION	ILLUSTRATION	QTY
Ⓐ	LOCKING CAMS		16
Ⓑ	CAM STUDS		16
Ⓒ	12mm SCREWS		8
Ⓓ	HINGES		4
Ⓔ	HINGE PLATES		4
Ⓕ	SHELF SUPPORTS		8
Ⓖ	5mm COVER CAPS		16
Ⓗ	DOOR BUMPER SETS		2

WHITE DOUBLE CABINET FITTING INSTRUCTIONS

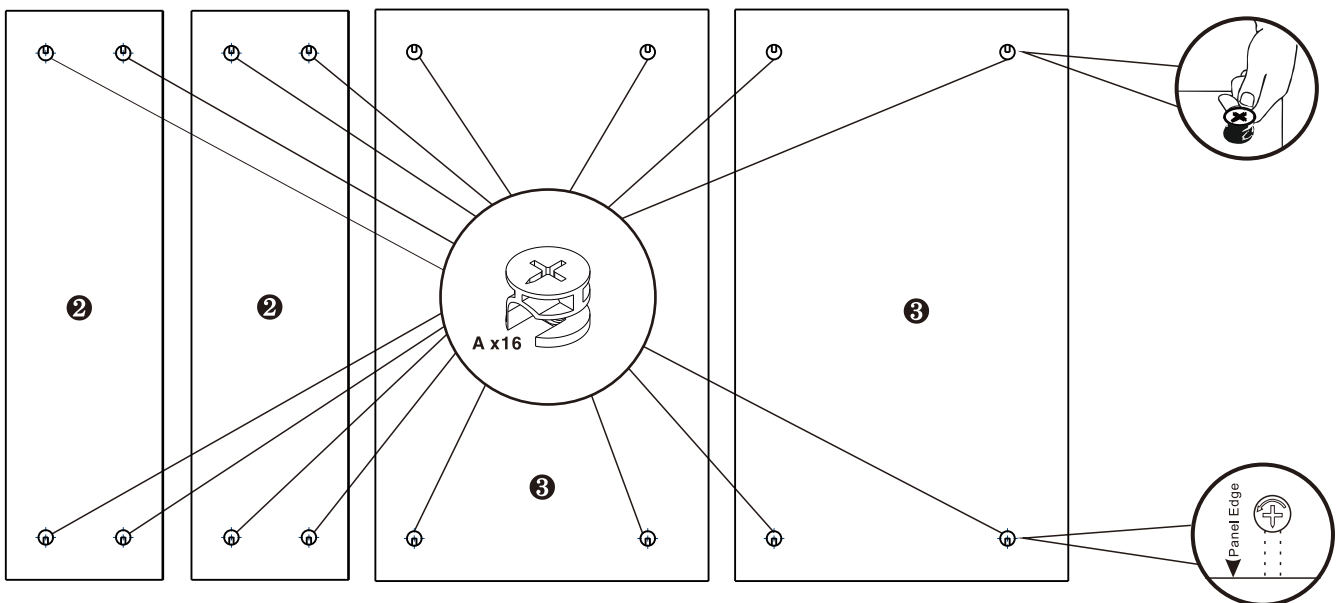
STEP 1



Using a cross headed screwdriver, carefully screw 16 x cam studs B into both of the side panels 1 as shown.

Using a cross headed screwdriver, carefully screw 4 x hinge plates E into both of the side panels 1 as shown. Make sure the arrow heads on the hinge plates are pointing towards the profiled edge of the end panels.

STEP 2



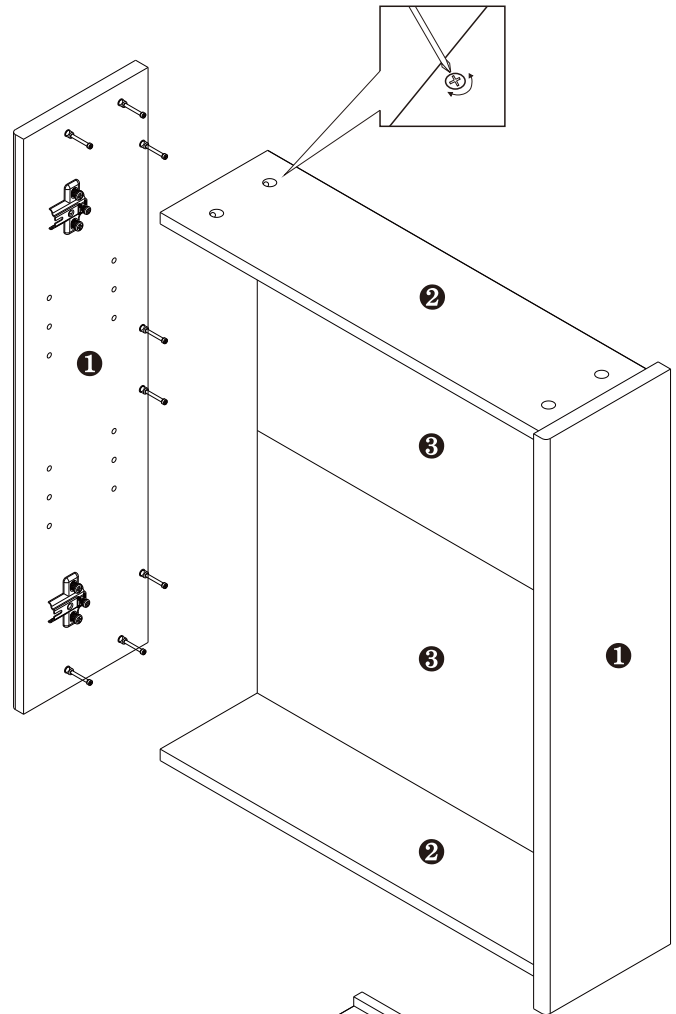
Insert 4 x locking cams into each of the panels shown above into the top and base panels 2 and the 2 x back panels 3. Using a cross headed screwdriver turn each of the locking cams A until the arrow is pointing towards the edge of the board as shown in the right hand diagram.

WHITE DOUBLE CABINET FITTING INSTRUCTIONS

STEP 3

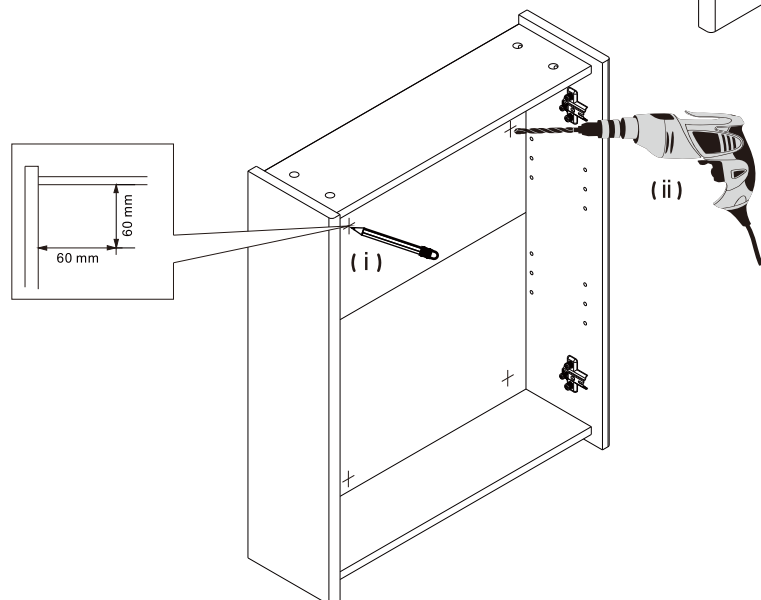
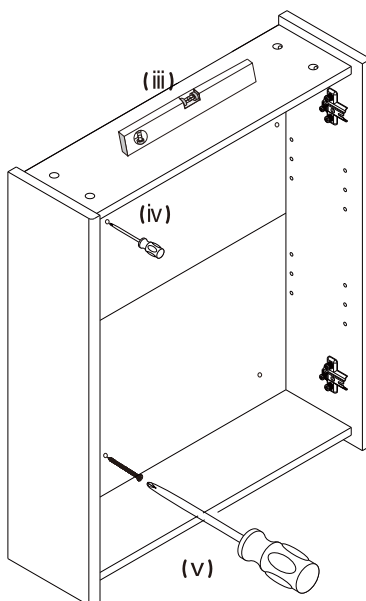
Carefully lay the end panel ① down, gently offer the top, base ② and back panel ③ onto the end panel ① so that the locking cams engage with the cam studs as shown. Using a cross headed screwdriver lock the base panel to the end panel by turning clockwise.

Gently offer the opposite end panel ① onto the assembly so that the cam studs line up with the locking cams and using a cross headed screwdriver, lock the end panel into place.



STEP 4

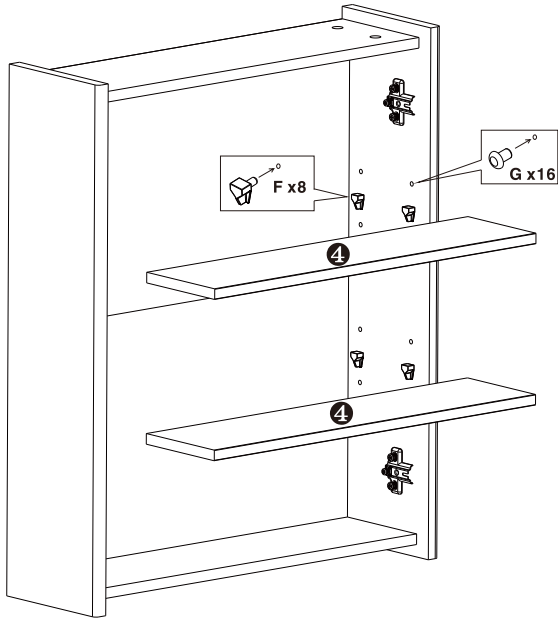
(i) Using a tape measure and pencil, mark out the internal fixing positions as shown.
(ii) Using a drill and an appropriate sized drill bit, drill the holes for your chosen wall fixings at the marked positions. Before drilling please check the positions have been correctly marked out.



To fix the cabinet to the wall, firstly offer the cabinet to the wall to its required fixing position. (iii) Ensure that the cabinet is plumb and square by using a spirit level. A second person maybe required to help with this. (iv) Using a bradawl mark the 4 fixing positions onto the wall. Drill the wall in the required positions and fit your chosen wall fixings. (v) Offer the cabinet back to the wall and fix into position using the appropriate fixings.

WHITE DOUBLE CABINET FITTING INSTRUCTIONS

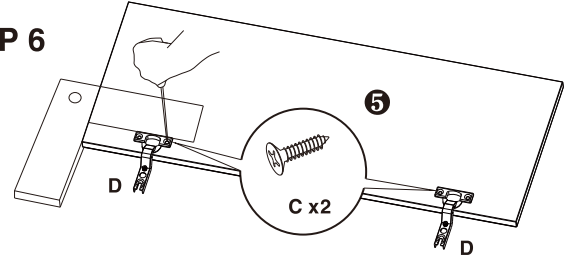
STEP 5



Fit 8 x shelf pegs F to the cabinet end panels as shown opposite by gently pushing them into place. Please note shelf positions can be changed to suit ones own requirements. Cover the remaining shelf peg holes with the 5mm cover caps G by gently pressing them into position.

Carefully position the 2 loose shelves 4 on the shelf pegs (F) as shown opposite.

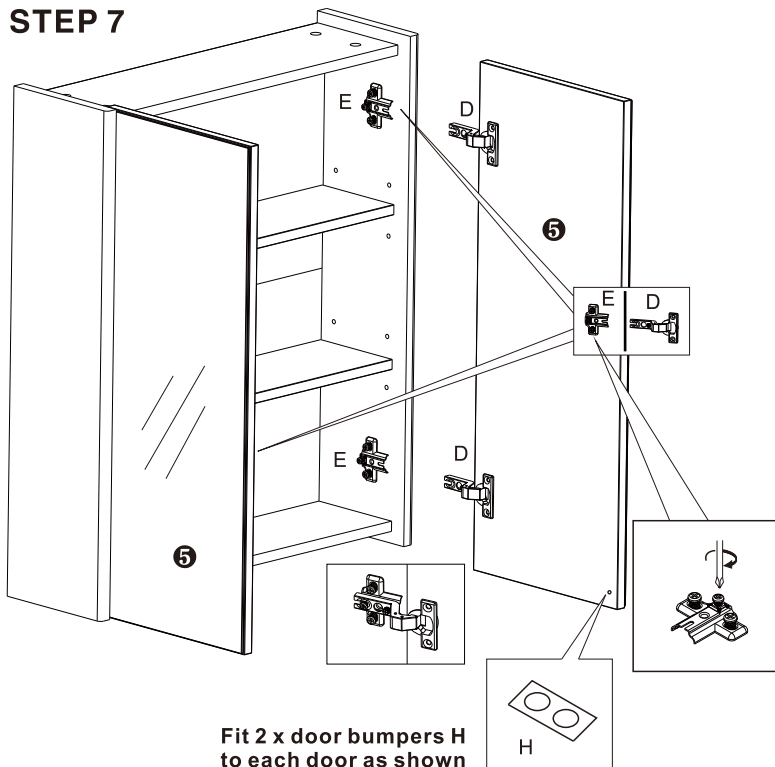
STEP 6



Carefully lay the mirrored door 5 face down onto a clean and debris free work space. Using a set square line both hinges D up on the door as shown. Mark the screw positions by using a bradawl or drill. Using a cross headed screwdriver fit both hinges to the door using 2 x wood screws C on each hinge. Repeat this process on the second mirrored door.

Hinge Adjustment

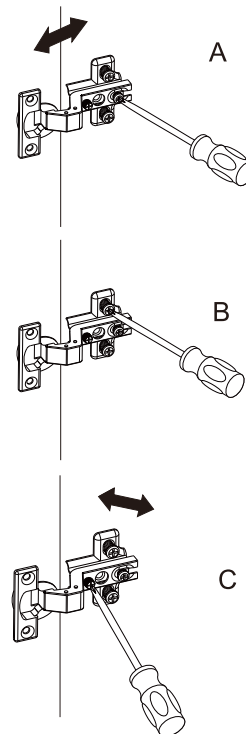
STEP 7



Fit 2 x door bumpers H to each door as shown

To fit the mirrored door to the cabinet, carefully offer the mirrored door to the cabinet so that the hinge arms on the hinges D fit over the hinge plates E. Lock the mirrored door into position by using a cross head screwdriver and tightening the central screw on the hinge plates E.

Before letting hold of the door make sure that the door is securely held in place. To adjust the hinges follow the advice opposite.



To adjust the door in and out on the unit loosen the screw as illustrated on both of the hinges and move the door to the required position. Then re-tighten to lock into position.

To adjust the door up and down, loosen both screws as illustrated on both hinges and move the door to the required position. Re-tighten all screws after.

To adjust the door left & right on the unit, turn the screw as illustrated on both hinges.

CLEANING

1. To maintain the pristine condition of this cabinet, wipe away any water splashes after use.
2. Clean with a soft damp cloth only.
3. Do not use cream cleaners or those containing bleach or abrasive cleaning agents as this may damage the surface of the product,
4. Do not scrub or scour.