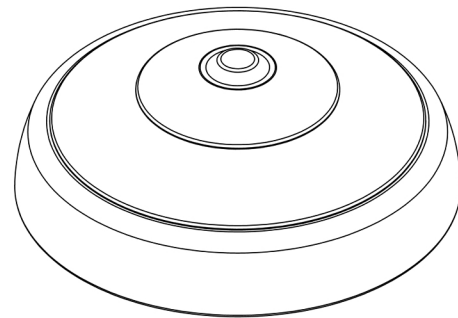


# Magnum

## Rechargeable LED Battery Light With PIR Sensor



**SE3300N0** - Stainless Steel

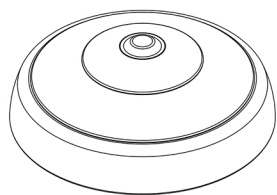
**SE3301N0 & SE3391N0** - Polished Chrome

### INSTALLATION INSTRUCTIONS

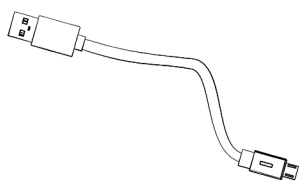
**IMPORTANT:** Please read these instructions before commencing installation and retain for future reference.

#### Components

#### Tools Required



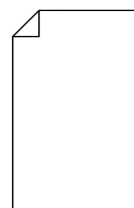
Magnum LED Rechargeable  
Battery Light



USB To Mini USB Charging Cable



Magnet



1 x Instructions  
Manual



Pencil

#### Important Safety Information

Please read these instructions carefully before attempting to install this product. It is advisable to keep these instructions in a safe place for future reference.

These products must not be modified, if any modification are made, it may invalidate the warranty and may render the product unsafe.

This product is for indoor use only. Keep out of moisture and use only in dry rooms.

#### Waste Electrical & Electronic Equipment (WEEE)

The symbol on the product, or on the document accompanying the product, the crossed out wheellie bin symbol, indicates that this product may not be treated as household waste. Instead it shall be handed over to the applicable collection point for the recycling of electrical and electronic waste.



**RoHS**  
Compliant ✓

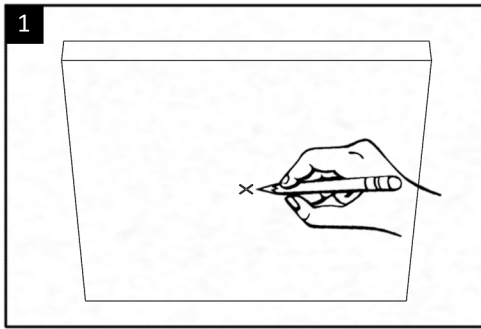


Sensio House, Unit 7, Speedwell Road, Whitwood, Castleford, West Yorkshire, WF10 5PY

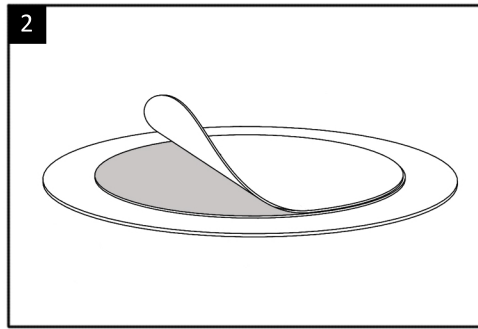
[www.sensio.co.uk](http://www.sensio.co.uk)

Technical drawings for illustration purposes only, Sensio has the right to change any information without prior notice.

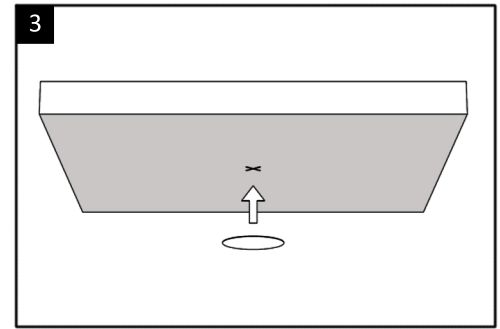
## Installation



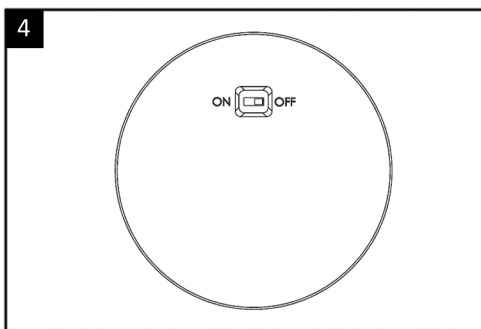
1 Mark the desired location for the Magnum light.



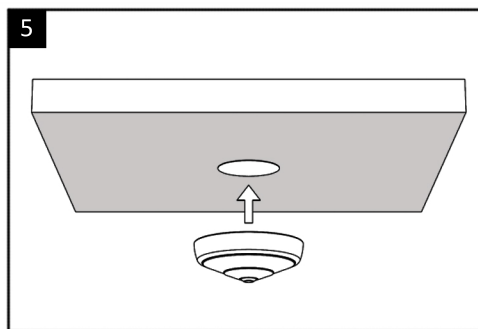
2 Peel the adhesive backing tape off of the magnet.



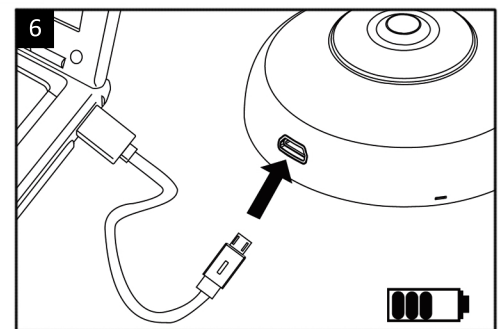
3 Stick the magnet in your desired location.



4 Ensure that the on/off switch located on the underside of the Magnum is switched to "On".

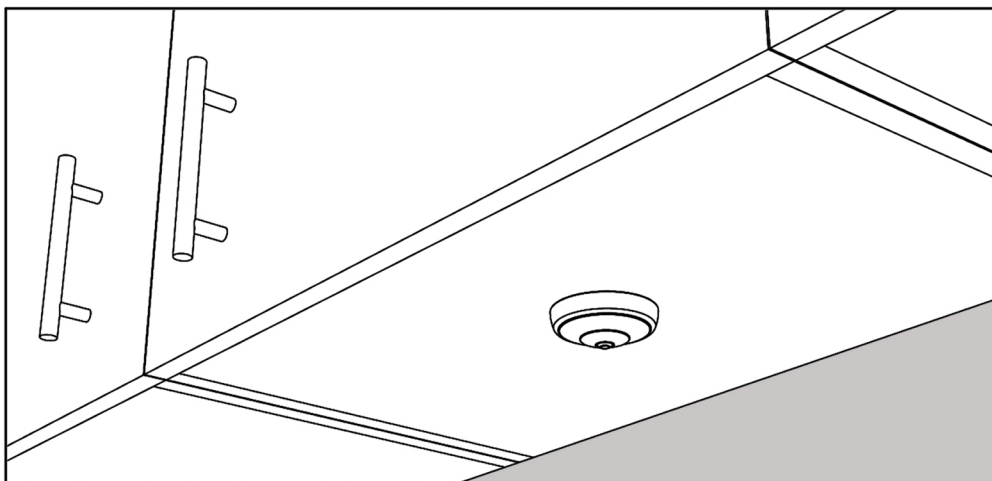


5 Stick the Magnum light onto the magnet.



6 When the Magnum light runs out of charge, insert the mini USB adapter and plug it into a source of power until fully charged.

## Operation



The Magnum battery operated cabinet light has a rechargeable battery and an integrated PIR Sensor. The battery is rechargeable using the integrated USB port.

The integrated PIR enables the unit to stay lit when movement is detected or when the cabinet door is opened. If no movement is detected, the unit will switch off after 10s.

## Maintenance & Care

- Ensure that the power is disconnected prior to cleaning.
- To keep the finish of this product, wipe over with soft cloth periodically.
- Do not use harsh chemical solvents, this may dis-colour or damage the finish.