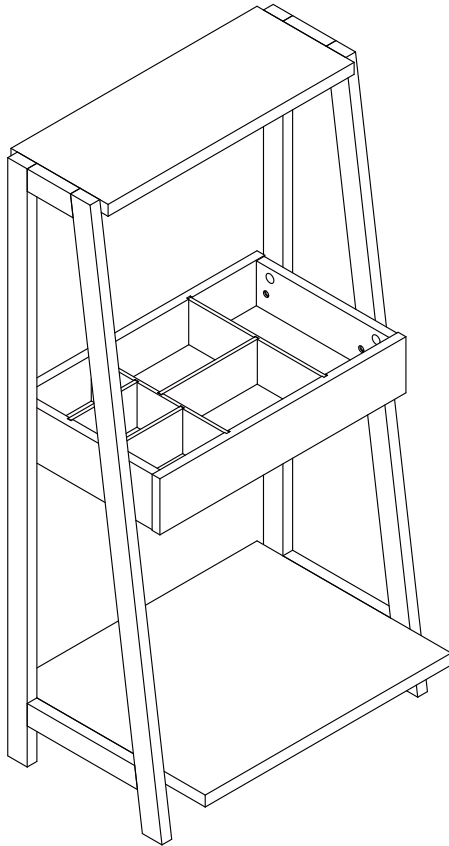


Bamboo Storage Unit Fitting Instruction

253398



Before fitting the unit

- Check the pack and make sure that you have all parts.
- When you are ready to start, make sure that you have the right tools on hand, plenty of space and a clean dry area for product assembly.
- Keep children away from the work area and remember that all small parts, plastic bags and tools should also be kept out of reach of children.
- Ensure there are no hidden service pipes and cables where you intended to drill.
- We do not recommend the use of power screwdrivers for the assembly of this product.
- Always ensure that screws locate exactly into pre-drilled pilot holes.
- Take care not to overtighten any of screws or any other fixings.

Fitting the unit

Using a spirit level and the unit as a template, mark the drill holes in the required location. Always double-check the position and your measurements of the product before drilling the holes.

Fixing tip: A piece of insulating tape or a couple of layers of masking tape applied to the wall before marking out the fixing holes will help stop the drill from wandering on tiled surfaces.

Warning

- In order to prevent overturning/falling down this product must be fastened to the wall.
- Wall fixings are not supplied with this pack as they will vary according to the type of walls you have. Ensure correct wall fixings are used for wall type.
- Do not fix to newly plastered or papered walls as chemical reactions can cause discolouration of the surface finish. When working near a basin or bath, insert the plug into the waste to avoid the possibility of losing any small parts.

Cleaning

- Use a soft dry cloth to clean the surface of the unit.
- Do not leave any standing water on the unit. Remove any water immediately.
- Never use any solvents, scourers, abrasives, bleach, acids, strong detergents, aggressive chemical cleaners or solvent-type cleaning solutions on the product.

Regular checking







Check to ensure that all components and fixings of this product are secure, do not use if you have any doubts about its fitness for purpose. Ensure that your bathroom is well ventilated and avoid placing furniture near the bathtub or shower.

For more products in the bamboo storage range, please visit www.wickes.co.uk

Parts Supplied

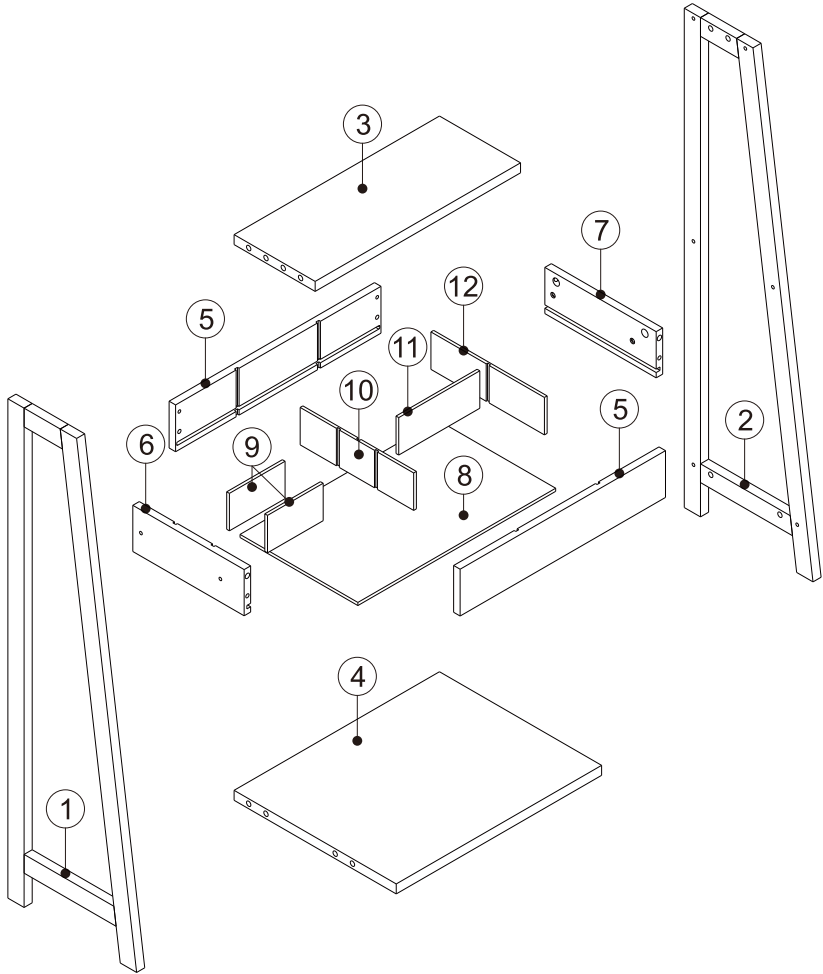
CODE	DESCRIPTION	QTY
1	Left Side Board	1
2	Right Side Board	1
3	Top Board	1
4	Bottom Board	1
5	Board For Drawer	2
6	Left Side Board For Drawer	1
7	Right Side Board For Drawer	1
8	Bottom Board For Drawer	1
9	Shelf 9	2
10	Shelf 10	1
11	Shelf 11	1
12	Shelf 12	1

Fittings Supplied

CODE	ILLUSTRATION	DESCRIPTION	QTY
13		Connector Ø12x10	4
14		Connector Ø15x10.5	8
15		Cover	16
16		Wood Plug Ø6x30	4
17		Wood Plug Ø8x30	8
18		Screws M4x18	4

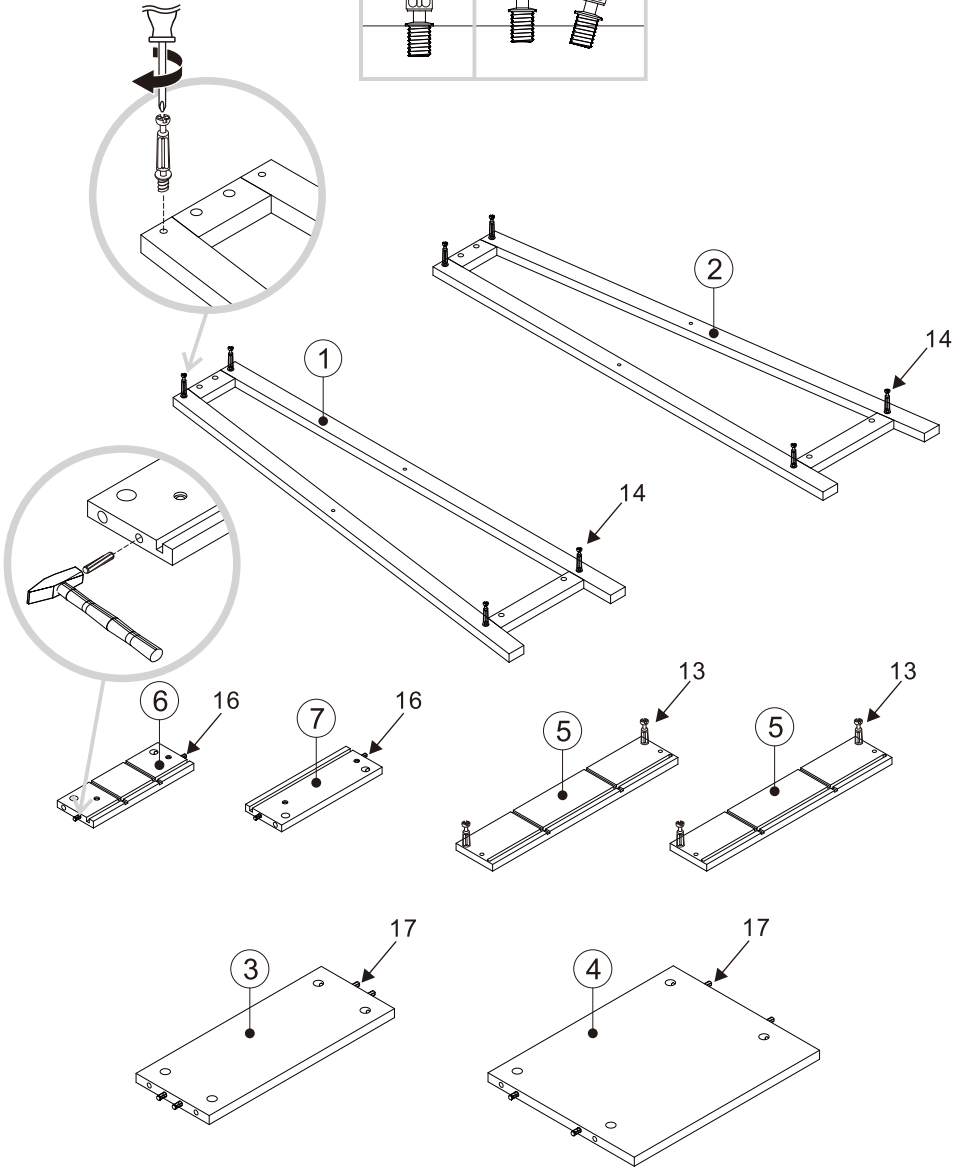
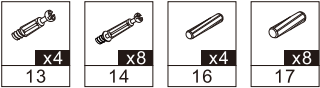
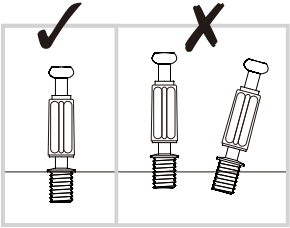
Tools Required(not supplied)

						
cross headed screwdriver	hammer	pencil	tape measure	electric drill	drill bit	spirit level



Fitting Instruction

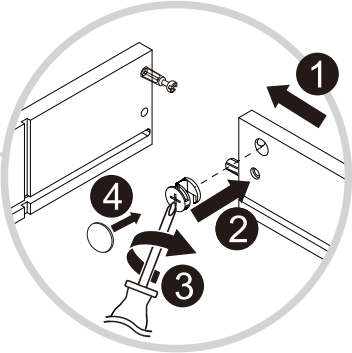
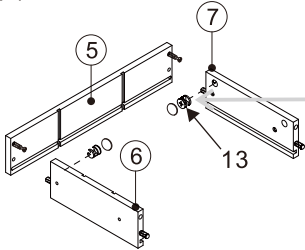
• Step 1



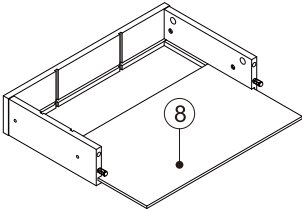
Fitting Instruction

• Step 2

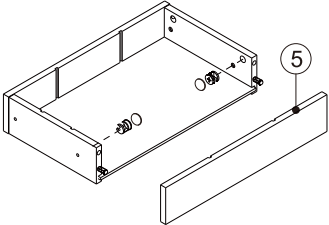
2-1



2-2

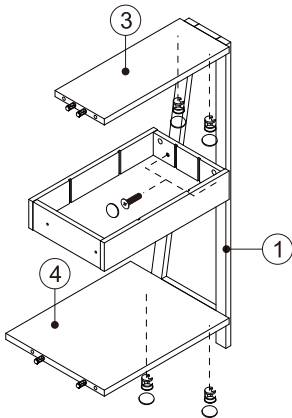


2-3

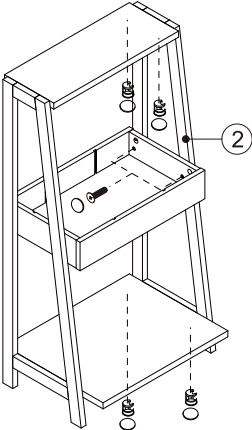


• Step 3

3-1



3-2



Fitting Instruction

- Step 4

