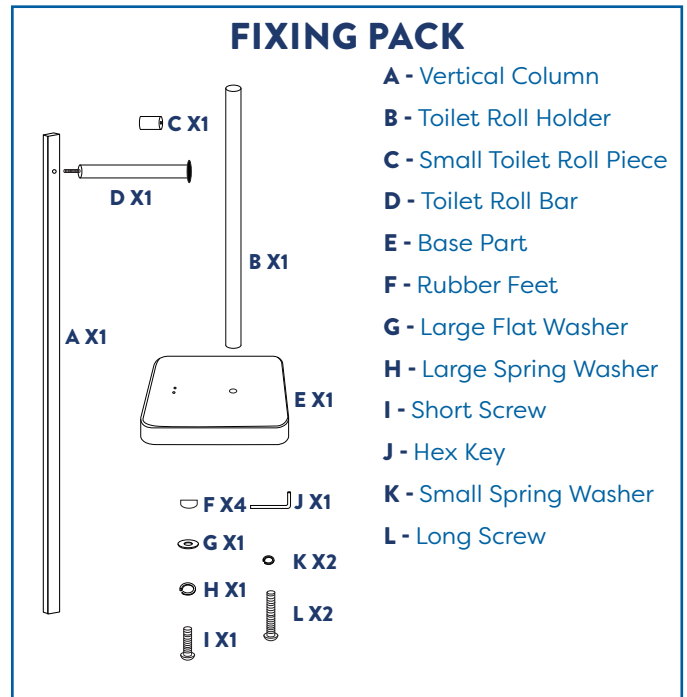
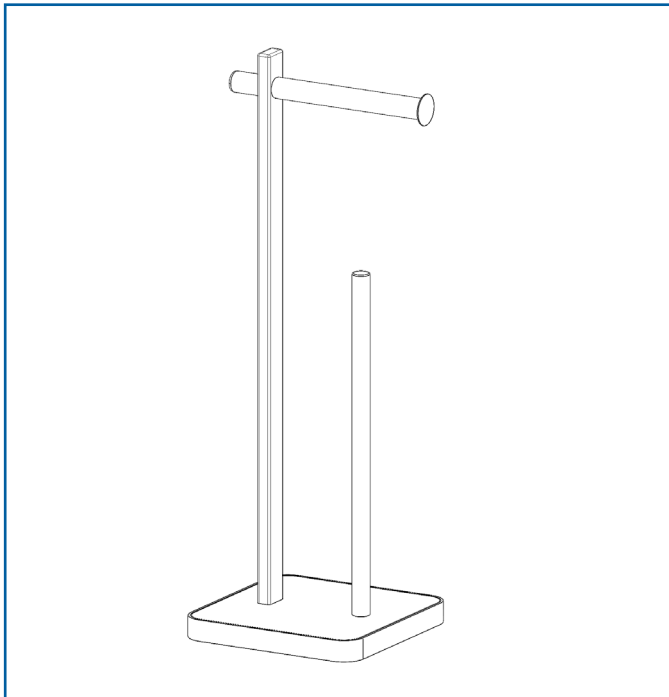


PA8200## - TOILET ROLL HOLDER WITH BAMBOO BASE



CONTACT DETAILS

UK: Croydex, Central Way, Andover, Hampshire, SP10 5AW, UK

EU: MIL, Unit 8 Purcellsinch Ind Est, Dublin Road, Kilkenny, R95 HP71, Ireland

Tel: +44 (0)1264 365 881

Email: info@croydex.co.uk

Web: www.croydex.co.uk

ALL ILLUSTRATIONS OF THE PRODUCT ARE FOR REFERENCE ONLY. COMPONENTS SUPPLIED WITH INDIVIDUAL PRODUCTS MAY DIFFER

ALL PRODUCT DIMENSIONS DETAILED IN THIS INSTALLATION AND MAINTENANCE MANUAL ARE APPROXIMATE

SECTION 1 - INTRODUCTION

- Please follow the instructions provided to ensure that your product is assembled and fitted safely, and retains its high quality finish.
- Before attempting to fit or use this product, ensure that it can be properly installed in the desired location.

PLEASE RETAIN THIS MANUAL FOR FUTURE REFERENCE



ALWAYS CHECK THE PACKAGING FOR FIXINGS AND PARTS BEFORE THROWING AWAY AND RECYCLING.

PLEASE READ THROUGH AND FULLY UNDERSTAND THE INSTRUCTION LEAFLET BEFORE STARTING THE ASSEMBLY OF THIS PRODUCT.

ENSURE YOU HAVE ALL THE FIXINGS AND PARTS BEFORE ATTEMPTING TO ASSEMBLE OR FIT THIS PRODUCT.

SAFETY & PRODUCT CARE

- DO NOT** use power tools for assembling the product including power drills or power screwdrivers.
- DO NOT** use abrasive or chemical cleaners as these may damage the product.
- ALWAYS** clean the product regularly with a soft damp cloth to retain the best quality finish.



SECTION 1 - ASSEMBLY

1. Using the included Hex Key (**J**) attach the Vertical Column (**A**) to the Base Part (**E**) using two Long Screws (**L**), two Small Flat Washers (**K**) and two Small Spring Washers (**K**). The Small Flat Washers (**K**) should be located between the Base Part (**E**) and the Small Spring Washers (**K**). **DO NOT OVERTIGHTEN!** (See Fig. 1)

2. Using the included Hex Key (**J**) attach the Toilet Roll Holder (**B**) to the Base Part (**E**) using one Short Screw (**I**), one Large Spring Washer (**H**) and one Large Flat Washer (**G**). The Large Flat Washer (**G**) should be located between the Base Part (**E**) and Large Spring Washer (**H**) **DO NOT OVERTIGHTEN!** (See Fig. 1)

3. Peel four Rubber Feet (**F**) from the backing paper and stick them onto the underside of the Base Part (**E**) in all four corners. (See Fig. 1)

4. Pass the threaded section of the Toilet Roll Bar (**D**) through the corresponding hole in Vertical Column (**A**) and secure in place by tightening the Small Toilet Roll Piece (**C**) onto the threaded section. **DO NOT OVERTIGHTEN!** (See Fig. 1)

Fig. 1

