

Bath Panels Fixing Instruction

Materials Required:

6*25mm Wood screws (not provided)

Various lengths 38*25mm treated softwood batten (not provided)

ABS Connector part ①

ABS Connector part ②

3*16mm Screws ③

Edging tape(not provided)

SKU 257483:

Ⓐx1
Ⓑx1
③x5

SKU 257484:

Ⓒx1
Ⓓx1
①x2
②x2
③x11

Tools Required:

Crosshead Screwdriver, Pencil, Bradawl, Tape Measure, Drill & Bits, Jigsaw/saw(not provided)

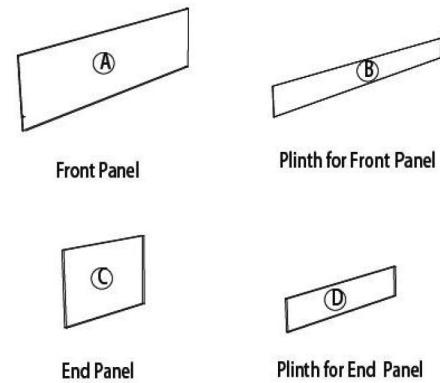
WARNING

Before fixing the batten to the floor, check for hidden power cables and water pipes. The use of a residual current device (RCD) is recommended.

Front and End Panel Assembly & Preparation

- Measure from the floor to the underside of the bath rim and attach the plinth using screws provided ③ to the back of the bottom of the panel to match this height. (see ③ in Fig 1, Fig 2)
- It may be necessary to trim the panels to fit around skirting boards or pipes. We recommend that edging tape is used to seal any edges of the panel that have been cut to prevent water ingress. They are available in a variety of colours from www.wickes.co.uk or from your local store and you can find them listed as edging tape.
- If panel length needs to be reduced ensure the panel is cut at the wall end. Seal using edging tape, PVA or alternatives.

PARTS LIST



HARDWARE LIST

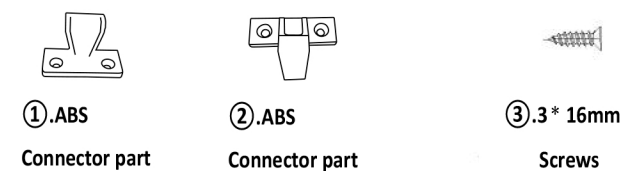


Fig 1

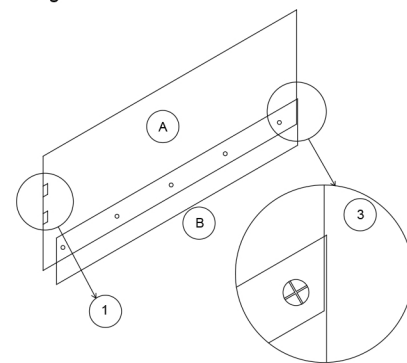
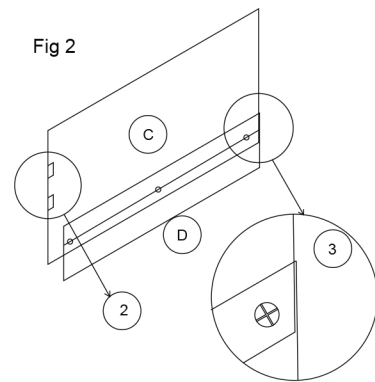


Fig 2



End Panel Installation

- Once the panel has been correctly sized, screw a 38*25mm softwood batten (not provided), to the floor, inset from the outside edge of the bath (Fig 3). Located so that the panel will be vertical.
- Tuck the top of the panel under the rim of the bath and check for alignment, if not aligned adjust as necessary.
- Remove the panel and drill three evenly spaced holes along the length of the plinth, 12mm up from the bottom edge. (Fig 4)
- Use the screws provided ③ to attach the ABS connector ② to the back of the end panel in the suitable location. So that the two parts of the ABS connector ① ② can be joined together.

Refit panel and secure to the batten with 6*25mm wood screws (not provided).

Front Panel Installation

- Assemble side panel as described above. (Fig 3)
- Tuck the end panel under the rim to check for alignment.
- Remove the panel and drill five holes 12mm from the bottom edge of the plinth.
- Use the screws provided ③ to attach the ABS connector ① to the back of the front panel in the suitable location.
- Secure end panel and the front panel by using the ABS connector ①②.
- Secure end panel to wood batten by using 6*25mm wood screws (Not provided). (Fig4)

It is recommended that silicone sealant is put around the edges of bath panel and plinth to stop any moisture ingress.

Care Instructions

To clean the panel, use a soft damp cloth and a mild soap solution.

Fig 3

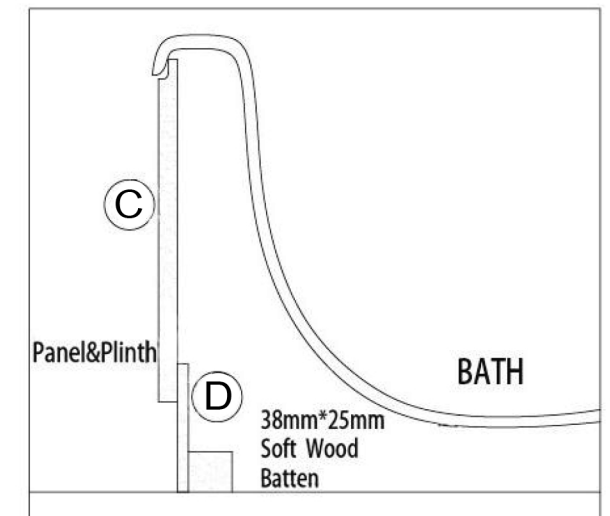


Fig 4

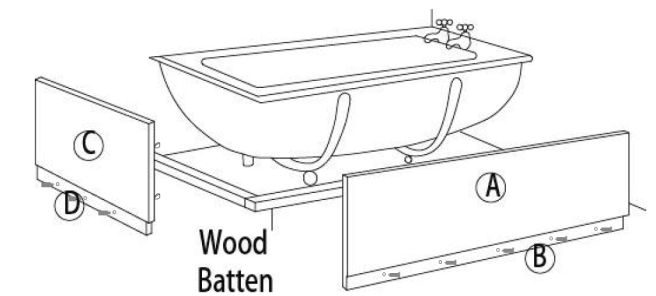
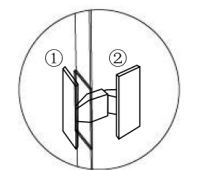
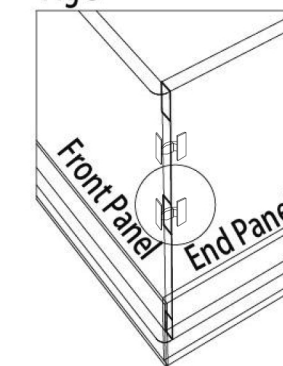


Fig 5



ABS Connector