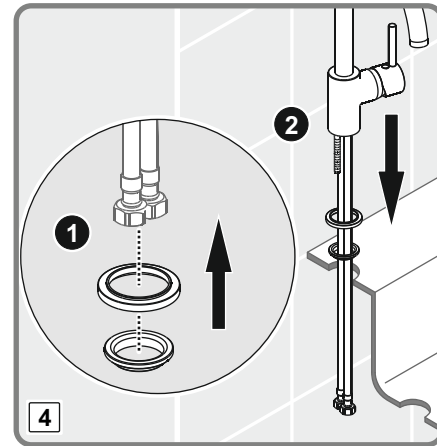
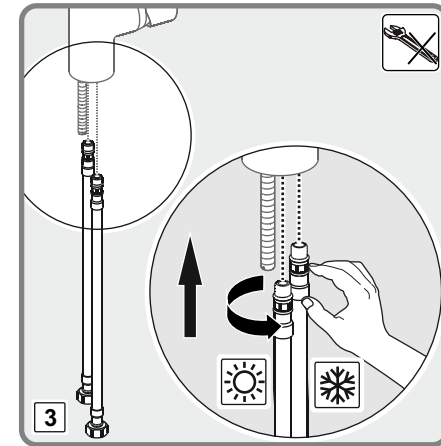
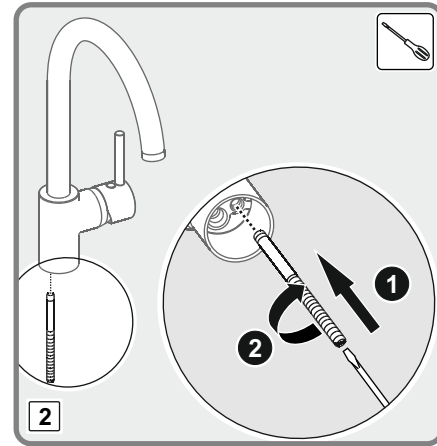
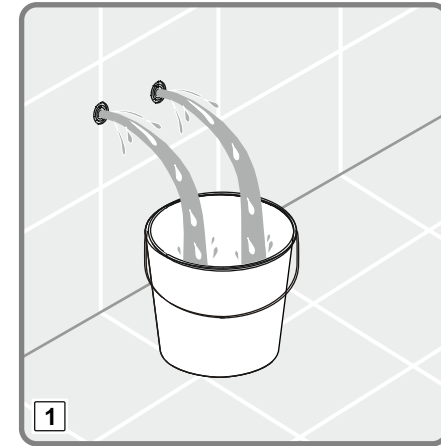
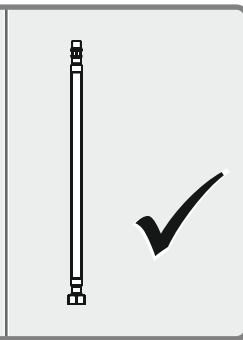
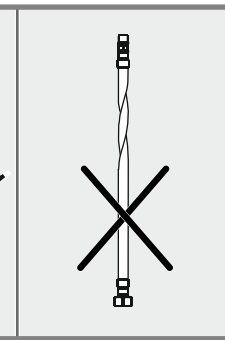
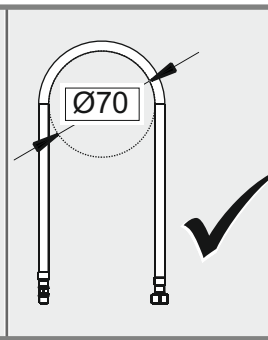
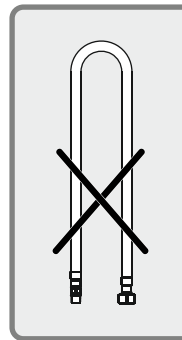
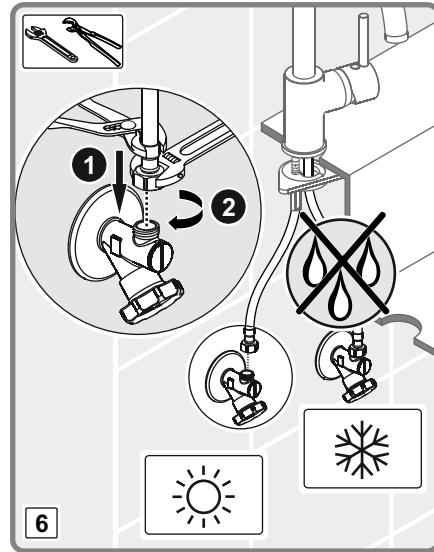
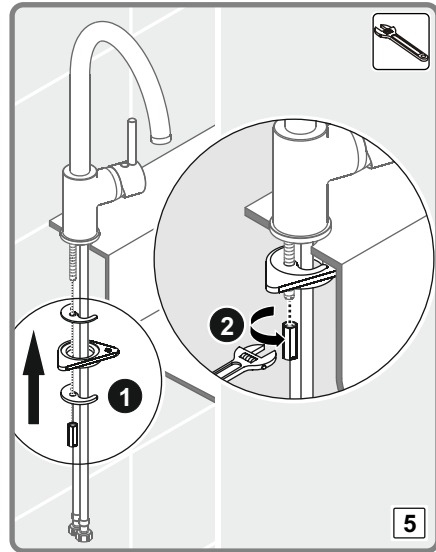


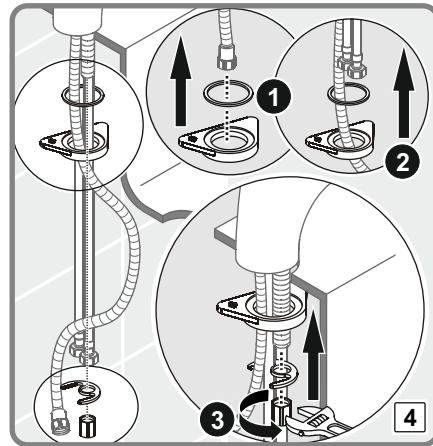
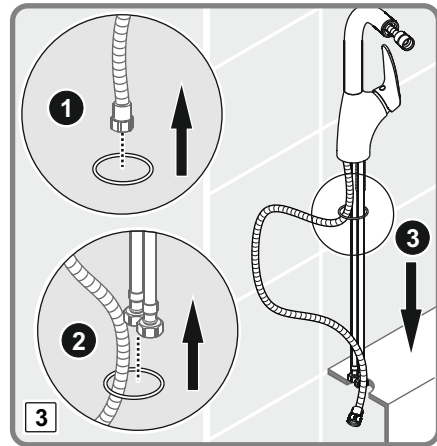
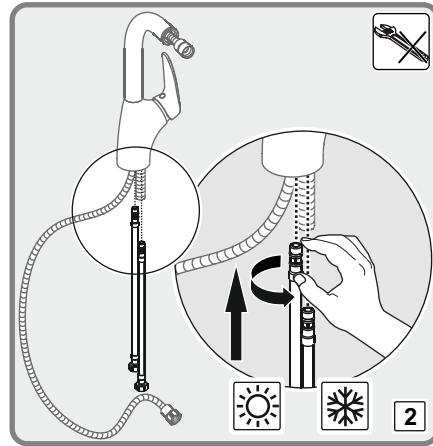
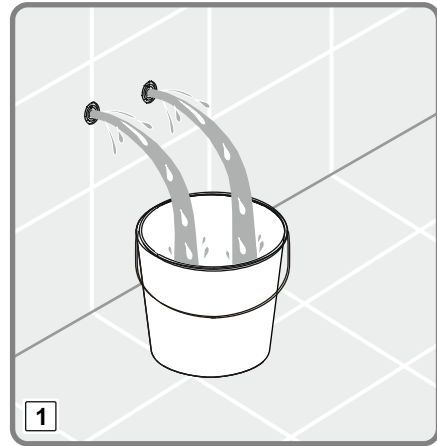
VitrA



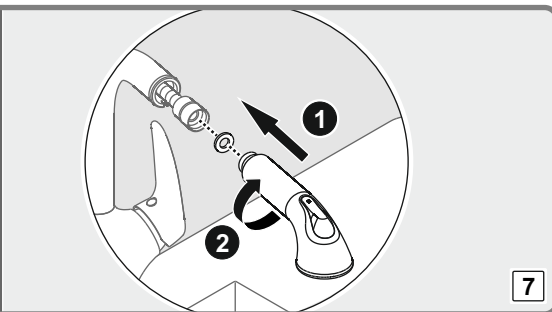
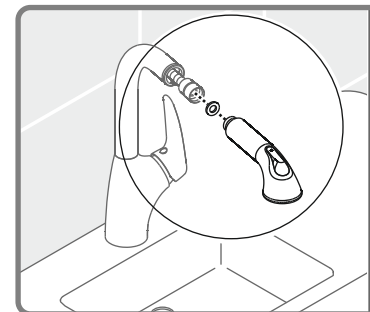
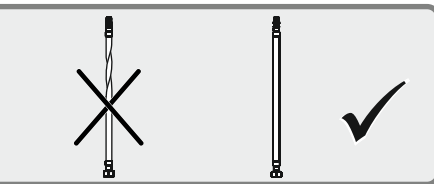
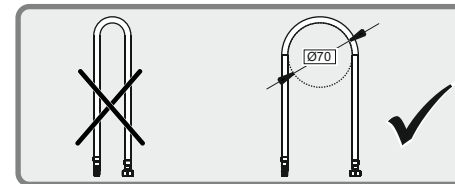
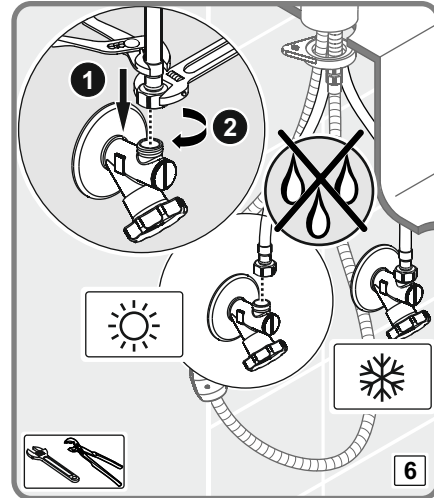
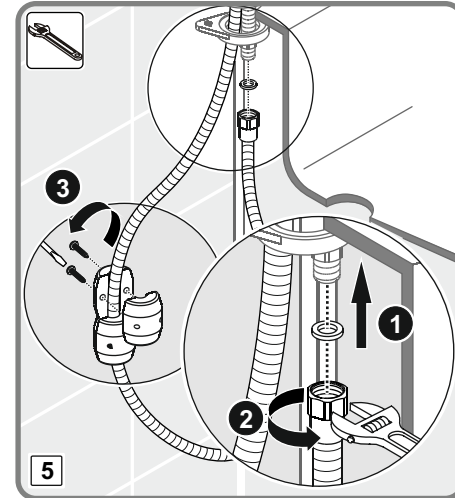
VitrA

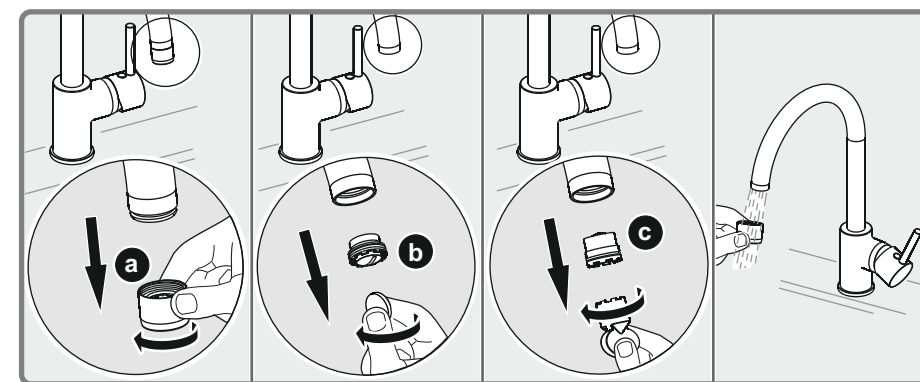
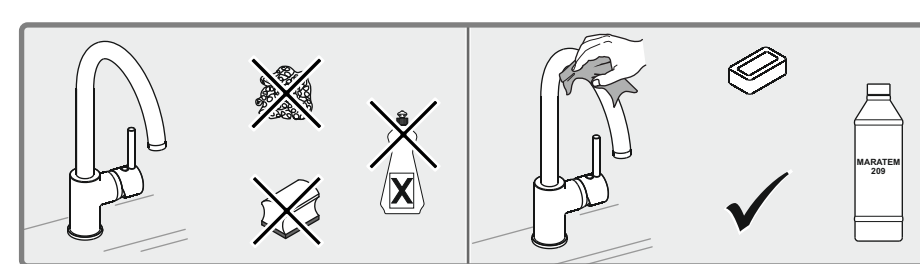
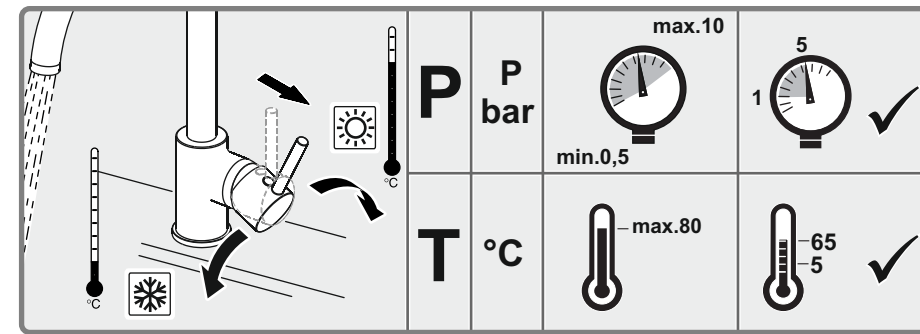
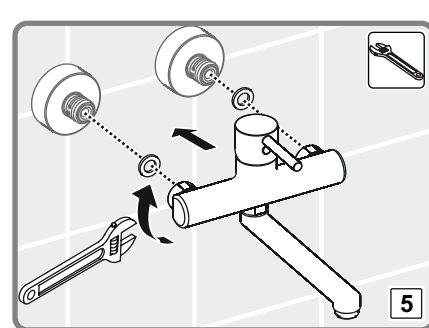
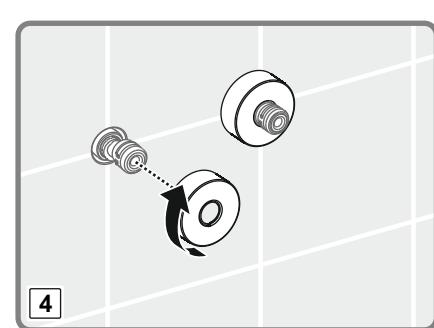
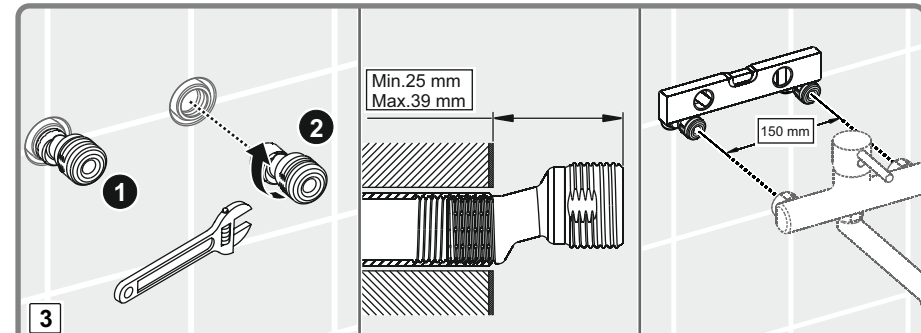
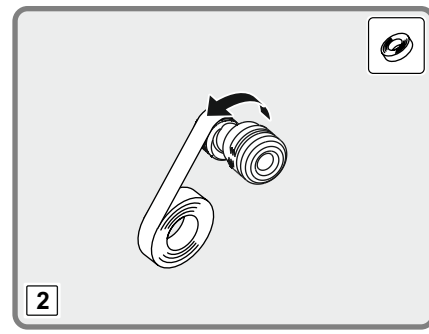
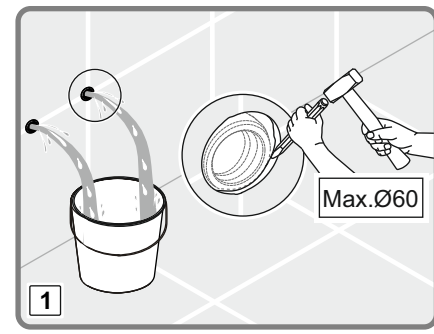
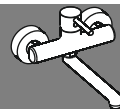
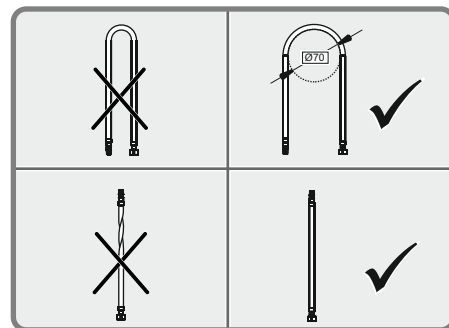
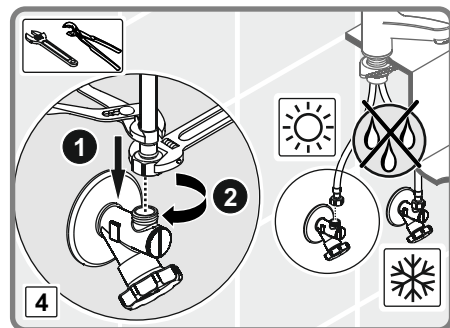
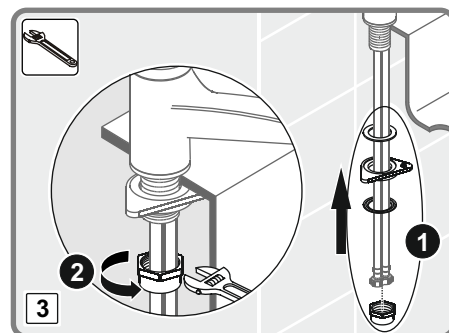
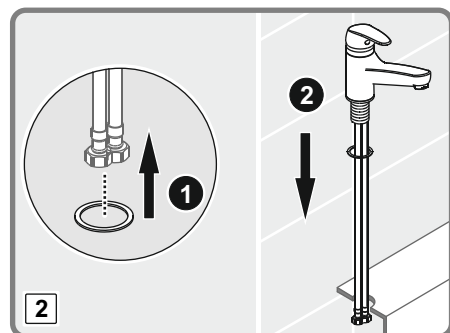
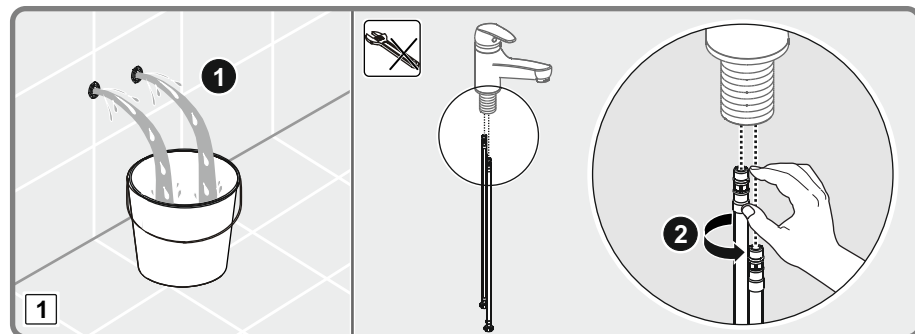


VitrA

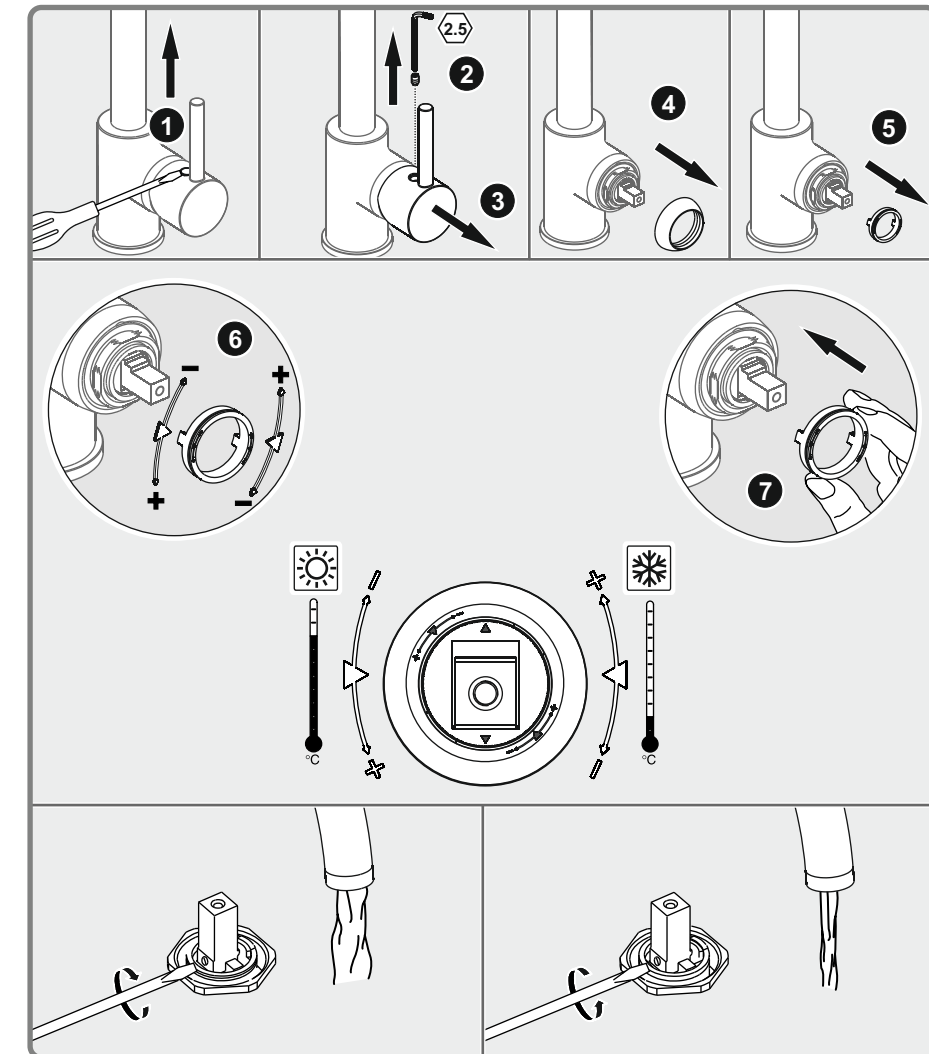


VitrA





TEMPERATURE & FLOW RATE ADJUSTMENT



*The feature of temperature and flow rate adjustment is valid for certain models.