

NL20T8100WK

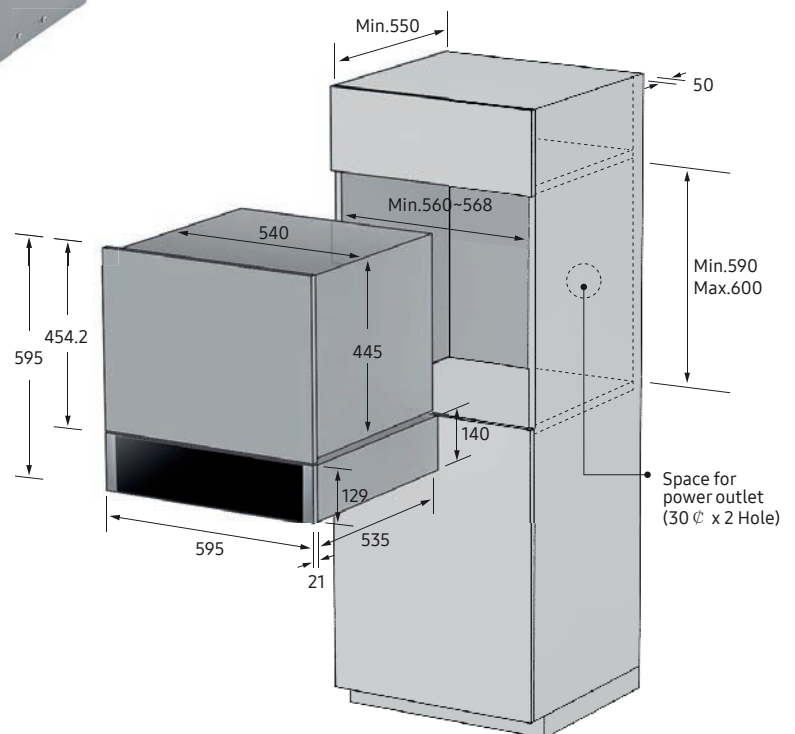
Warming Drawer

SAMSUNG



Key features

- Complementary design to compact oven
- Defrosting (Temp. Ranges 30°C~80°C)
- Plate Warming
- Food Kept Warm
- Loading Weight: 20kg
- Fits a 60cm niche
- Stores accessories when not in use



Specifications

Maximum Electrical Load	420W
Hard-wired or Plug	Plug
Size	600 x 150mm
Cut-out	560 x 550 x 150mm
Handle	Push & Pull Door
Weight Capacity	25kg
Temp Range	30~80°C
Energy Consumption	420W
Safe Opening & Closing	Anti-slip Mat
Control	LED Status Lamp
Dimension	595 x 545 x 140mm
Remark	Push-pull Tolerance: 21mm Door Gap Between Compact and Warmer: 8mm

