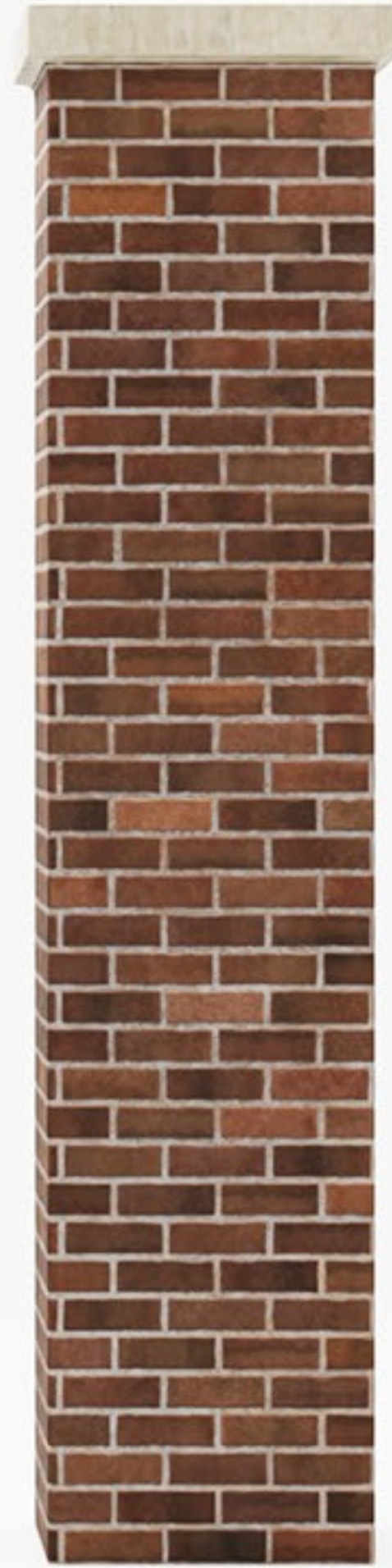


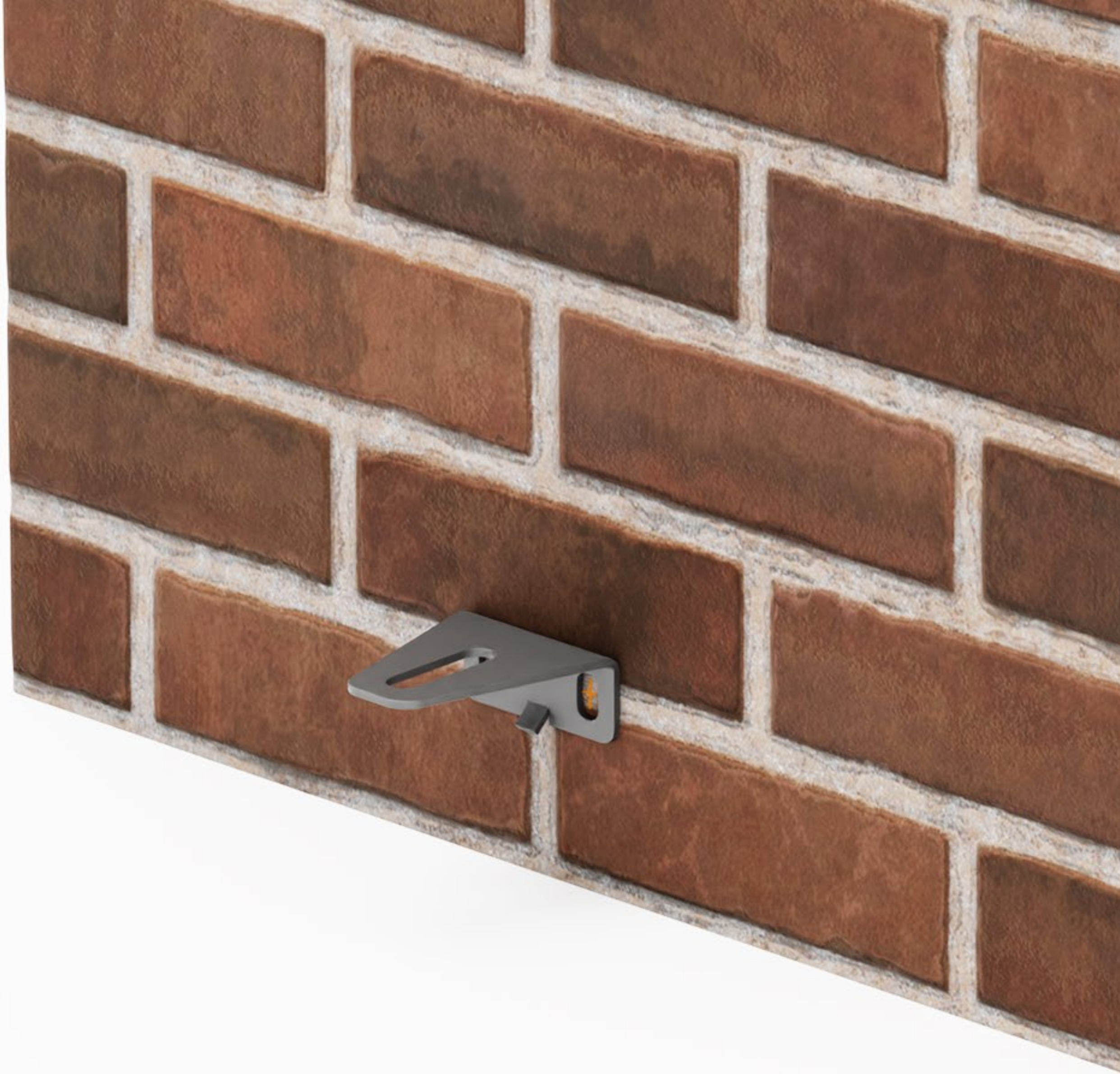
1: CHECK WIDTH OF OPENING



NOTES

- GATE WIDTH +30MM
- CHOOSE LH RH OPENING





2: MARK LOWER BRACKET

NOTES

- TWO X PLACES



3: DRILL WALL / BRICK



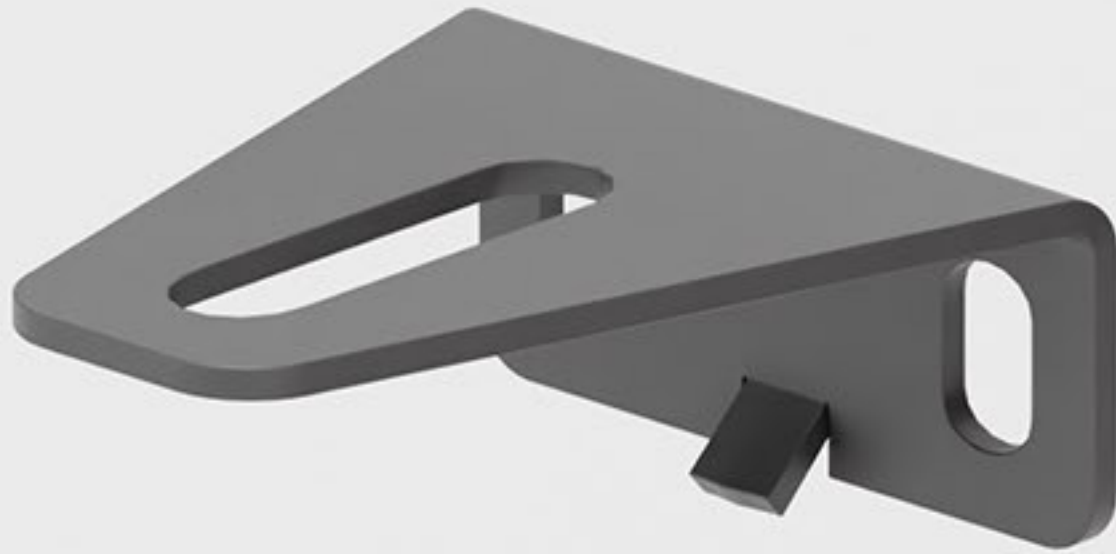
NOTES

- 10MM DRILL BIT
- MIN 50MM DEPTH

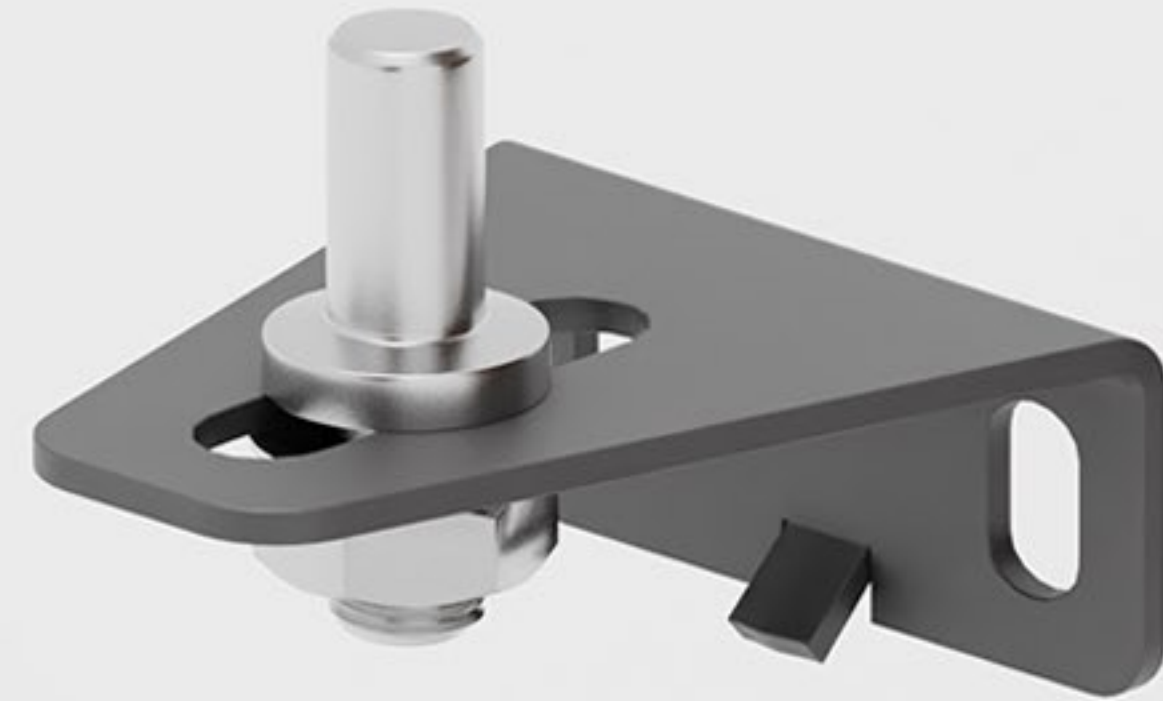


4: ASSEMBLE SPIGGOT

A)



B)



NOTES

- DO NOT OVER-TIGHTEN



5: FIX TO WALL

NOTES

- **M10 X 45MM BOLTS**
- **2 X PLACES**
- **WRENCH OR SOCKET SET**



6: PLACE GATE ON LOWER SPIGGOT

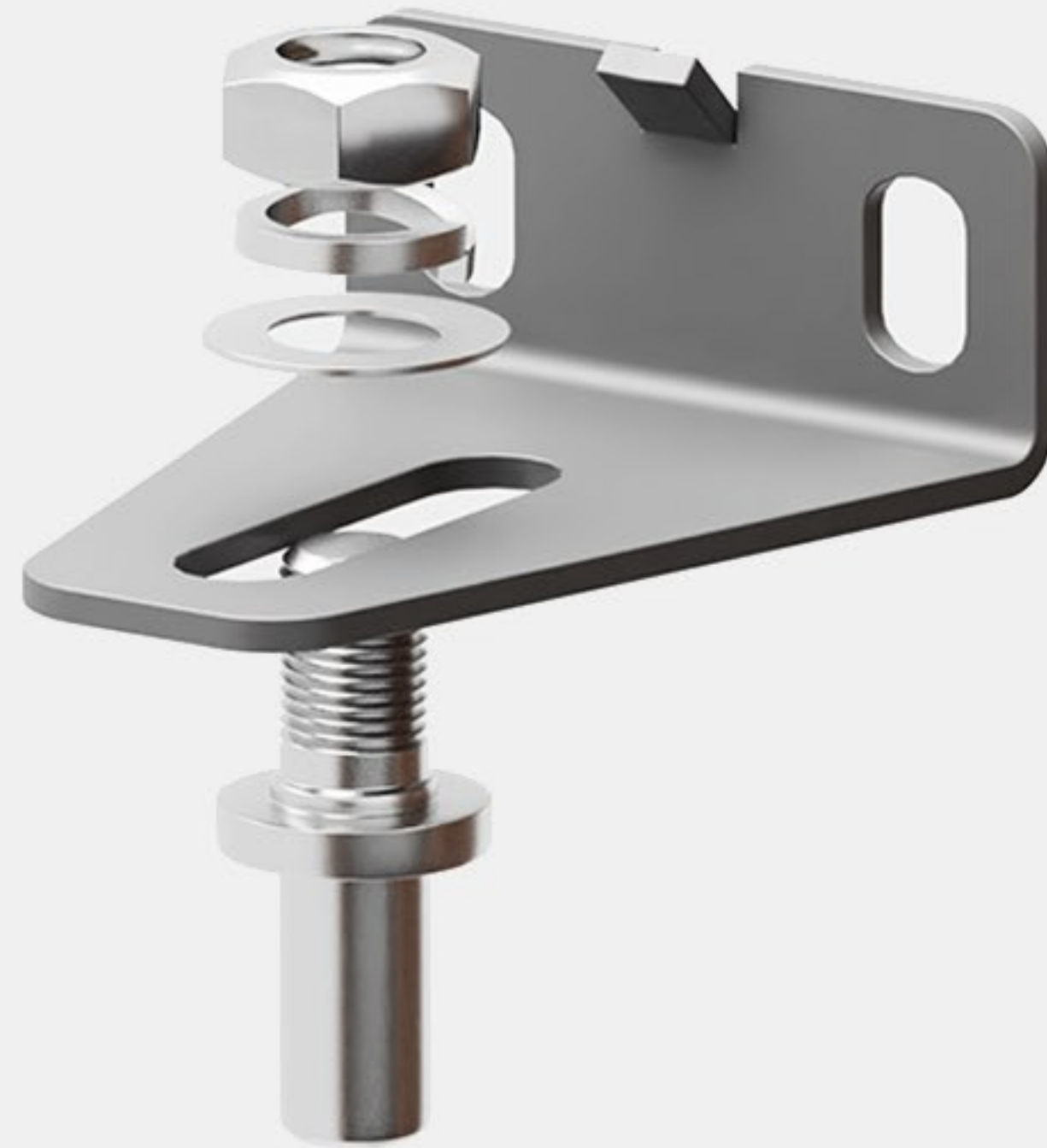


A)



B)

7: ASSEMBLE UPPER SPIGGOT



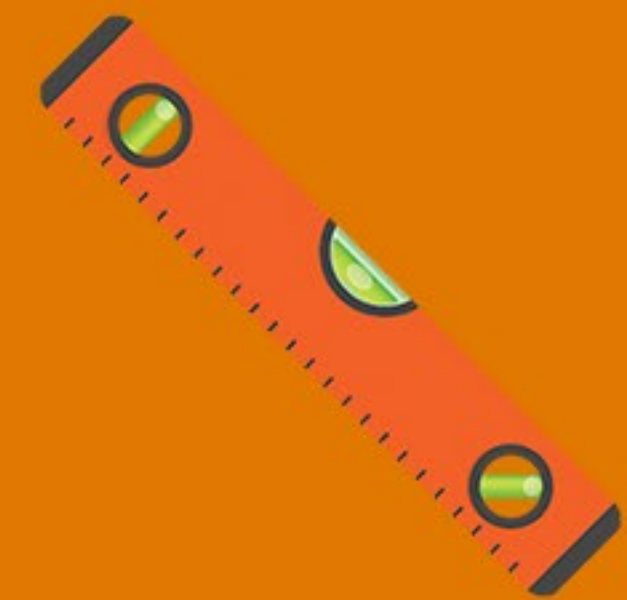
NOTES

- OPPOSITE TO LOWER BRACKET

8: MARK UPPER BRACKET

NOTES

- HOLD GATE SQUARE
- 2 X PLACES





9: DRILL HOLES x 2

NOTES

• **10MM DRILL**

• **50MM MIN DEPTH**

10: FIX TO WALL

NOTES

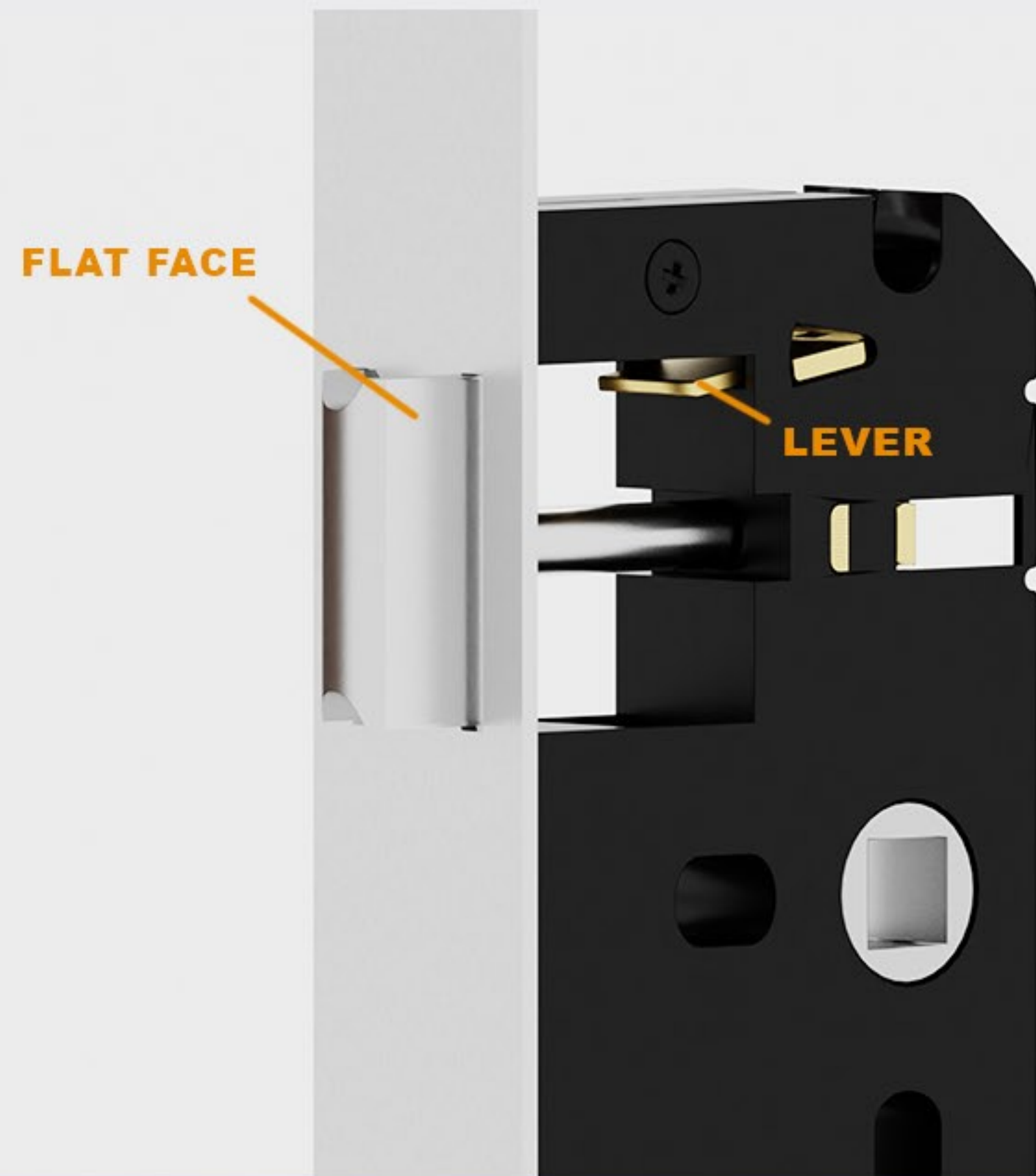
- M10 X 45MM BOLTS
- 2 X PLACES
- WRENCH OR SOCKET SET



11: LOCK ASSEMBLY



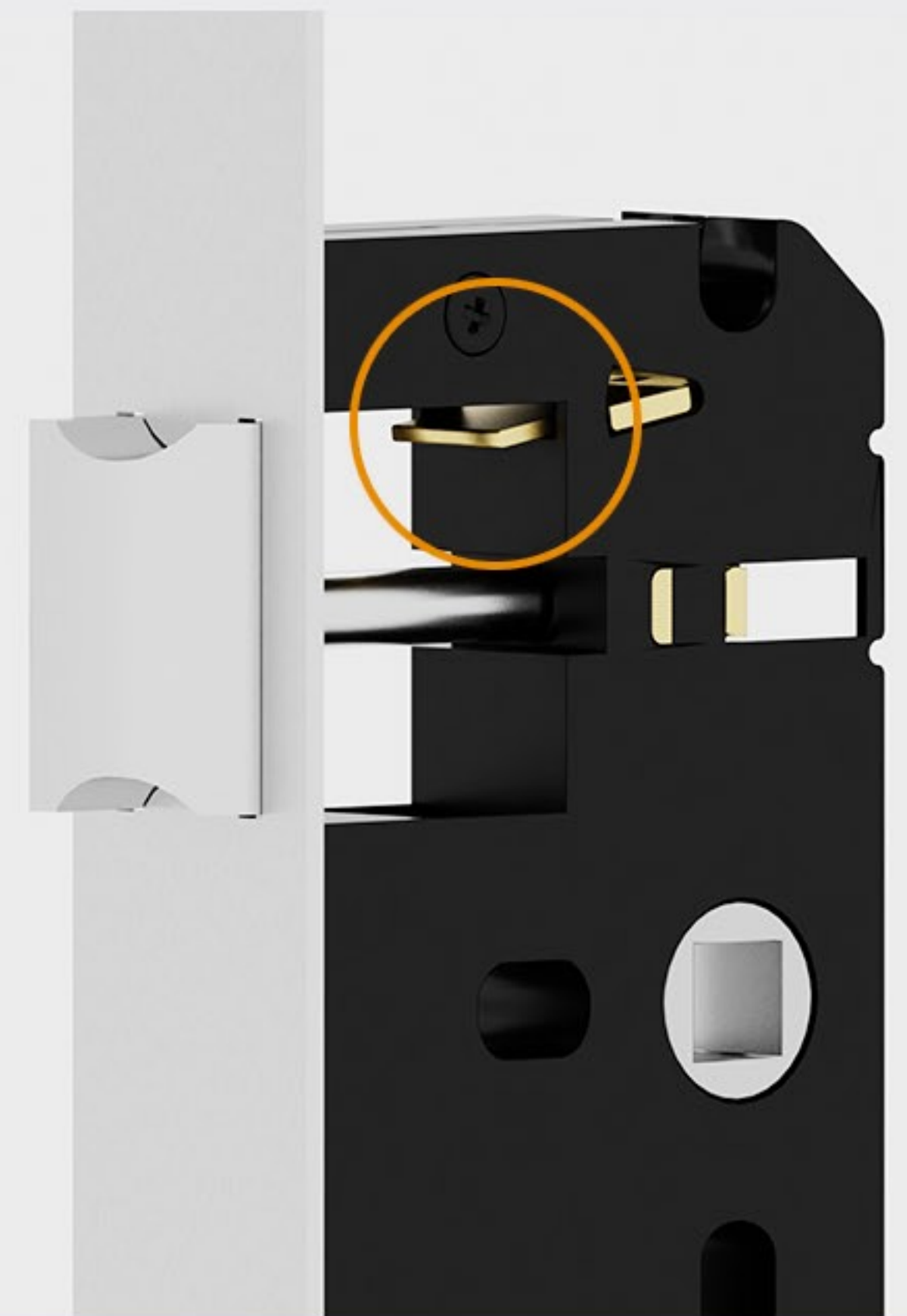
12: SET LATCH DIRECTION



A) SET FLAT FACE TOWARDS INSIDE OF GATE DIRECTION



B) TO CHANGE DIRECTION OF LATCH LIFT LEVER, DEPRESS LATCH AND ROTATE 180° INSIDE OF GATE DIRECTION



C) ONCE SET ENSURE LEVER FALLS BACK TO HOME POSITION

13: HANDLE ASSEMBLY



- **M4 X 25MM**
2 PLACES



- **INSERT LOCK**
- **INSERT SPINDLE**



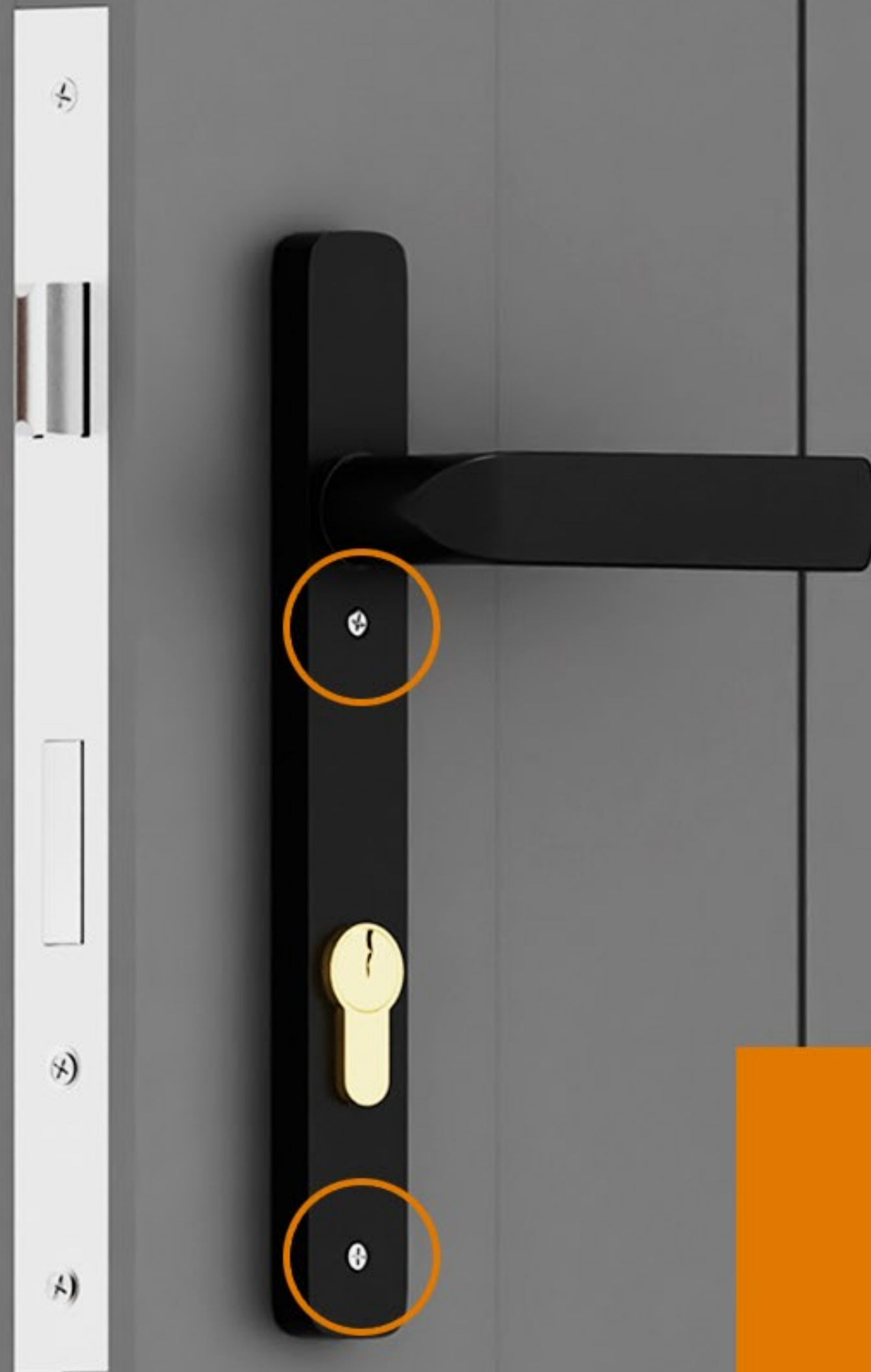
- **M4 X 45MM**
2 PLACES

14: HANDLE



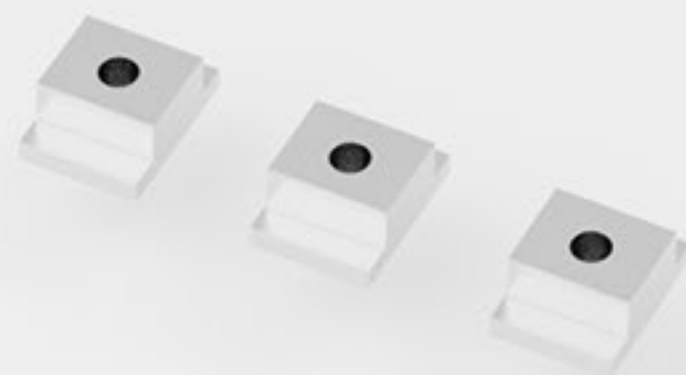
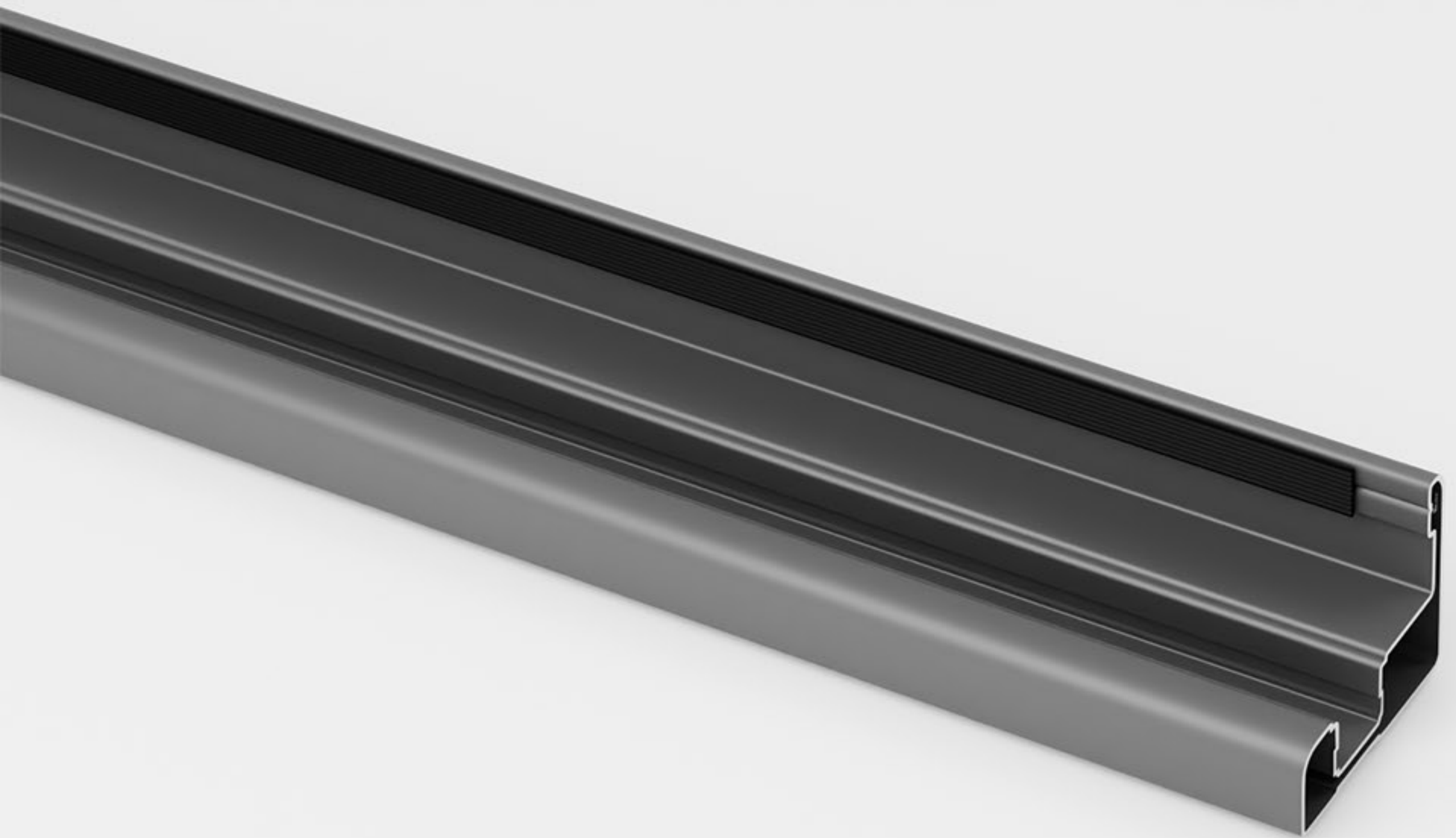
SET LH / RH HANDLE ENSURE FIXING HOLES TO INSIDE OF GATE

15: HANDLE



- **M4 X 60MM**
2 PLACES

16: LOCK KEEP



- **LOAD 3 x SCREW BLOCKS**

17: LOCK KEEP

- **SET TO APPROXIMATE CENTRE OF RAIL**



18: LOCK PLATE

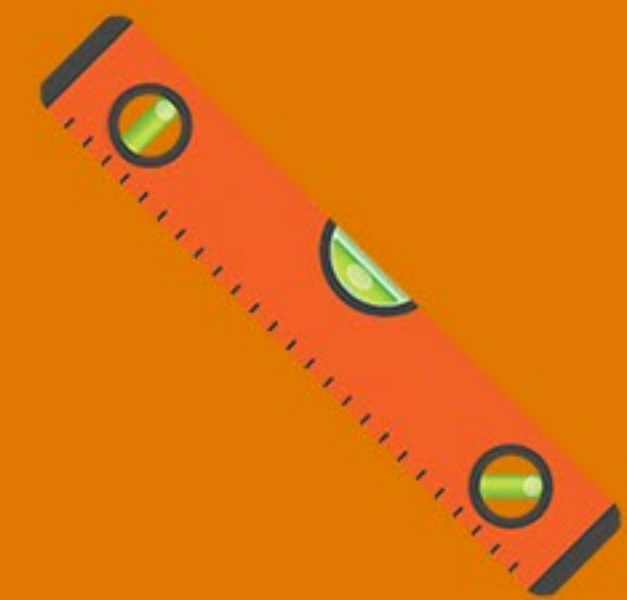
- **M4 x 25MM**
3 x PLACES





NOTES

- **HOLD SQUARE**
- **MARK 3 X PLACES**



19: MARK LOCK KEEP



20: FIX LOCK KEEP

NOTES

- 8MM DRILL
- 50MM MIN DEPTH
- 3 x WALL PLUGS
- M6 x 45mm BOLTS



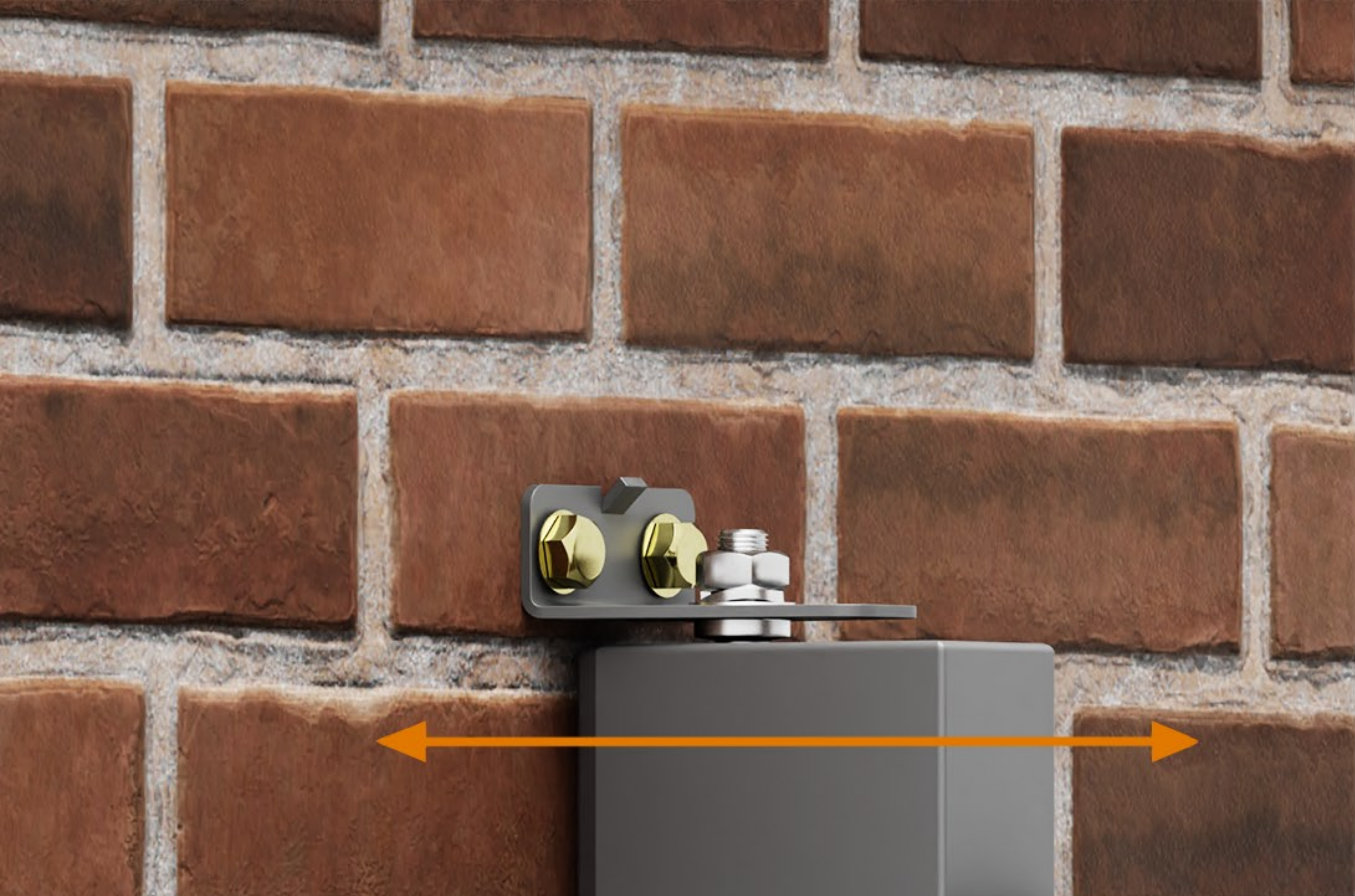


21: ADJUST LOCK KEEP

SET HEIGHT TO LATCH



22: CUT COVER PLATE TO LENGTH - 2 x PLACES



23: FINAL ADJUSTMENTS

NOTES

- **SLACKEN BOLTS**
- **ADJUST TO LATCH**
- **2 x PLACES**





24: FIT HINGE CAPS - 2 x PLACES

PROJECT COMPLETE

