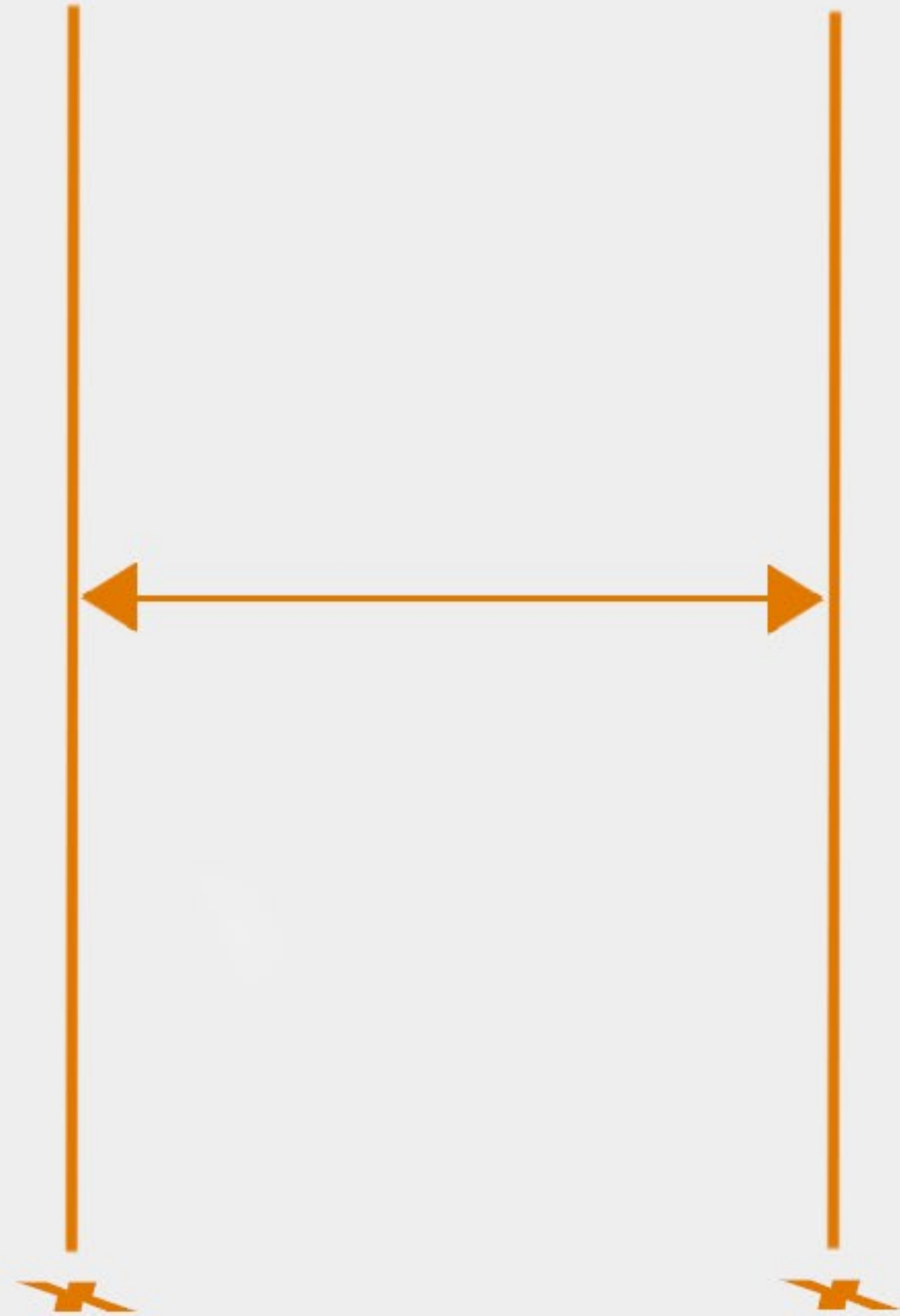


1: MARK APPROX POSITION OF POSTS

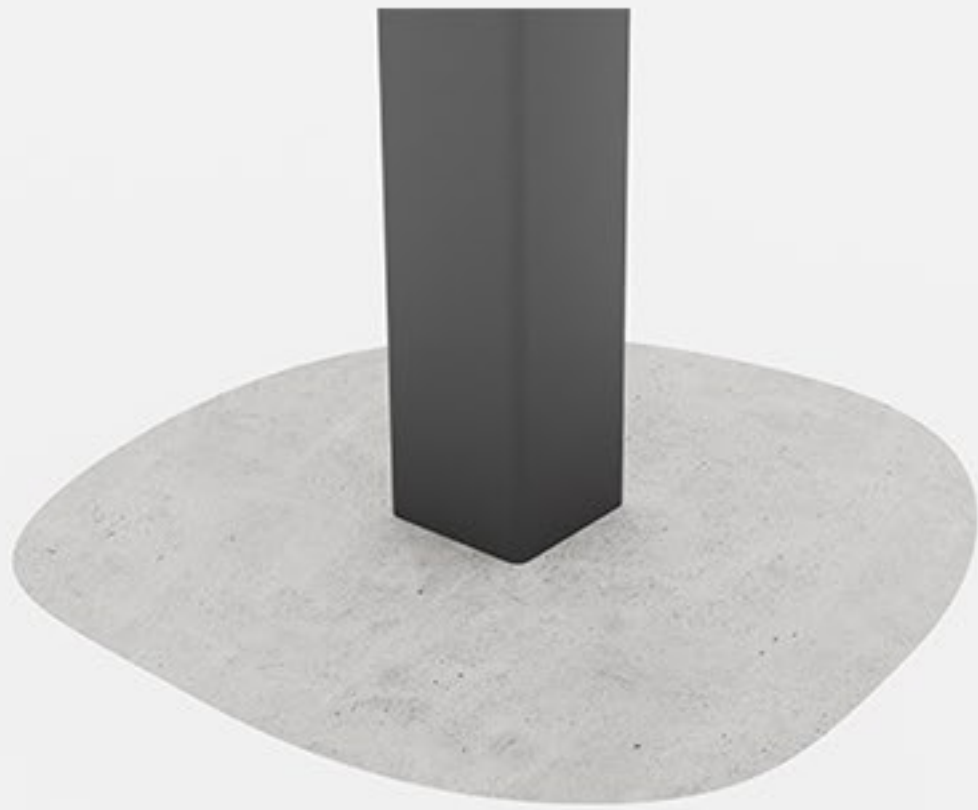


NOTES

- GATE WIDTH + 30MM

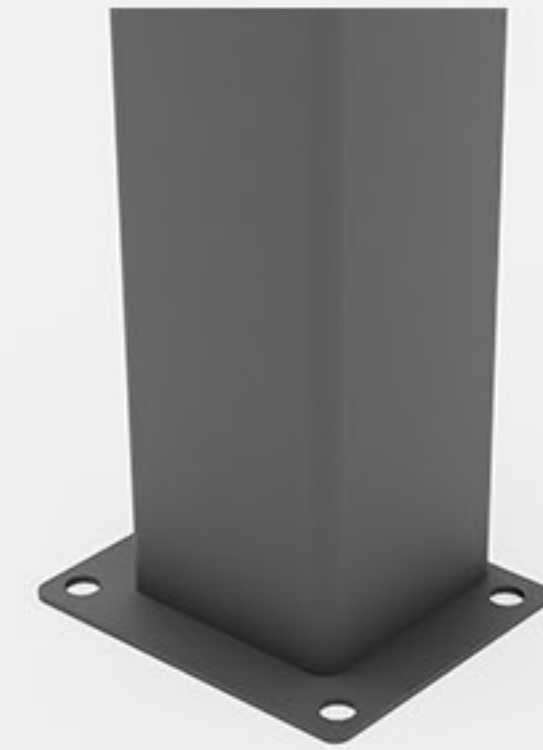


2: FLOOR OR CONCRETE MOUNT



**CONCRETE -
GO TO STEP 5**

OR



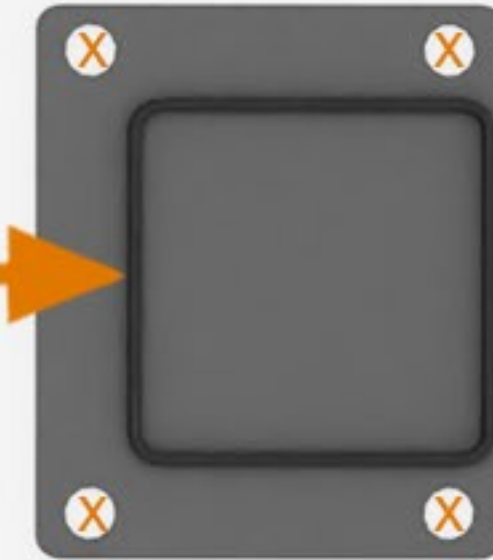
**FLOOR MOUNT -
GO TO STEP 3**

3: DRILL FLOOR BOLTS

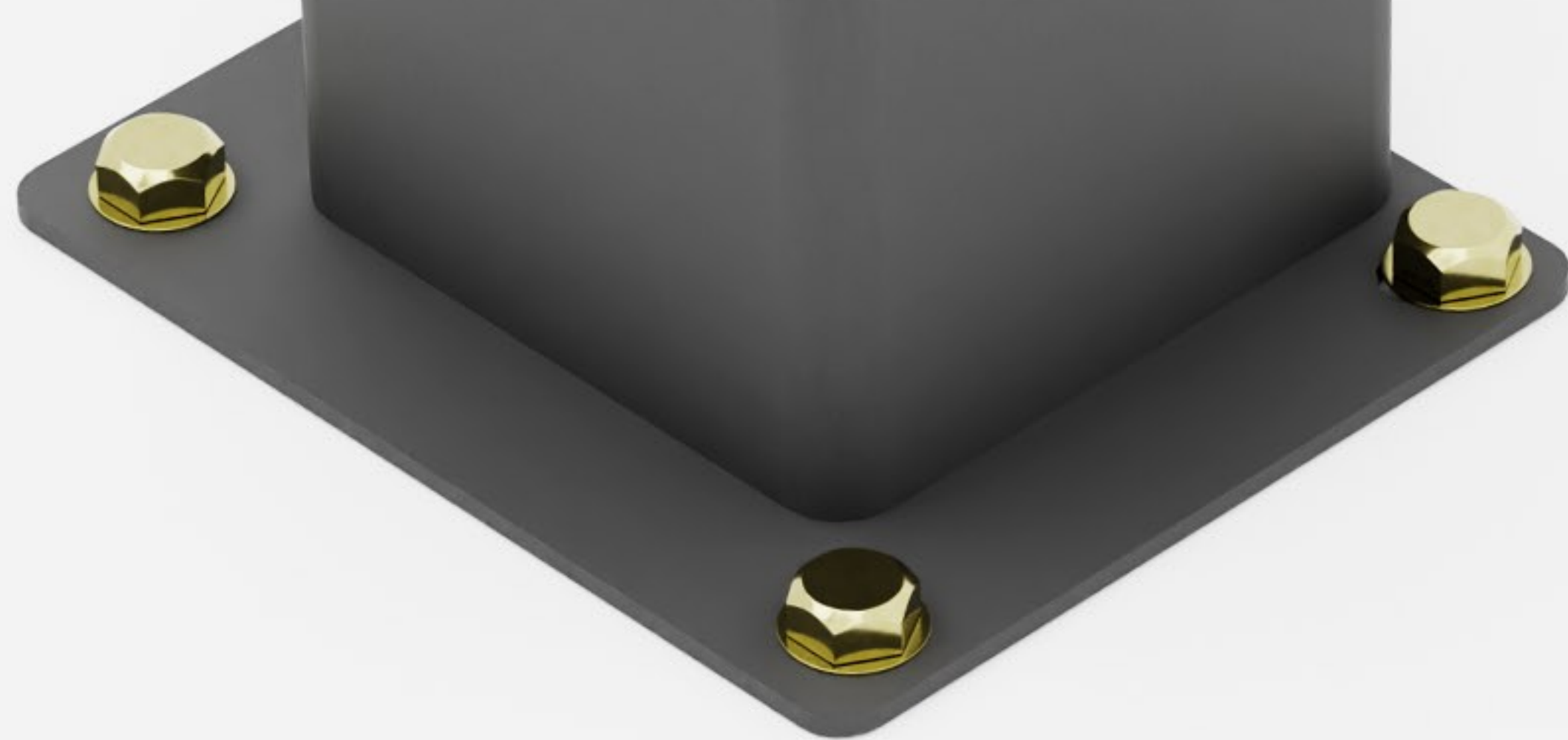
10MM DRILL - 8 PLACES



GATE WIDTH
+ 30MM



4: FIX TO FLOOR



GO TO STEP 8

NOTES

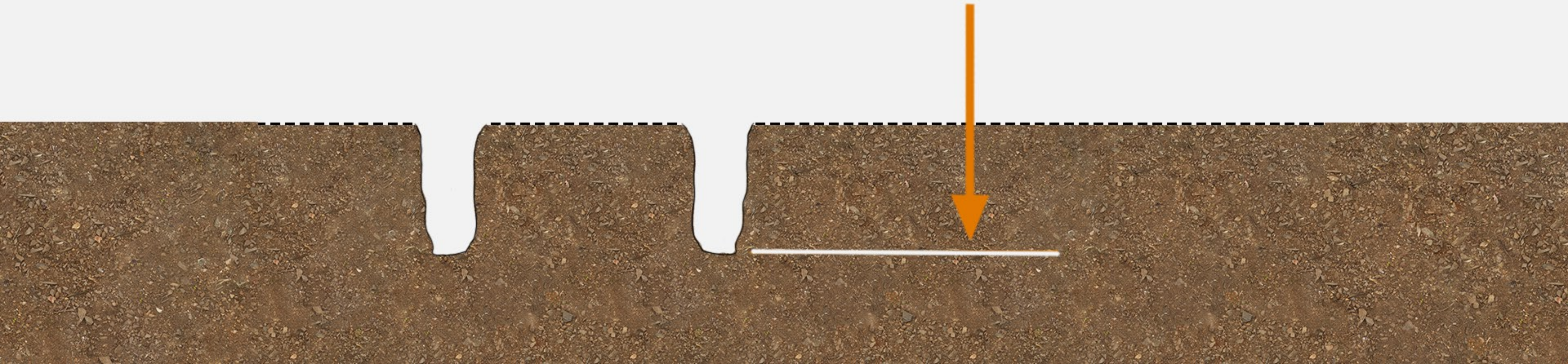
- M10 X 75MM BOLTS
- 8 X PLACES
- WRENCH OR SOCKET SET



***FOR CONCRETE MOUNT ONLY**

5: DIG POST HOLES

**DIG 2 x POST HOLES
MINIMUM 500MM
BELOW GROUND LEVEL**



**GATE HEIGHT
+ 100MM FROM
GROUND LEVEL**



6: CUT POSTS TO LENGTH

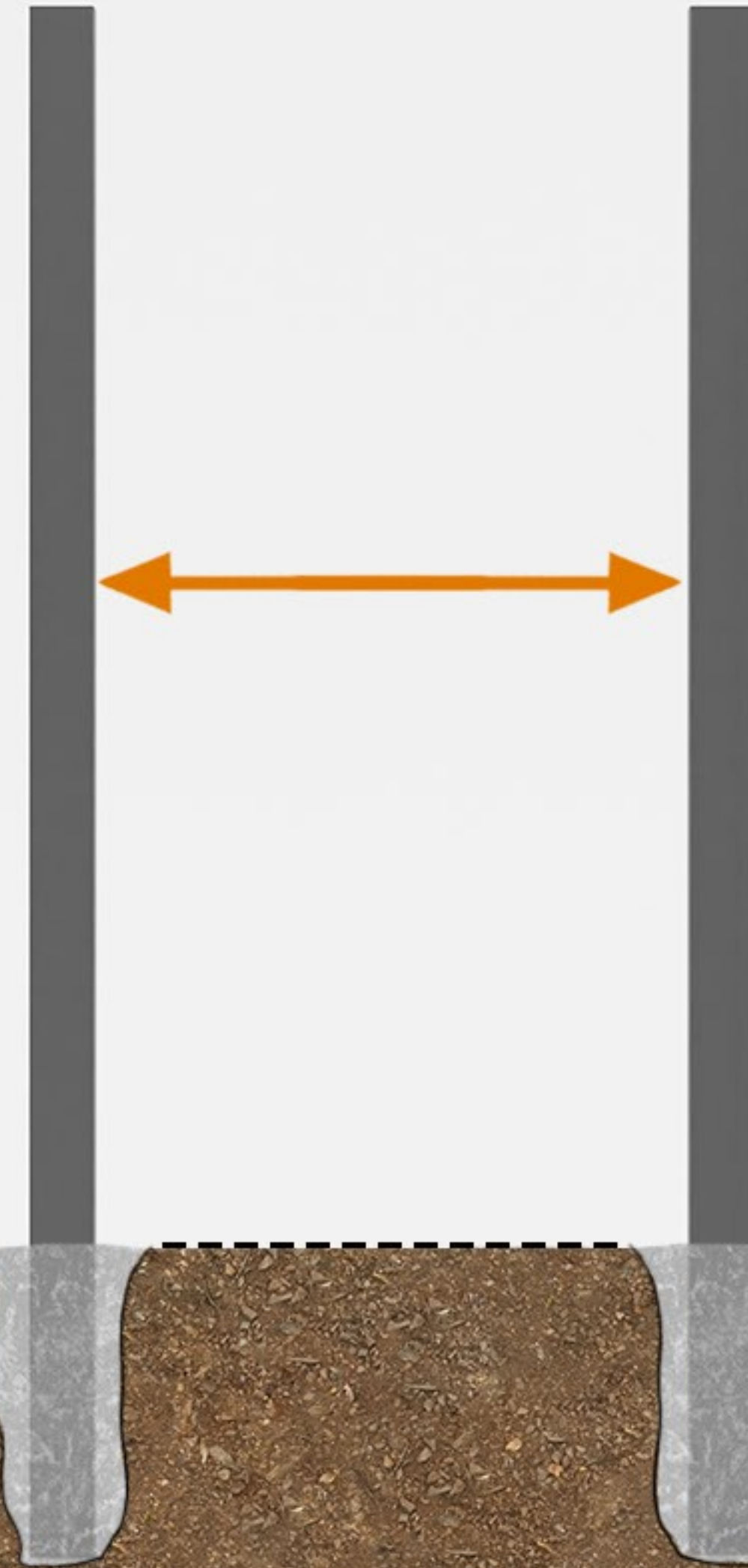


7: CONCRETE POSTS

**SET WIDTH BETWEEN POSTS
GATE WIDTH + 30MM**

USE QUICKSET CONCRETE

**ENSURE POSTS ARE
SQUARE IN BOTH AXIS**



NOTES

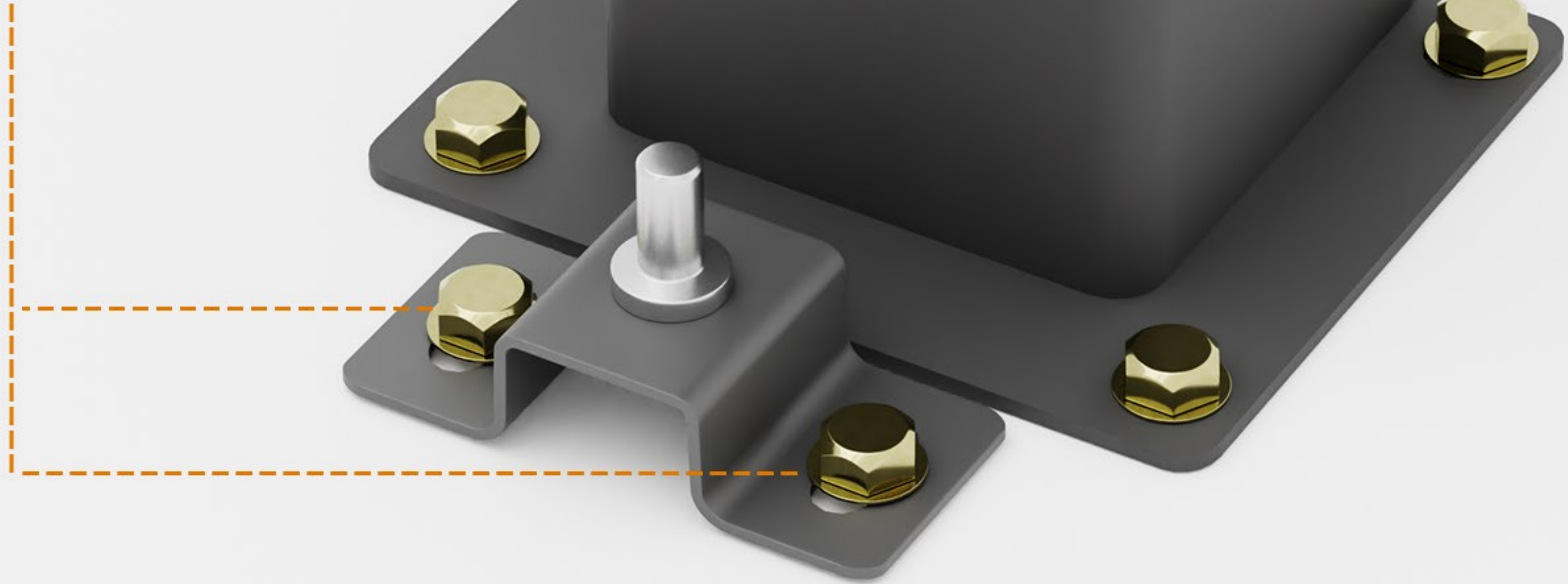
- BRACKET TO POST
40MM MIN
60MM MAX
- DRILL 2 x PLACES
- 10MM DRILL





9: PRE-ASSEMBLE LOWER SPIGGOT

**M10 BOLTS
2 x PLACES**



10: FIX LOWER HINGE TO FLOOR

11: ASSEMBLE UPPER SPIGGOT

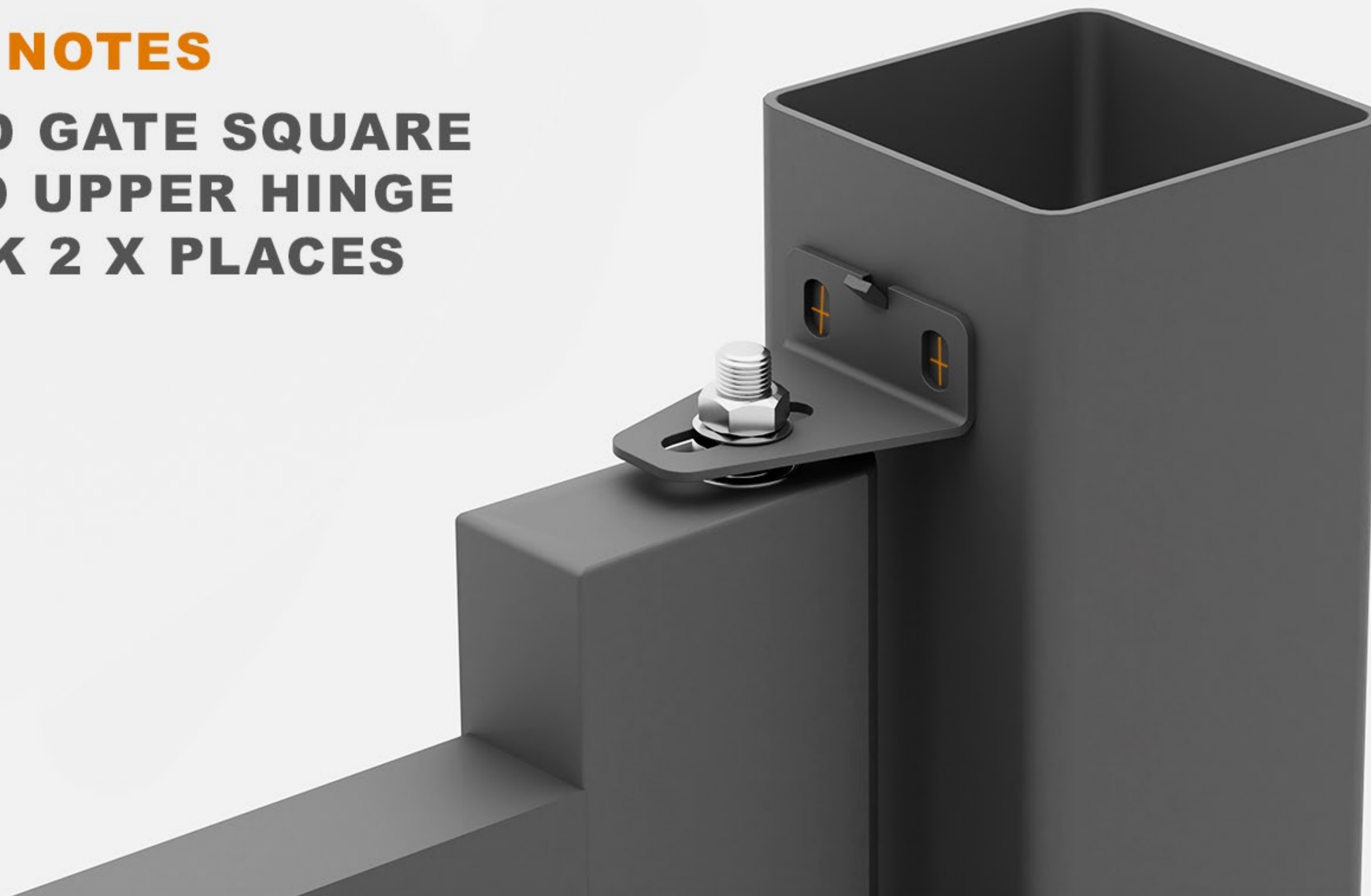


NOTES

- OPPOSITE TO LOWER BRACKET

NOTES

- **HOLD GATE SQUARE**
- **LOAD UPPER HINGE**
- **MARK 2 X PLACES**



12: MARK UPPER HINGE POSITION

NOTES

- DRILL 2 x PLACES
- 12MM DRILL



13: DRILL POST

NOTES

- 2 x M12 x 35MM
- 2 x M12 NUTS
- 4 x WASHERS

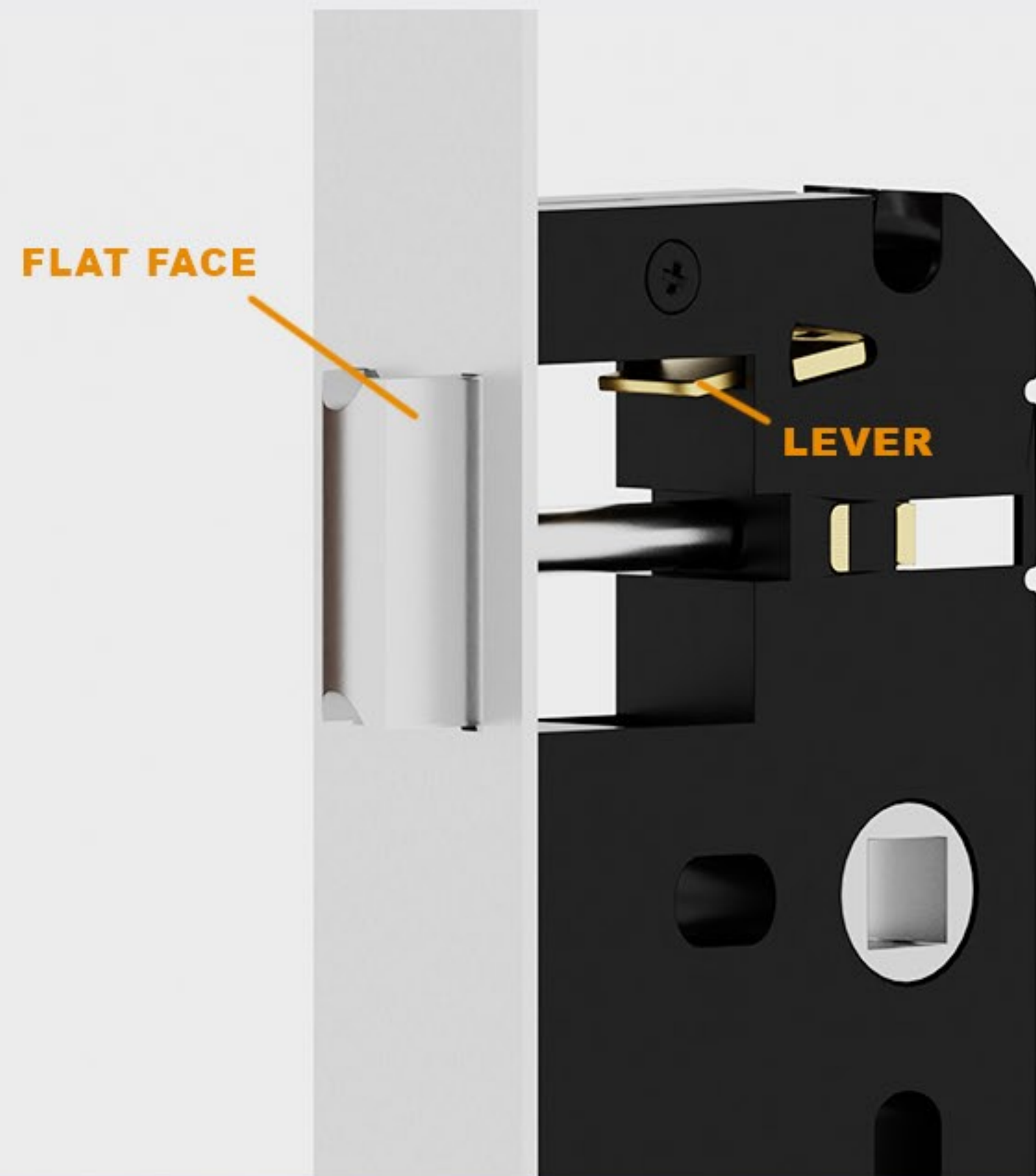


14: FIX UPPER HINGE

15: LOCK ASSEMBLY



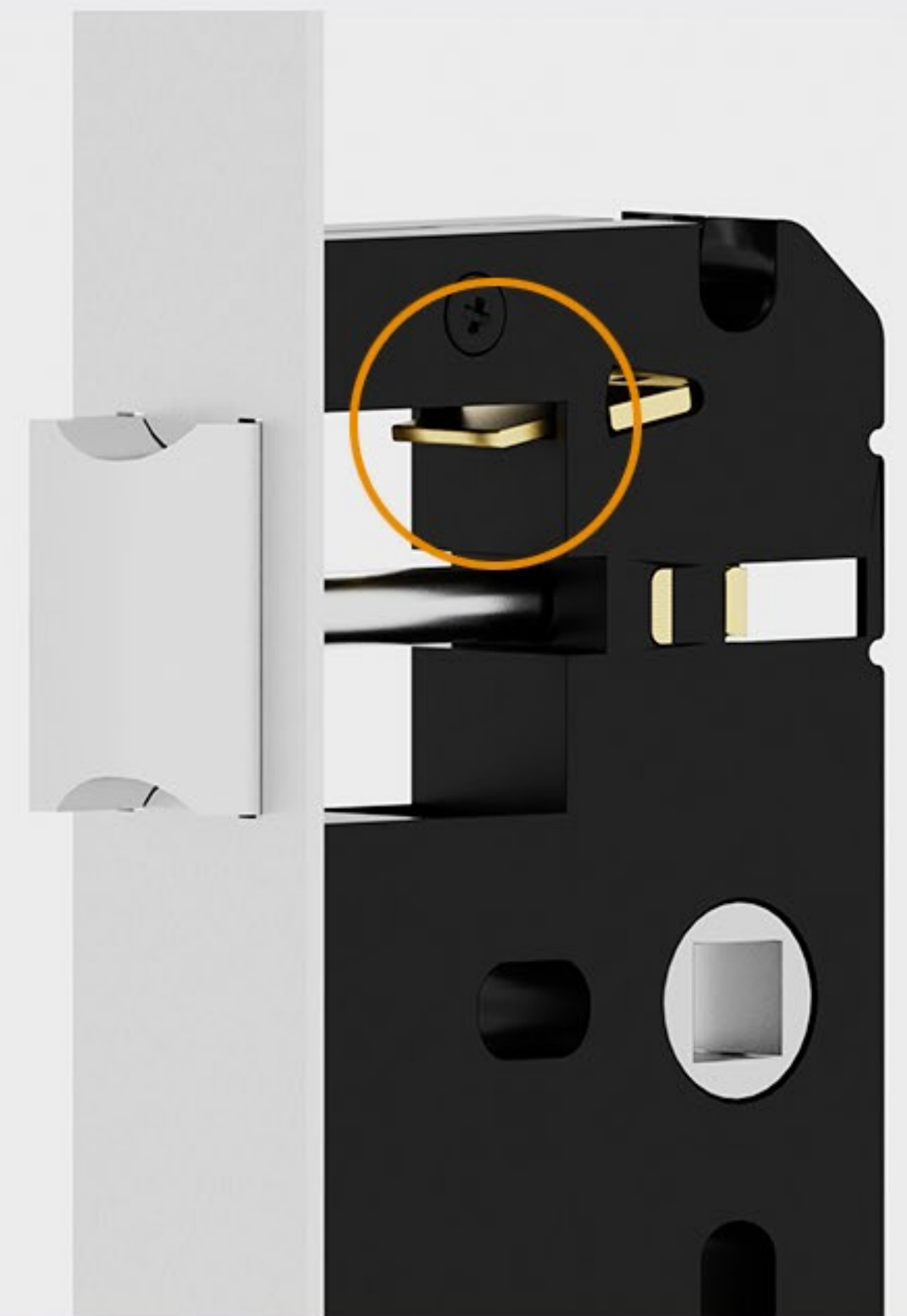
16: SET LATCH DIRECTION



A) SET FLAT FACE TOWARDS INSIDE OF GATE DIRECTION



B) TO CHANGE DIRECTION OF LATCH LIFT LEVER, DEPRESS LATCH AND ROTATE 180° INSIDE OF GATE DIRECTION



C) ONCE SET ENSURE LEVER FALLS BACK TO HOME POSITION

17: HANDLE ASSEMBLY



- **M4 X 25MM**
2 PLACES



- **INSERT LOCK**
- **INSERT SPINDLE**



- **M4 X 45MM**
2 PLACES

18: HANDLE



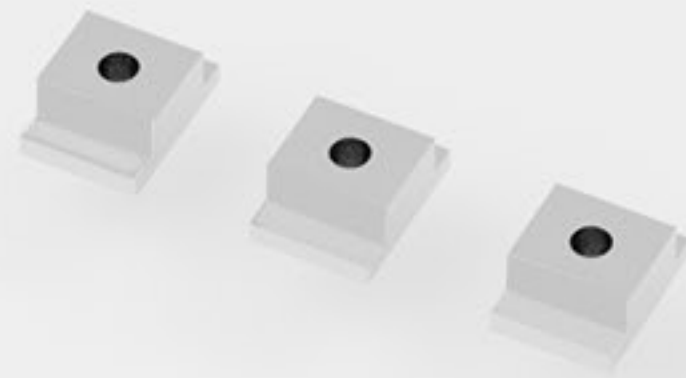
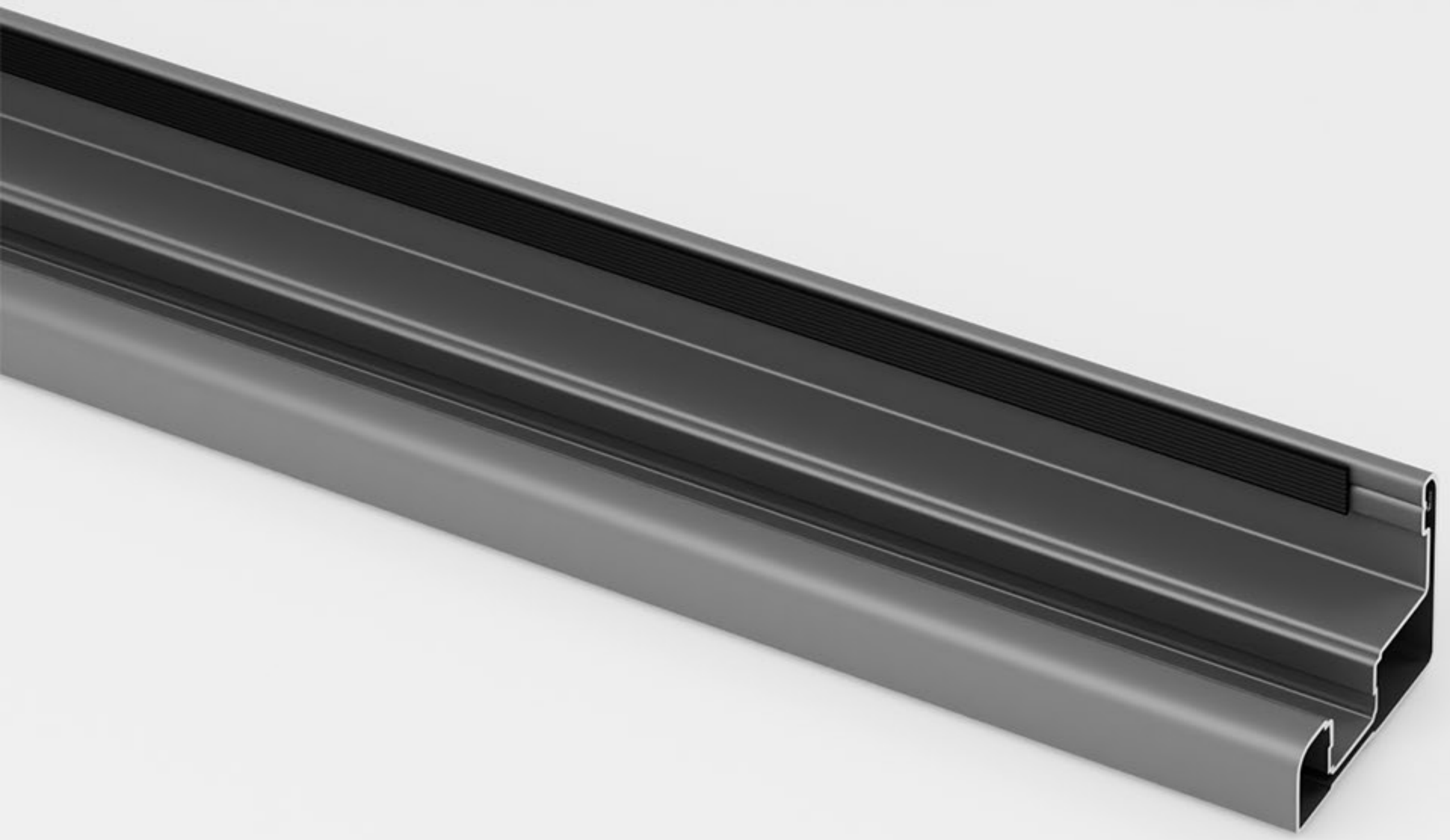
SET LH / RH HANDLE ENSURE FIXING HOLES TO INSIDE OF GATE

19: HANDLE



- **M4 X 60MM**
2 PLACES

20: LOCK KEEP



- **LOAD 3 x SCREW BLOCKS**

21: LOCK KEEP

- **SET TO APPROXIMATE CENTRE OF RAIL**



22: LOCK PLATE

- **M4 x 25MM**
3 x PLACES



23: FIT LOCK KEEP



NOTES

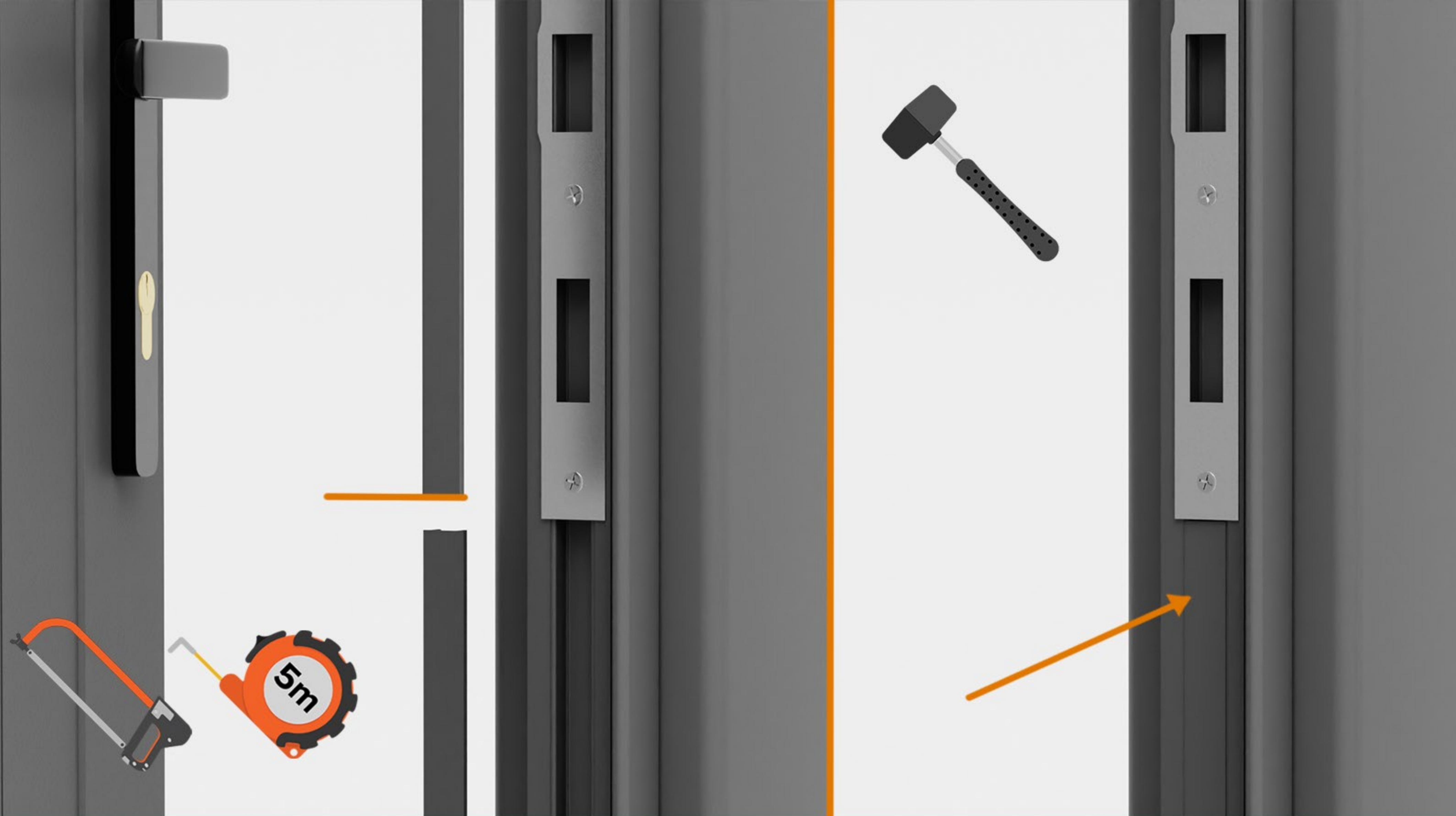
- **ENSURE SQUARE**
- **DRILL 3MM PILOT - 3 x PLACES**
- **TOP / MIDDLE / BOTTOM**
- **M6 x SELF TAPPING SCREWS**



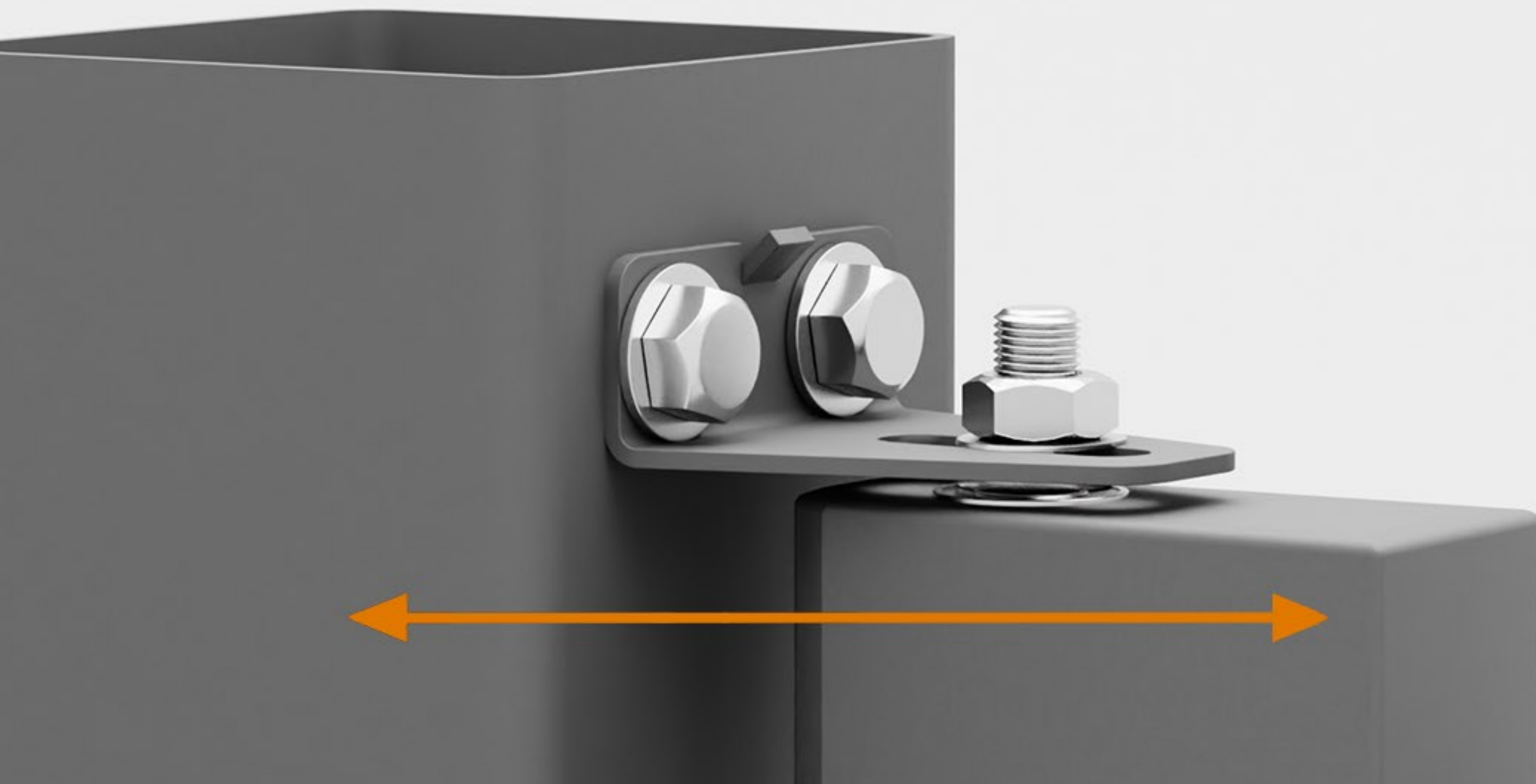
24: ADJUST LOCK KEEP

SET HEIGHT TO LATCH





25: CUT COVER PLATE TO LENGTH - 2 x PLACES

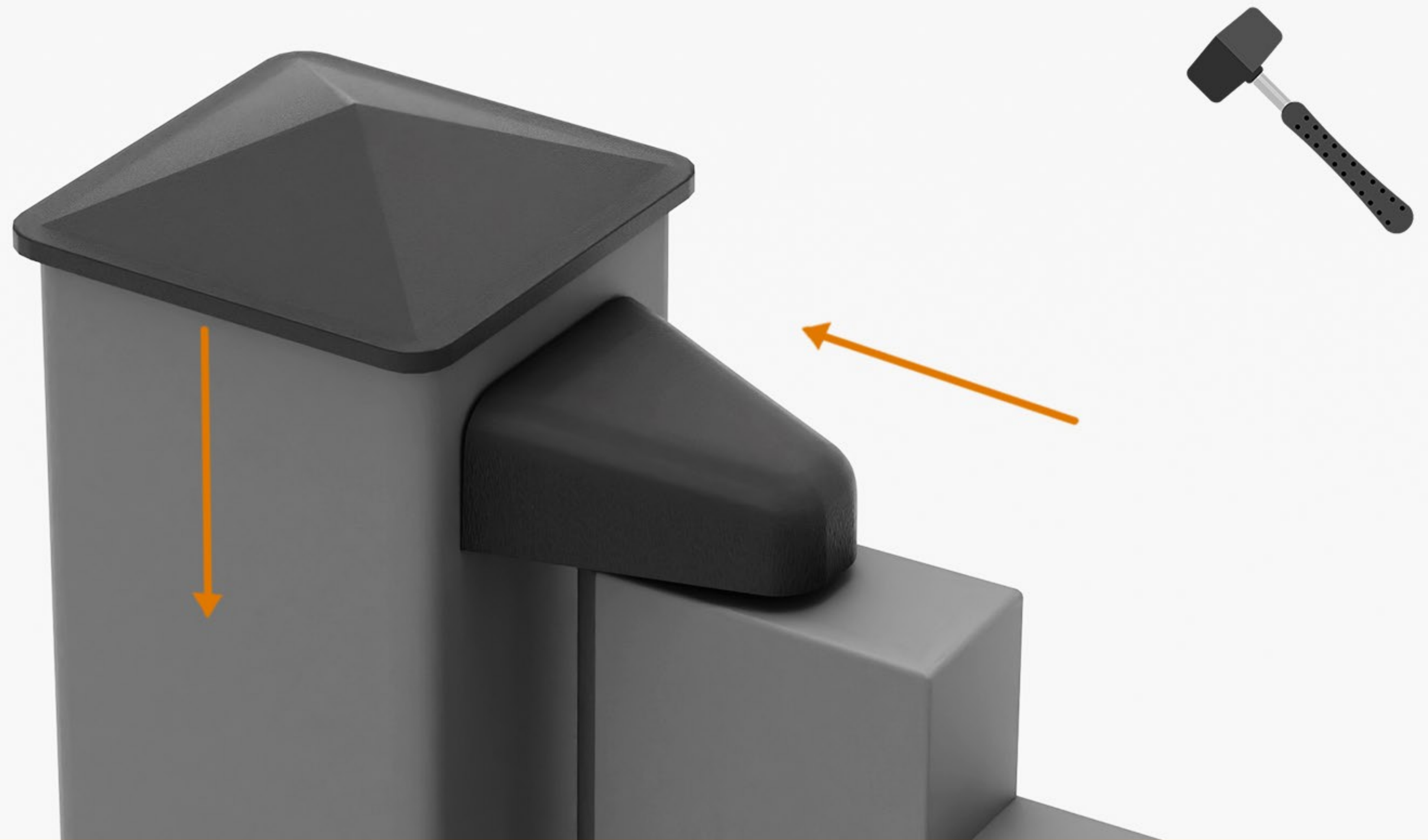


26: FINAL ADJUSTMENTS

NOTES

- **SLACKEN BOLTS**
- **ADJUST TO LATCH**





27: FIT WEATHER CAPS x 3

PROJECT COMPLETE

