



More space. More taste. At once

The 6000 Bridge Induction Hob can easily cope when you're cooking with bigger pans. The Bridge function links two cooking zones on two sides of the hob to fit any large or long pan. The bridged zone will share the same temperature and time.

Product Benefits & Features



DoubleBridge. Makes more of your hob

With DoubleBridge, you can combine two cooking zones on two different cooking areas. Perfect for accommodating cookware of various sizes, the feature also aligns temperature and time settings for maximum flexibility in the kitchen.

5 Individual Zone Controls for greater versatility

The 5 Individual Zone Controls user interface allows you to control 5 zones independently for greater flexibility. Each zone has 9 power levels, a PowerBoost function and Hob2Hood® feature.

Heat Memory for precise cooking

Heat Memory stays on top of your cooking. If you spill something or need to lift your pot, the user interface will remember the settings for 120 seconds, so you do not have to set the power level again.

Hob2Hood®: The hands-free hood

The Hob2Hood® function connects the hob and the hood. The cooker hood automatically adjusts the fan speed based on the heat, without lifting a finger. For powerful extraction when searing. And quieter extraction when simmering.

Quicker heat for extra speed with PowerBoost

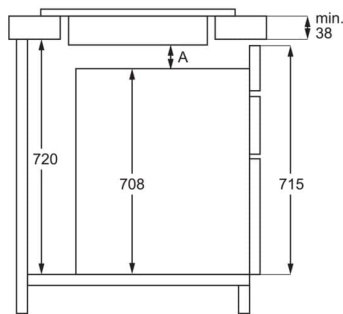
No more waiting around for pots to boil. The PowerBoost function gives you an instant burst of heat, boiling water in under 90 seconds. It's perfect for tasks like boiling a large pot of water quickly.

- Hob type: Induction
- Hob with bevelled frame
- Touch-control
- Controls position: Front Middle
- Illuminated controls
- Digital indications for each zone
- Induction zones with power booster function
- Pot detection
- Left front zone: Induction, 2300/3200W/210mm
- Left rear zone: Induction, 2300/3200W/210mm
- Middle front zone: Induction, 2300/3200W/210mm
- Middle rear zone: No, 0W/0mm
- Right front zone: Induction, 2300/3200W/210mm
- Right rear zone: Induction, 2300/3200W/210mm
- Key-lock function
- Child safety lock function
- Acoustic signal with switch off option
- Eco Timer
- Timer function
- OptiHeat Control
- Easy installation thanks to snap-in system
- Main colour: Black

Product Specification

Product Installation	Built_In	Depth cutting	490
Product Typology	Electric_Hob	Radius cutting	5
Product Classification	Statement	Fastening	Snap in System
Installation	Independent	Gas original	No
Size	80	Gas replacement 2	No
Hob type	Induction Full	Gas replacement 3	No
Design family	AEG Vision	Gas category	No
Main colour	Black	Frequency	50
Control Panel material	No	Voltage	220-240/400V2N
Frame type	Bevelled 4 Sides	Cord length external	0
Frame material	No		
Knobs colour	No		
Top Control Place	Front Middle		
Type of controls	Penguin		
Control function	3 step residual heat, Acoustic signal, Booster, Child-lock, Double Bridge, Eco timer, Heat memory, Hob-hood connection, Individual zone timers, Key-lock function, Minute minder, Pause, Pot detection, Sound off		
Other comments categorisation	KM 73.0.3, ref. 949 597 391		
Width mm	780		
Depth mm	520		
Built in height mm	44		
Width cutting	750		

PSGBHO210DE0000J



A = min. 6mm
only for AEG, Electrolux, Zanussi appliances

A = min. 12mm
all other brands

PSGBHO220DE0002M

