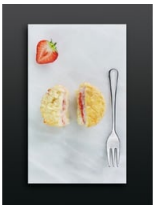


Always get succulent and juicy results

Your dishes are lipsmackingly brought to the next level by the 7000 SteamCrisp® Oven. It easily adds steam to usual oven heat, so that your roast come out succulent, vegetables stay juicy, and they all come out crispy.

Product Benefits & Features



Steam. Your new standard for flavour.

Take your dishes to the next level with the SteamCrisp oven. How? Traditional oven heat is enhanced by the introduction of steam. So not only do you get crisp and golden the outside, but thanks to the gentle flavour preserving nature of steam food is juicy, succulent and consistently tasty on the

- Built-in oven
- Oven energy class: A++
- Oven cooking functions: Au Gratin, Bottom heat, Bread baking, Conventional/Traditional cooking, Defrost, Dough proving, Drying, Frozen foods, Grilling, Humidity Low, Keep warm, Moist fan baking, Pizza setting, Plate warming, Preserving, Slow Cooking, Steam regenerating, True fan cooking, Turbo grilling
- Oven cavity with 3 baking levels
- Fast oven heat up function
- Meat Probe
- SoftMotion™ for a smooth, silent action when closing the door
- Automatic temperature proposal
- Memory function for frequently used oven settings
- Automatic weight programs
- Electronic temperature regulation
- Time extension function
- Electronic Child Lock safety function
- Residual heat indication
- Touch Control
- Automatic safety switch off oven function
- Electronic oven functions overview: 170 variety of pre-set cooking programmes "Assist" (weight/food sensor/Steam), 30 Languages, Acoustic signal, App control, Automatic safety switch off only oven, Buzzer volume adjustable, Check Result/Time extension (Finish Assist by remaining 10% duration), Child lock (in off mode), Cleaning reminder, Clock style in standby (2 versions), Connectivity, Cooking with Duration, Cooking with End Time and Duration, Demo mode with code, Descaling, Display Brightness adjustable (ON status), Display Full colour TFT touch 175x35mm, Electronic temperature regulation, Electronical door lock, Fast heat up selectable, Food sensor, Food sensor automatic switch off, Food sensor core temperature indication, Food sensor time estimation, Info button & short function description, Keep warm 65°C extended with LTC and set FS, Key tones & alarm/error tones activation/deactivation (except On/Off), Languages/Text display, Main switch, Memory day time 3 days, Minute minder, Oven light on/off selectable (menu + direct access button), Over the air update (OTA), Pyrolytic cleaning (3 cycles: quick, normal, intense), Real temperature indication (°C), Residual heat indication (°C), Residual heat usage, Rinsing, Service info, Set & go, Switch off time of day in off status, Tank emptying, Temperature proposal, Time of day, Water hardness setting
- Halogen oven lighting
- Oven light automatic at door opening

A self-cleaning oven

With one touch of the Pyrolytic cleaning function, dirt, grease and food residue in the oven is converted into ash that you can easily wipe off with a damp cloth.



Perfect results with the Food Sensor

Thanks to the Food Sensor of this oven you can measure the core temperature from the center of your dish during the cooking process. So you get the perfect results everytime.



Functional. Integrated. Personalised. Smart Kitchen

Remotely manage your oven, explore our various partners, and even get personalised cooking assistance, all via the My AEG Kitchen App. It's the convenient and easy way to enrich your Smart Kitchen experience.

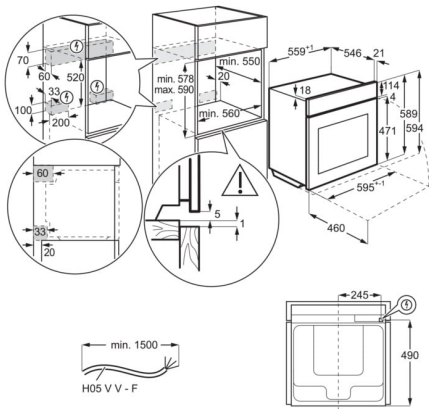
EXCite+ TFT Display with Command Wheel. Precision cooking

With the EXCite+ TFT Display with Command Wheel you can precisely and easily control the oven heat, browse programmes, choose functions and even get oven software updates via WiFi. All at the twist of a dial and displayed on the digital screen.

Product Specification

Product Installation	Built_In	Right rear - Hob control	No
Product Typology	BI_Oven_Electric	Thermostat	Top
Product Classification	Exploration	Type of timer min.	ITex100R
Type	Single	Electronic Oven Control	ST_IT100.T1.RF.PS3.PY3.FS_con
Installation	BI		
Size	60x60		
Oven Energy	Electrical		
Cooking	Fan + Ring + Steam		
Cleaning top oven	Pyrolytic		
Cleaning bottom oven	No		
Nø of cavities	1		
Design family	Mastery Range		
Main colour	Black		
Control Panel material	Glass		
Type of doors	4 Glasses, Smiley cut-out big		
Type of handle	Metal		
Door type bottom oven	No		
Door hinges	Drop Down Equilibrated, Drop Down Removable With Dampers		
Drawer	No		
Control lamps	No		
Hob control	No		
Left front - Hob control	No		
Rear - Hob control	No		
Right front - Hob control	No		

PSGBOV180DE0000F



PSGBOV180DE0000G

