



All the taste, Half the time

A succulent roast chicken, a creamy Dauphinoise, a rich beef casserole - all achieved in just half the time a conventional oven would require. The CombiQuick oven is the faster way to exceptional flavours and exciting dishes, combining hot air fan cooking with the speed of a microwave to give you the mouthwatering finish and

Product Benefits & Features

Microwave-grill combination. Fast Cooking with a crisp finish

Combine the power of a grill and the efficiency of a microwave, with Fast Cooking. Melt mozzarella-topped toasties, or harden a crème brûlée's sugared lid, all in the microwave. Versatile cooking, mastered.

Functional. Integrated. Personalised. Smart Kitchen

Remotely manage your oven, explore our various partners, and even get personalised cooking assistance, all via the My AEG Kitchen App. It's the convenient and easy way to enrich your Smart Kitchen experience.

Pre-heat quicker. With Fast Heat Up

Make more of your time with the Fast Heat Up setting, pre-heating the oven 40% quicker than conventional models. Enjoy minimal waiting before beginning a bake, for great results on your schedule.

EXCite+ TFT Display with Command Wheel. Precision cooking

With the EXCite+ TFT Display with Command Wheel you can precisely and easily control the oven heat, browse programmes, choose functions and even get oven software updates via WiFi. All at the twist of a dial and displayed on the digital screen.

Cooked Evenly everywhere

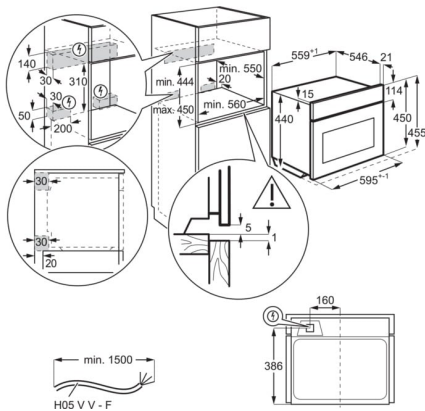
With this oven, using energy efficiently also means cooking efficiently. It has a new convection system called Hot Air, which ensures hot air circulates evenly throughout the oven cavity. The result is that the oven heats up faster and cooking temperatures can be reduced by up to 20%, saving you both time and energy

- Compact built-in oven
- Oven with integrated microwave function
- Microwave power: 1000 Watt
- Bottom oven energy class: No
- Oven cooking functions: Au Gratin, Bottom heat, Bread baking, Conventional cooking + Microwave, Conventional/Traditional cooking, Defrost + Microwave, Dough proving, Drying, Frozen foods, Grill + Microwave, Grilling, Keep warm, Liquids + Microwave, Microwave, Pizza setting, Plate warming, Preserving, Reheat + Microwave, Slow Cooking, True fan cooking, True fan cooking + Microwave, Turbo grilling, Turbo grilling + Microwave
- Oven cavity with 2 baking levels
- Fast oven heat up function
- Automatic temperature proposal
- Memory function for frequently used oven settings
- Automatic weight programs
- Electronic temperature regulation
- Time extension function
- Electronic Child Lock safety function
- Residual heat indication
- Touch Control
- Automatic safety switch off oven function
- Electronic oven functions overview: 100 variety of pre-set cooking programmes "Assist" (weight), 3 Favorites, 32 Languages, Acoustic signal, App control, Automatic safety switch off only oven, Buzzer volume adjustable, Check Result/Time extension (Finish Assist by remaining 10% duration), Child lock (in off mode), Clock style in standby (2 versions), Connectivity, Cooking with Duration, Cooking with End Time and Duration, Demo mode with code, Direct access to MW-function, Display Brightness adjustable (ON status), Display Full colour TFT rotary 175x35mm, Electronic temperature regulation, Fast heat up selectable, Info button & short function description, Key tones & alarm/error tones activation/deactivation (except On/Off), Languages/Text display, Main switch, Memory day time 3 days, Minute minder, Oven light on/off selectable (menu + direct access button), Over the air update (OTA), Power on at door opening, Power on at Rotary touch, Real temperature indication (°C), Residual heat indication (°C), Residual heat usage, Service info, Set & go, Switch off time of day in off status, Temperature proposal, Time of day
- Halogen oven lighting
- Oven light automatic at door opening
- High gloss enamel oven lining, easy to clean

Product Specification

Product Installation	Built_In	Right rear - Hob control	No
Product Typology	BI_Oven_Electric	Thermostat	Top
Product Classification	Exploration	Type of timer min.	ITex100R
Type	Compact	Electronic Oven Control	iTex100R_CMW_con
Installation	BI		
Size	46x60		
Oven Energy	Electrical		
Cooking	Microwave/Multifunction		
Cleaning top oven	Clean Enamel		
Cleaning bottom oven	No		
Nø of cavities	1		
Design family	Mastery Range		
Main colour	Black		
Control Panel material	Glass		
Type of doors	3 Glasses, Brand Logo on Glass, KR Graphic, Smiley cut-out big		
Type of handle	Metal		
Door type bottom oven	No		
Door hinges	Drop Down Screwed		
Drawer	No		
Control lamps	No		
Hob control	No		
Left front - Hob control	No		
Rear - Hob control	No		
Right front - Hob control	No		

PSGBOV180DE0000H



PSGBOV180DE0000J

