

Polar Top Hung/Fire Escape Roof Window

The Keylite Polar Top Hung/Fire Escape Roof Window opens to 45°. Applications of this window are ideal in roofs with low pitches.



Features

- ▶ **Bright White** – Keylite's Polar range combines the bright finish of PVC to compliment the interior décor of the contemporary home. The white internal finish blends perfectly with white ceilings and walls to maximise the use of natural light within any room.
- ▶ **Moisture Resistant** – PVC's natural resistance to moisture enables the Keylite Polar Roof Window performs equally as brilliantly in a damp environment as it does in a dry one. This makes them ideal for every room including even the steamiest bathroom or kitchen.
- ▶ **Preservation Promise** – The Polar Roof Windows long life bright white finish is guaranteed through the use of only the most premium grade of PVC materials, ensuring that Polar remains essentially maintenance free with only the occasional rub with a damp cloth required to retain its appearance
- ▶ **Means of Escape** - As a means of escape, the window will open to an unobstructed area to accommodate a safe exit, in the event of an emergency. The opening handle located at the bottom of the window is easily accessible.
- ▶ **Ease of Use** – The multi stop opening feature allows the user to simply open the window and extend it to any position between 0° and 45° where the window will remain open for maximum flexibility.
- ▶ **Integrated Thermal Collar** - Unlike other roof windows, Keylite's thermal collar is integrated into the frame. The collar is activated by simply pulling the release tabs for a fast insulation solution, combating cold bridging.
- ▶ **Flick-Fit Brackets** - Keylite's unique Flick-Fit brackets are prefitted so you can lift the window straight from the box to the roof and simply select the setting for tile or slate.
- ▶ **Click-Fit Hood** - Simply click the hood under the clips and secure.
- ▶ **Recessed Fit as Standard** - Every Keylite roof window is recessed as standard, sitting lower in the roof than ever before.
- ▶ **New Profile Hood** - Keylite's new hood features a more sculptured design, enhancing its appearance in the roof.
- ▶ **Warm Edge Glazing** - Every Keylite roof window now has a warm edge glazing unit as standard, to enhance the windows performance and reduce the occurrence of condensation.
- ▶ **All Weather Ventilation** - Keylite roof windows all provide trickle ventilation, even with the window fully closed and securely locked. The built in ventilation filter ensures no insects pass into the room, only clean fresh air.
- ▶ **Maintenance Free Hinge** - The hinge being the most vital component of the window, is the only operational part that moves. Keylite has eliminated the maintenance requirement of this component.
- ▶ **Sash Finger Springs** - The sash hinge finger spring allows the sash to be installed back into the frame in one smooth effortless motion.

Application

- ▶ Keylite recommend installing the window so that the top frame is between 1.85m - 2.20m above the floor for ease of operation.

Operation

- ▶ The Keylite Polar Top Hung/Fire Escape roof window is operated manually as standard, through rotating the sash, located along the bottom of the sash. This operation is made easy by the powerful pneumatic spring system.
- ▶ Although hinged at the top for Fire Escape purposes, the Keylite Top Hung/Fire Escape roof window retains its ventilation flap and centre-pivoting hinge for cleaning purposes.

Guarantee

- ▶ **10 Years** - Keylite's hassle free guarantee on flashings.
- ▶ **3 Years** - Keylite's hassle free guarantee on blinds, accessories and electrics.

Finish Options

- ▶ **Interior** - White
- ▶ **Exterior** - Grey
Conservation Black (CW)

Installation and Accessory Products

- ▶ **Flashings**
 - Single Installation:
 - Tile (TRF)
 - Deep Tile (DTRF)
 - Slate (SRF)
 - Plain Tile (PTRF)
 - Corrugated Roof (CRF)
 - Combination Installation:
 - Combi Tile (CTRF)
 - Combi Slate (CSRF)
 - Combi Plain Tile (CPTRF)
 - Bi-Lite Tile (BLTRF)
 - Bi-Lite Slate (BLSRF)
 - Quad Lite Tile (QLTRF)
 - Quad Lite Slate (QLSRF)
- ▶ **Additional Installation Products**
 - Underfelt Collar (FC)
 - Vapour Collar (VC)
- ▶ **Blinds**
 - Integral Blind (I)
 - Dim out Blind (D)
 - Black out Blind (B)



Window Type	Top Hung	Fire Escape							
Window Sizes (WxH)	550x980	550x1180	660x1180	780x980	780x1180	780x1400	940x1600	1140x1180	1340x980
Thermal Product Code	PTH 02 T	PFE 01C T	PFE 03 T	PFE 04 T	PFE 05 T	PFE 06 T	PFE 07 T	PFE 08 T	PFE 09 T
Hi Therm Product Code	PTH 02 HT	PFE 01C HT	PFE 03 HT	PFE 04 HT	PFE 05 HT	PFE 06 HT	PFE 07 HT	PFE 08 HT	PFE 09 HT

Note: Due to the opening size of an 02 roof window it must not be used as a means of escape.

No electric option available on top hung rooflights.

Other sizes are available, please contact the Keylite Sales Team for details of full range.

Thermal Performance

		Thermal [T]	Hi Therm [HT]	Triple [KTG]	Frosted [T-FR]
Window U value	Uw [W/m²K]	1.5	1.5	1.2	1.5
Centre pane U value	Ug [W/m²K]	1.1	1.1	0.6	1.1

Glazing

Thermal (T) - Double glazed, toughened outer pane, argon gas filled cavity, float inner pane.

Hi-Therm (HT) - Double glazed, toughened outer pane, argon gas filled cavity, laminated inner pane with enhanced noise reduction.

Triple Glazed (KTG) - Triple glazed, toughened outer pane, krypton gas filled cavity, float centre pane, krypton gas filled cavity, float inner pane with enhanced sound and thermal insulation.

Frosted (FR) - Double glazed, toughened outer pane, argon gas filled cavity, frosted float inner pane.

Note: Self-cleaning glass available upon request. For further information, please contact the Keylite technical team.

Maintenance

- ▶ The glazing pane of a Keylite Polar Top Hung/Fire Escape Roof Window can be cleaned with a soft, clean cloth/chamois or non-metal squeegee. Clean water will be sufficient for cleaning the pane.
- ▶ The sash can be rotated through 180° where the outer pane can become available for cleaning once locked in position using the plastic locking mechanism located along the top of the sash.

Glazing Option

Glazing Option - Results			Thermal [T]	Hi Therm [HT]	Triple [KTG]	Frosted [FR]
UV	Transmittance (%)	τ_{uv}	44	0	31	43
	Transmittance for standard illuminant D65 (%)	τ_v	82	81	74	80
Light	Reflectance for standard illuminant D65 (%) ^(*)	ρ_v	12	12	16	12
	Reflectance for standard illuminant D65 (%) ^(**)	ρ_v	12	12	16	12
	General colour rendering index (%)	Ra	98	98	97	96
	Solar direct transmittance (%)	τ_e	58	53	46	57
Energy	Solar direct reflectance (%) ^(*)	ρ_e	28	28	33	27
	Solar direct reflectance (%) ^(**)	ρ_e	27	23	32	26
	Solar direct absorption (%) ^(*)	a	14	19	21	14
	Total solar energy transmittance (Solar Factor) EN410 (%) ^(*)	g	64	64	55	63
	Shading coefficient (+g_DIN/0.87) ^(*)	sc	0.74	0.73	0.64	0.73

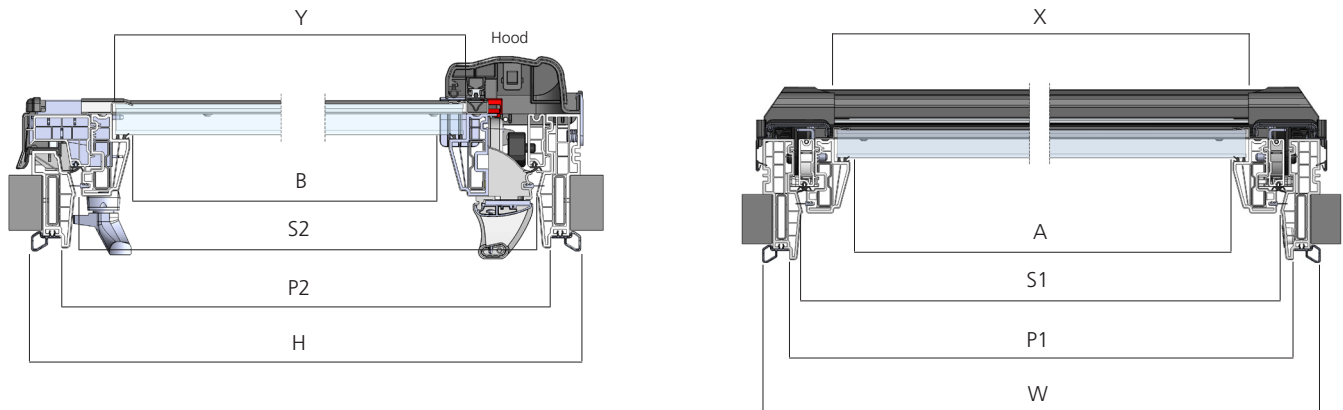
(*) Incident Radiation from the outside (**) Incident Radiation from the inside

Technical Information

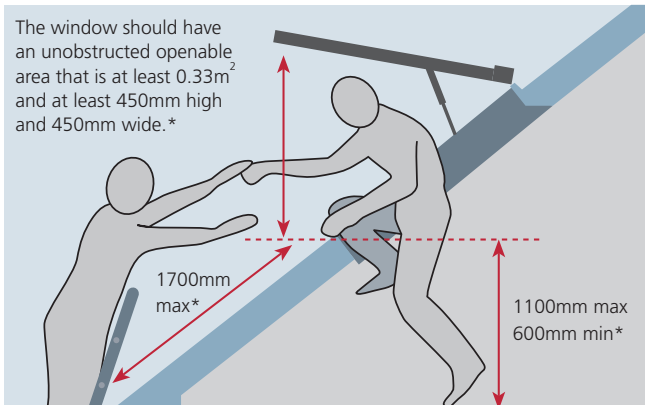
Window Type	Window Size	External Frame Size		Sash Size		Glazing Size		Visible Glazing Size		Plasterboard		Natural Daylight Area (m ²)	Equivalent Ventilation Area (mm ²)	OPENING SIZE REQUIRED	
		(mm)		(mm)		(mm)		(mm)		(mm)				(mm)	
		W	H	S1	S2	X	Y	A	B	P1	P2			W	H
PTH*	02	550	980	466	896	396	793	370	767	492	922	0.284	3,879	590	1020
PFE	03	660	1180	576	1096	506	993	480	967	602	1122	0.464	4,658	700	1220
PFE	04	780	980	696	896	626	793	600	767	722	922	0.460	6,567	820	1020
PFE	05	780	1180	696	1096	626	993	600	967	722	1122	0.580	6,567	820	1220
PFE	06	780	1400	696	1316	626	1213	600	1187	722	1342	0.712	6,567	820	1440
PFE	07F	940	1400	856	1316	786	1213	760	1187	882	1342	0.902	7,914	980	1440
PFE	08	1140	1180	1056	1096	986	993	960	967	1082	1122	0.928	9,597	1180	1220
PFE	09	1340	980	1256	896	1186	793	1160	767	1282	922	0.890	11,281	1380	1020
PFE	01C	550	1180	466	1096	396	993	370	967	492	1122	0.358	3,879	590	1220
PFE	01F	550	1400	466	1316	396	1213	370	1187	492	1342	0.439	3,879	590	1440
PTH*	03B	660	980	576	896	506	793	480	767	602	922	0.368	4,658	700	1020
PFE	03F	660	1400	576	1316	506	1213	480	1187	602	1342	0.570	4,658	700	1440
PFE	07B	940	980	856	896	786	793	760	767	882	922	0.583	7,914	980	1020
PFE	07C	940	1180	856	1096	786	993	760	967	882	1122	0.735	7,914	980	1220
PFE	08B	1140	980	1056	896	986	793	960	767	1082	922	0.736	9,597	1180	1020
PFE	08F	1140	1400	1056	1316	986	1213	960	1187	1082	1342	1.140	9,597	1180	1440
PFE	09C	1340	1180	1256	1096	1186	993	1160	967	1282	1122	1.122	11,281	1380	1220
PFE	09C	1340	1180	1256	1096	1186	993	1160	967	1282	1122	1.122	11,281	1380	1220

*Note: Top Hung only, not a fire escape window

Cross Section



Statutory Regulations



* **Important:** Always check with your local Building Control Department with regards to the position of the window, prior to installation.

UK
Unit 3 Gateway Road, Burton Gateway,
Burton upon Trent, DE13 8FL

NI & ROI
Derryloran Industrial Est. Sandholes Road,
Cookstown, Co. Tyrone, BT80 9LU

T: +44 (0) 1283 200 158
E: info@keyliteuk.com

T: +44 (0) 28 8675 8921
E: info@keylite.co.uk