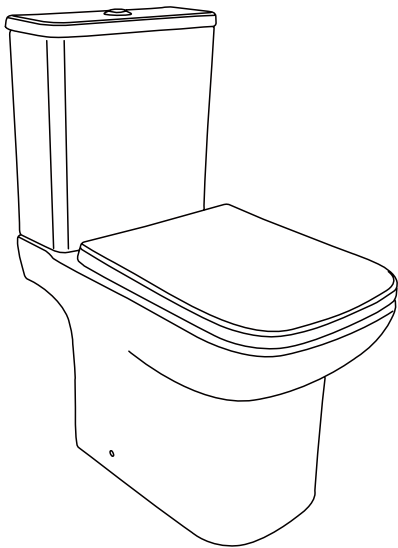
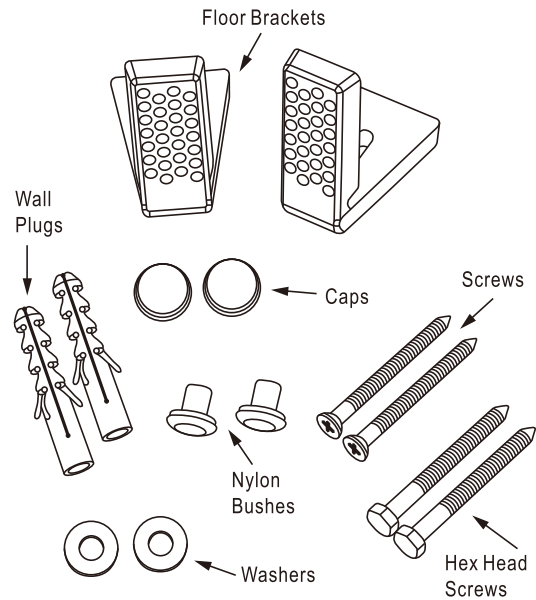


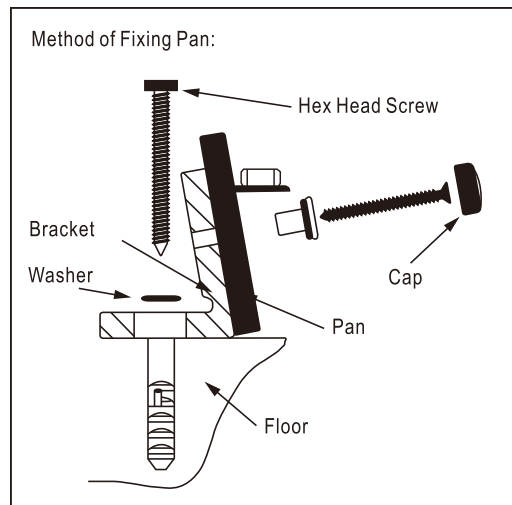
# Close Coupled Pan Fixing Set Instruction Manual

## Contents

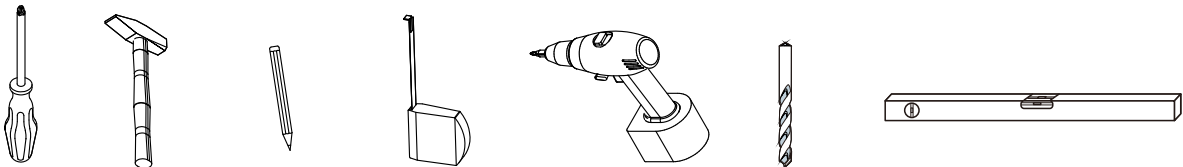
Item	Description	Qty
1	Floor Brackets	2
2	Wall Plugs S10 x 50	2
3	Hex Head Screws 6 x 78	2
4	Washers	2
5	Screws 5 x 60	2
6	Nylon Bushes	2
7	Caps	2



Drawing for illustration purposes only.



## Tools Required (Not Supplied)



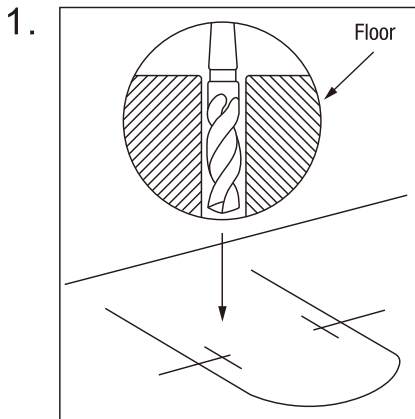
# Installation

**Caution:** Take great care when drilling floors or walls to avoid wires and pipes which may run beneath.

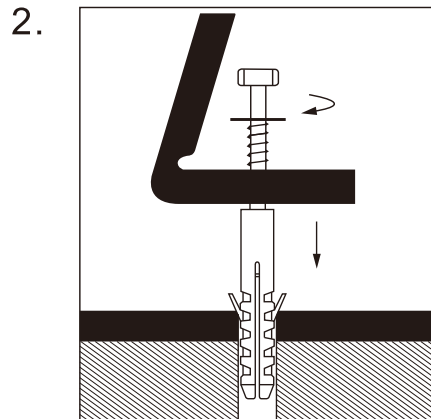
Exercise great care when using power tools near water. The use of a residual current device (RCD) or cordless drill is recommended. Always double-check the position and your measurements before drilling holes. Protective eyewear should be used when drilling.

Keep children away from the work area and remember that all small parts, plastic bags and tools should also be kept out of reach of children.

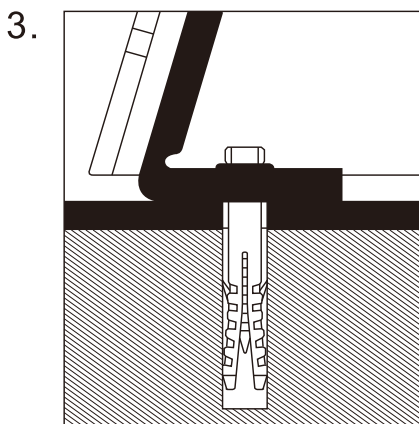
**Fixing tip:** A piece of insulating tape or a couple of layers of masking tape applied before marking out the fixing holes will help stop the drill from wandering on tiled surfaces.



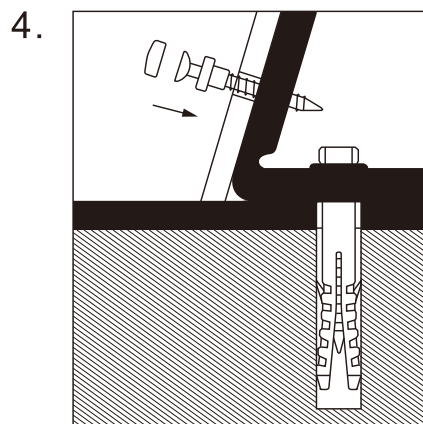
8VLQDPPPDVRQU IGLUCLVGLDPPGLD  
DSSR PPIU RPKHHGJHRWHSQLODDJQPHQW  
ZLWWSHGLUCRBLQWHSQ



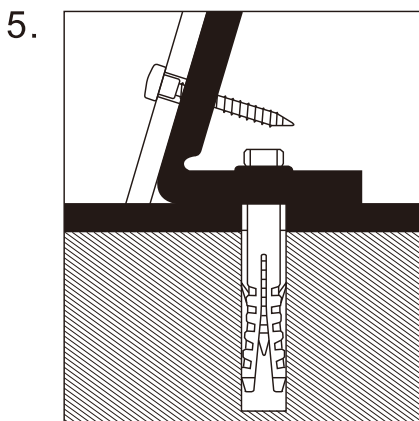
Tighten fixing bracket



Put on the new toilet



Tighten the screws



Put on the caps