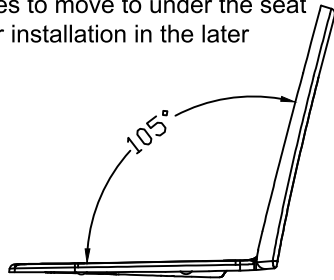
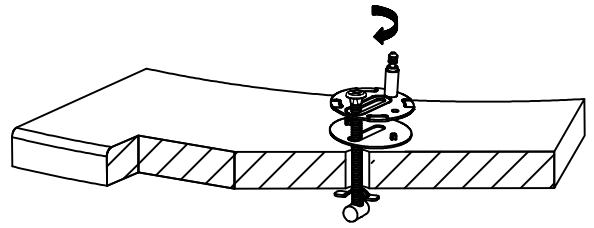


Toilet Seat Installation Instructions

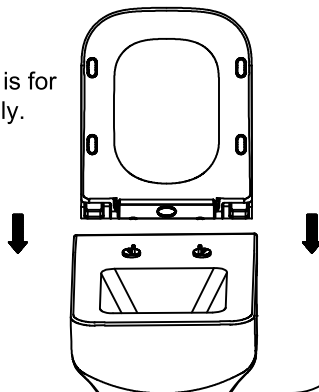
- ① To help keep the fitting holes on the seat aligned, please do not open the seat over 105 degrees, as this will cause the holes to move to under the seat itself, which will hinder installation in the later stages.



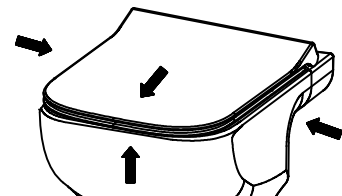
- ② Insert top fix fittings into pan holes.



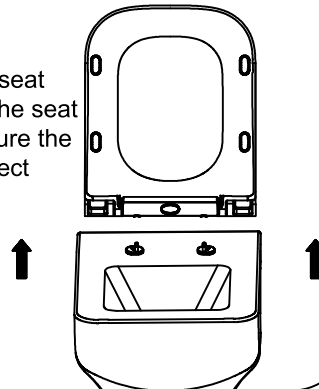
- ③ Attach the toilet seat - this is for correct alignment fitting only.



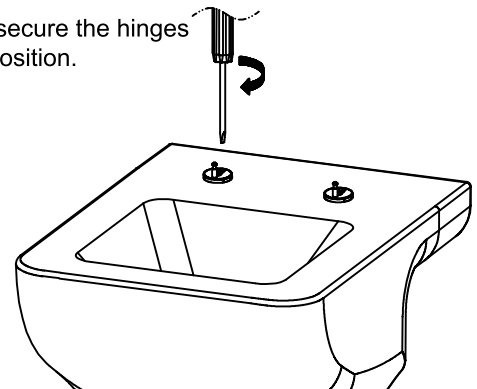
- ④ Adjust to fit the pan



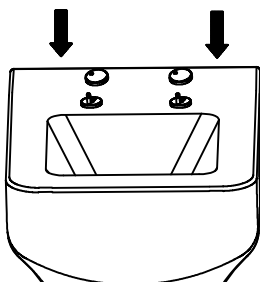
- ⑤ Now carefully remove the seat using the push button on the seat itself. Be careful as to ensure the fittings remain in their correct positions.



- ⑥ Now secure the hinges into position.



- ⑦ Apply the hinge cover caps



- ⑧ Fit the seat and the installation is completed

