



Eurocell Building Plastics Specification Guide

Roofline
Composite doors
Conservatory roofs
Finishing trims
...and more!



All together better

Roofline





High-performance products

Fascias, soffits and associated roofline accessories are essential components for any property. Exposed to the elements and playing a crucial role in protecting the roof space and rafters, these vital products need to be hard-wearing, weather-resistant, long-lasting and – due to their difficult-to-access location – low maintenance. PVC-U products from Eurocell meet and exceed all of these requirements.

Complete roofline systems

Eurocell offers everything you need for a complete, high-performance roofline system, manufactured to the highest quality standards. From fascias, soffits and guttering to dry verge, over-fascia ventilation and all the trims and accessories to complete the job – everything is available from your nearest Eurocell branch.

Up to 20-year guarantees

As well as an exact colour match across our full range of products, we also offer guarantees of up to 20 years against discolouration, warping and cracking on our roofline product range.



Eurocell Building Plastics Ltd, in conjunction with its raw material suppliers, guarantees for a period of 20 years* all its white PVC-U roofline products against discolouration, warping and cracking

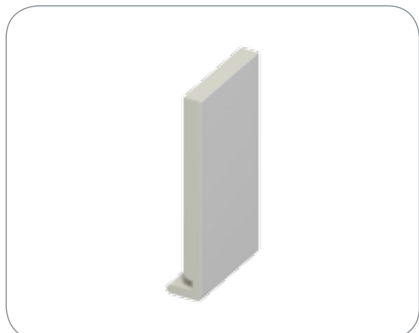


Eurocell Building Plastics Ltd, in conjunction with its raw material suppliers, guarantees for a period of 10 years* all its laminated boards against discolouration, warping and cracking

Euroboard 18mm fascia board

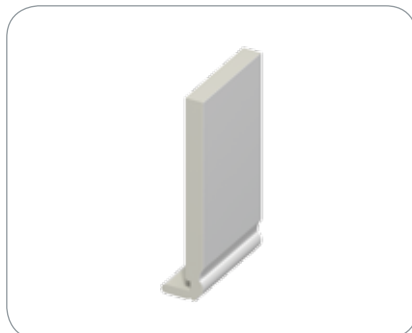


Fascia board is a direct fix product designed for ease of fitting, with low maintenance results. Ideal for both new homes or replacement projects



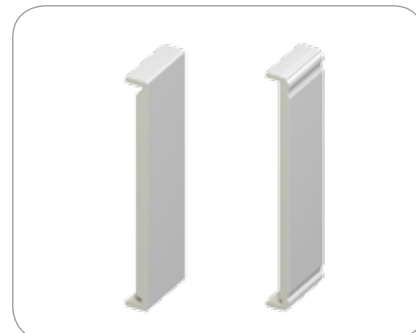
Euroboard 18mm standard

As the flagship Eurocell fascia board, Euroboard is the perfect direct replacement board to make an attractive improvement to any home



Euroboard 18mm ogee

Replacement ogee fascia system, a more decorative alternative to standard fascia board, ideal for new build and refurbishment projects



Double Euroboard standard and ogee

Double Euroboard fascia board is for use on box ends

Accreditations



The Eurocell roofline system Assessment report number 01/3783

Colour options

Standard colour options and finishes:

Our range of Euroboard will enhance any home and is available in colours and styles to suit all tastes. Boards are easy to fit and are fully compatible with our soffit systems for an exact colour match. Colours precisely match our window and door profile systems too!



Note: Not all fascia boards are available in the full range of colours above. For a comprehensive colour availability checklist for each product, see page 61.

Ogee-style Euroboard is available in White only



Euroboard plain fascia in White

As the flagship Eurocell fascia board, Euroboard is the perfect product for new homes or for replacing old fascias. Available in standard profile or a distinctive sculpted ogee style, Euroboard is easy to fit and makes a smart improvement to any home.

At 18mm thick, the boards are sturdy enough to be attached directly to rafters, helping to reduce the cost of fascia replacement. This robust fascia system is designed for long life and low-maintenance, with no painting required.

Euroboard fascias are designed to complement our soffit board range, but are also compatible with all other types of soffit – giving you a choice of styles for your roofline.

Fixing instructions



18mm foam fascia detail

- 1**
Designed for a direct fix, and eliminating the need for a timber substrate, these 18mm thick fascia boards can be secured direct to the rafters at a maximum of 600mm centres using 2 x 65mm A4 stainless steel fixing nails per rafter
- 2**
Care should be taken to ensure that the rafters are level
- 3**
Where any White corner trims, joint trims or angle trims are required, the boards should be cut back 5mm per edge to allow for expansion. If laminated boards are used, the dimension increases to 8mm per edge, and all trims should be secured by gluing one side and leaving the other free for any expansion or contraction
- 4**
The guttering should be secured to every third rafter, although these boards are thick enough to hold extra fixings securely at other points

Please note:

Foiled and laminated boards should be fitted in lengths of **2.5m maximum**, to accommodate the expansion requirements, especially on south facing elevations



9mm foam soffit detail

- 1**
Ensure that prior to fixing soffits, the preservative treatment to the structural timber has dried out
- 2**
All utility boards 100mm-605mm in width should be fixed at a maximum of 600mm centres
- 3**
If ventilation is required, the Eurosoffit board available in 150mm-605mm widths gives the 10mm air gap required for roofs with a pitch in excess of 15°
- 4**
An alternative method of soffit ventilation sees the rigid soffit ventilator joining the Euroboard to the utility boards.
- 5**
If roofspace ventilation has been created by using the over fascia ventilation, the utility board is fitted on top of the ogee or Euroboard leg and secured to the soffit batten using 30mm A4 stainless steel fixing pins



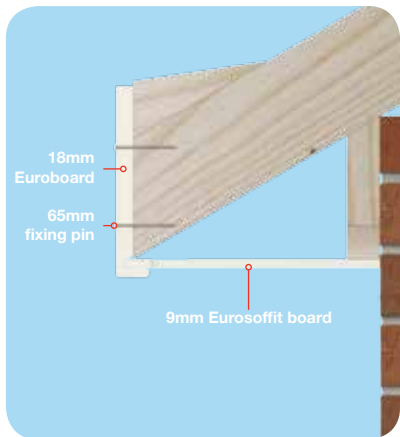
9mm hollow soffit detail

- 1**
Available in 300mm and 100mm widths, these alternative soffit boards can be fitted at right angles or parallel to the full replacement boards giving an attractive tongue and groove effect
- 2**
If no ventilation is required, the hollow soffit can be used on top of the Euroboard leg and fitted to the soffit batten using 25mm cladding pins. If ventilation is required, these boards can also be pre-vented and fitted in the same way
- 3**
A soffit ventilator profile can be used to join the Euroboard fascia and hollow soffit board. If the hollow soffit board is running along its length, the first plank should have the location leg removed, allowing it to fit into the soffit ventilator

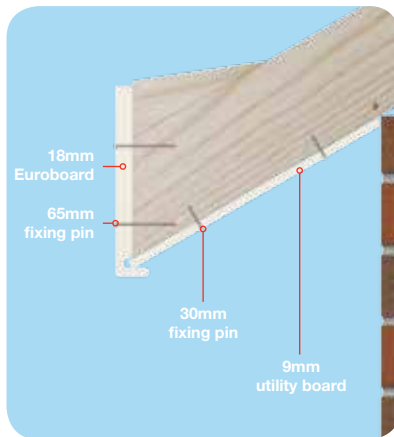
Please note:

Hollow soffits are not designed to be used as external cladding or a fascia system. Failure to comply will invalidate the guarantee

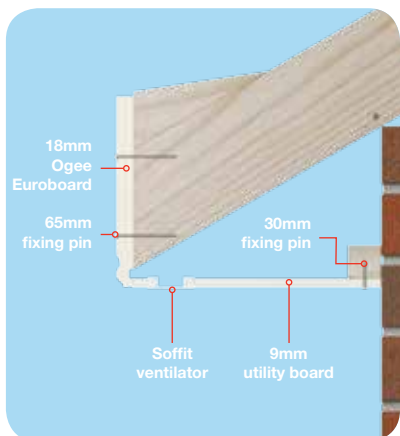
Diagrams



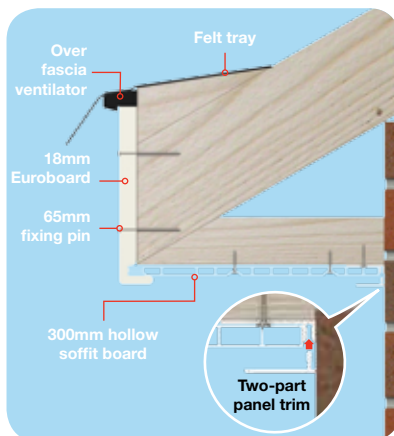
18mm Euroboard fixed directly to the rafter ends, incorporating the 9mm pre-vented Eurosoffit board supported by a timber noggin across the top course of brick work



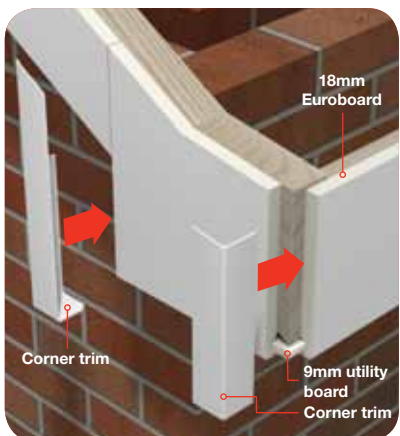
18mm Euroboard profile fixed directly to the rafter ends. Due to the unique design of the angle groove, sloping soffits up to a pitch of 45° can be accommodated using a 9mm utility board



18mm Ogee Euroboard can be used in conjunction with the soffit ventilator and utility board to form the soffit



18mm Euroboard fixed directly with 25mm pins to the rafter ends incorporating the 300mm rigid hollow soffit board, secured with the two-part panel trim. Over fascia ventilator on the top of the Euroboard allows air into the roof space



A gable box end finished with corner trims

Examples of use



18mm Euroboard and 9mm Eurosoffit board



18mm Ogee Euroboard and rigid soffit ventilator with 9mm utility board



18mm Ogee Euroboard and 300mm vented hollow soffit board

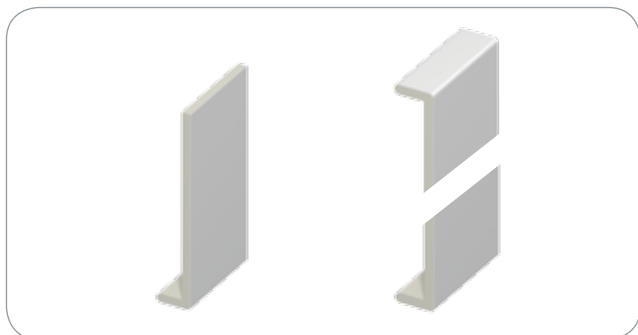


The Euroboard design helps to accommodate a sloping soffit

Capping board 9mm

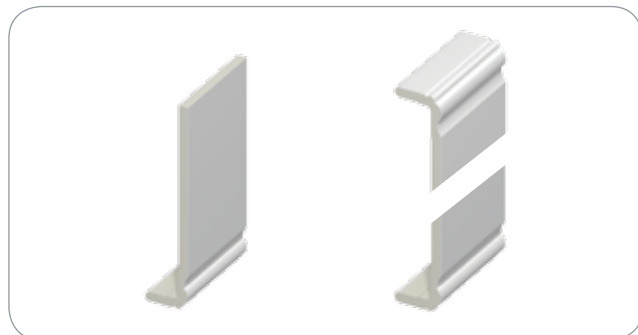


Eurocell capping board is the PVC-U system of choice for fitting new fascias directly on top of existing timber



Capping board 9mm standard and double

Stylish and cost-effective PVC-U boards designed to be fitted over existing sound timber fascias or a timber backboard support



Ogee capping board 9mm standard and double

A more decorative alternative to our straight-edged capping board

Accreditations



The Eurocell roofline system Assessment report number 01/3783

Colour options

Standard colour options and finishes:

Our range of standard and double capping boards will enhance any home and are available in colours and styles to suit all tastes. The boards are easy to fit and are fully compatible with our soffit systems for an exact colour match. The colours precisely match our window and door profile systems too!



Note: Not all capping boards are available in the full range of colours above. For a comprehensive colour availability checklist for each product, see page 61.



Capping board forming a box end in White

Eurocell capping board is the PVC-U system of choice for fitting new fascias directly on top of existing timber. The 9mm thick plastic capping board is available in a choice of standard or sculpted ogee styles to suit any home. It's an attractive, easy to install solution for any replacement roofline project.

The board is designed for ease of fitting and low maintenance, with no painting required. It is simply attached to the existing timber fascia or, where the fascia has rotted, to a new timber backboard for a first-class, long-lasting installation.

Our capping board is compatible with a whole range of soffit styles, giving you even more choice in the appearance of your roofline.

Please note: Corner trims should be glued, not nailed

Fixing instructions



9mm foam fascia detail

- 1**

All existing fascia material should be removed, and structural timbers checked for any evidence of rotting (and replaced, where required, using treated timber). Likewise the roofing felt should be inspected for any sign of damage and replaced accordingly
- 2**

All standard and ogee capping boards 150mm - 300mm in depth should be fixed to a 6mm external quality plywood backboard, ensuring the profile follows a straight line between the rafter. Although not advised if secured to an existing timber fascia, all rotten wood must be removed and replaced with timber that has been treated with a wood preservative
- 3**

The capping boards should be secured to each rafter using 2 x 50mm stainless steel nails. These products are not load bearing, and all roof tiles must be supported by a tilting fillet, which deflects the bottom tile from the top of the fascia
- 4**

The fixing of finishing trims follows the same procedure as the thicker Euroboard fascias (see page 13),

9mm foam soffit detail

- 1**

Ensure that prior to fixing soffits, the preservative treatment to the structural timber has dried out
- 2**

All utility boards 100mm-605mm in width should be fixed at a maximum of 600mm centres
- 3**

If no ventilation is required, the utility board is fitted on top of the capping board leg and secured to the soffit batten using 30mm stainless steel fixing pins
- 4**

If soffit ventilation is required, the Eurosoffit board (available in 150mm-605mm widths) gives a 10mm or 25mm air gap required for roofs with a pitch in excess of 15°
- 5**

An alternative method of soffit ventilation sees the rigid soffit ventilator joining the capping board to the utility board

9mm hollow soffit detail

- 1**

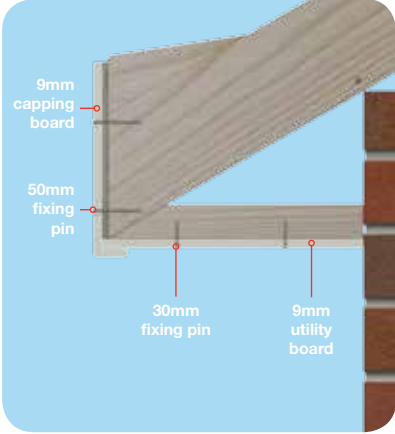
Please follow the details shown on page 13, substituting the 18mm Euroboard full replacement system with the 9mm capping board replacement system

Please note:

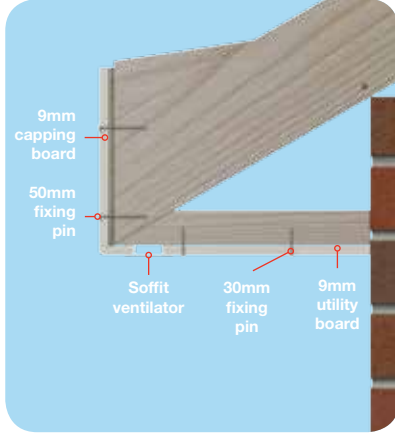
Hollow soffits are **not designed** to be used as external cladding or a fascia system. Failure to comply will invalidate the guarantee.

Foiled and laminated boards should be fitted in lengths of **2.5m maximum**, to accommodate the expansion requirements, especially on south facing elevations.

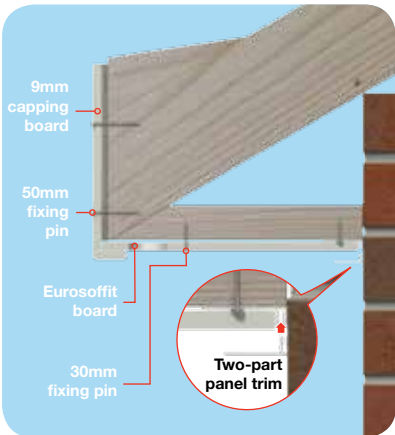
Diagrams



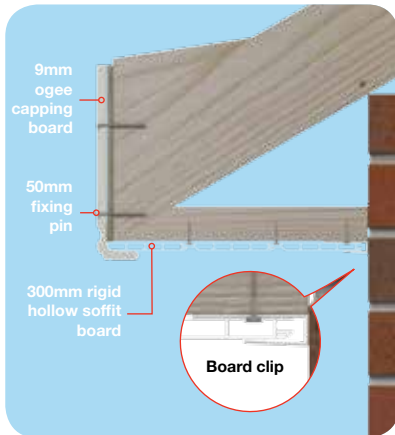
9mm capping board with new timber backboard and 9mm utility board



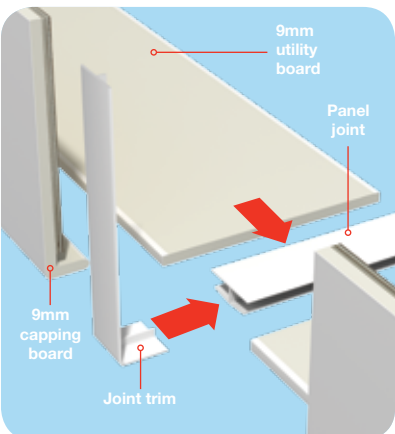
9mm capping board with new timber backboard featuring the 10mm airspace soffit ventilator with 9mm utility board



9mm capping board with new timber backboard featuring Eurosoffit board, finished with two-part panel trim



9mm ogee capping board with new timber backboard featuring the 300mm rigid hollow soffit running parallel to fascia, finished with a board clip



Panel joint and joint trim

Please note:
All fascias are shown affixed to a timber backboard, with timber fillets for additional support

Examples of use



9mm capping board with 9mm utility board, fitted to a new 6mm plywood substrate



9mm capping board and 300mm hollow soffit board



Joint detail

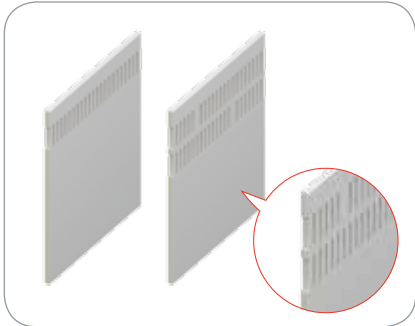


Gable end showing corner trims

Soffit board

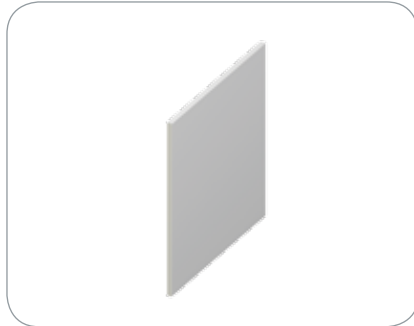


Eurocell manufactures a complete range of soffit boards that perfectly complement our fascias. These high quality components give your roofline an attractive, clean-edged finish and require minimal maintenance



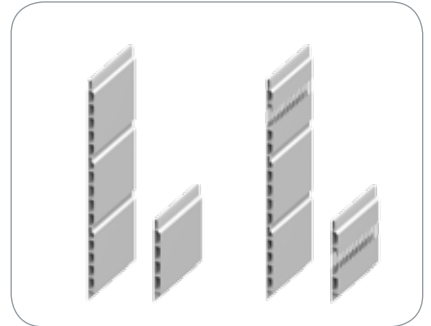
Eurosoffit board 10mm & 25mm airspace

With built-in ventilation slots (10mm or 25mm) to ensure the roof is well ventilated at all times, preventing damp and protecting rafters from rot



9mm utility board

Provides a simple, clean look. See page 24 for ventilation accessories to maintain airflow through the roof space



Hollow soffit board standard & vented

A lightweight, cost-effective soffit solution, which can also be fitted with our highly effective ventilators

Accreditations



The Eurocell roofline system Assessment report number 01/3783

Colour options

Standard colour options and finishes:

Our stylish soffits will enhance any home and are available in colours and styles to suit all tastes. Soffits are easy to fit and are fully compatible with our fascia systems for an exact colour match. The colours precisely match our window and door profile systems too!



Note: Not all soffit boards are available in the full range of colours above. For a comprehensive colour availability checklist for each product, see page 61.

Eurosoffit board (25mm airspace) is available in white finish only



Vented hollow soffit board in White



Utility board in White

Roof ventilation and eaves protection



Configure your roofline for optimum ventilation results with our range of ventilators and accessories



Disc ventilators

Your roofline solution can be further enhanced by various add-ons which help improve ventilation and prevent birds from getting into roof spaces.

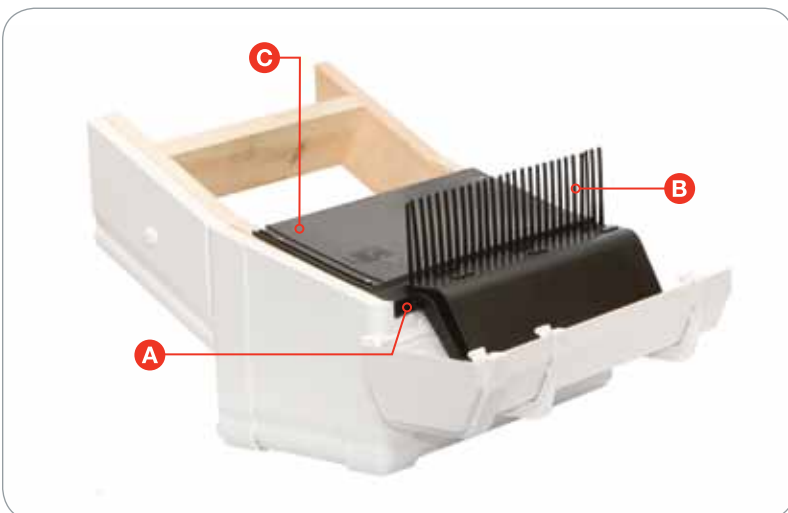
Our 70mm disc ventilators can be installed onto soffits to offer additional airflow in roof spaces. These are available in White, Black and Oak finishes.



Over-fascia ventilation

The over-fascia ventilation products supplied by Eurocell are easily installed, providing exceptional eaves ventilation for all new-build or re-roofing projects. They are available in 0.9m and 1m lengths and 10mm and 25mm depths, delivering varying ventilation capacities.

When installed along the whole length of the eaves, the 10mm vent provides the equivalent of a continuous 10mm opening (10,000mm² per metre run), while the 25mm vent provides the equivalent of a continuous 25mm opening.



3-in-1 solution

In addition to these individually available items, there is a 3-in-1 solution (as shown left) which combines:

- A** Over-fascia ventilation which sits underneath the felt tray
- B** Eaves comb filler
- C** In-built felt tray which prevents the roof felt from sagging and allowing pools of water to form