



More freedom and flexibility when you cook

Experience kitchen planning freedom and flexibility with the 6000 Bridge with eXTractor Hob. This induction hob has a built-in extractor and bridge function allowing you to combine two cooking zones into one large zone for more versatility.

Product Benefits & Features

Combine 2 cooking zones with Bridge

The Bridge function combines two cooking zones together to fit any large or long pan. Sharing the same temperature and time setting, the linked zones are ideal when you're cooking for dinner parties or bigger celebrations.



Get more from cooking with 4 Individual Zone Controls

4 Individual Zone Controls allow you to command 4 different cooking zones and set separate timers for each. Other functions include 9 power levels, power boost, active touch, child lock and hob2Hood control.

Easy to clean. Easy to remove. 2-in-1 Filter

The 2-in-1 Filter combines both a charcoal and grease filter that removes odours and grease. If the appliance is installed in recirculation mode, then a 2-in-1 filter is needed. The Filter is easy to remove and can be washed in the dishwasher.



Automated extraction. With Hob2Hood®

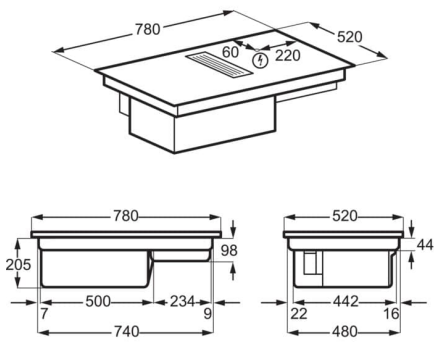
Hob2Hood® technology allows for automated extraction during cooking. If you turn the temperature up or down on the hob, the extractor's fan will adjust itself accordingly. Meaning all your focus goes into your food.

Boost function. Cleans kitchen air quickly

When kitchen fumes or steam become too much, press the Boost function on the extractor for instant powerful extraction. Boost is activated for 10 min to efficiently clean the kitchen air.

Product Specification

PSGBHH220DE00008



PSGBHH220DE0000A

