

ASSEMBLY & INSTALLATION INSTRUCTIONS

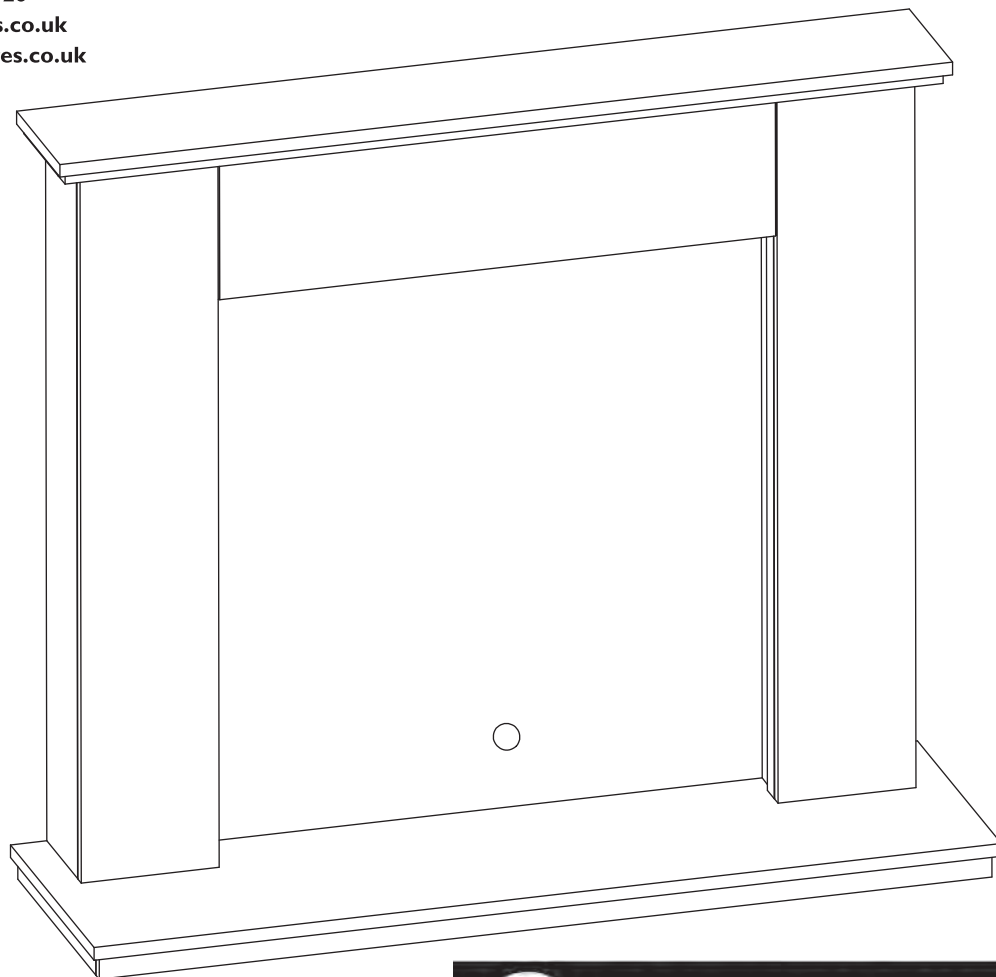


Focal Point Fires Ltd
Christchurch, Dorset BH23 2BT
Tel: 01202 49933499330
Fax: 01202 499326
www.focalpointfires.co.uk
e : sales@focalpointfires.co.uk

Focal Point Fires Ltd
RBK House, Irishtown, Athlone,
Co. Westmeath, N37 XP52,
Ireland Tel: 01202 499330
Fax: 01202 499326
www.focalpointfires.co.uk
e: sales@focalpointfires.co.uk

MODELS COVERED BY THESE INSTRUCTIONS

F820937 LASHENDEN BLACK SURROUND SET
DS-FS22



3 YEAR GUARANTEE

SUBJECT TO TERMS & CONDITIONS

For details please see: www.focalpointfires.co.uk or telephone
01202 588635 Option 4

Please note : Except where otherwise stated, all rights, including copyright in the text, images and layout of this booklet is owned by Focal Point Fires Ltd. You are not permitted to copy or adapt any of the content without the prior written permission of Focal Point Fires Ltd.

All instructions must be handed to the user for safekeeping.

Revision C 11/21

© 2021 Focal Point Fires Ltd.

Section	Contents	Page No.	Section	Page No.
1.0	Important notes	2	5.0	Installation
2.0	Appliance data	3	6.0	Cleaning/ finishing
3.0	Hardware & parts list	3	7.0	Servicing
4.0	Assembly	4	8.0	Guarantee - terms and conditions

1.0 IMPORTANT NOTES

IMPORTANT - THESE INSTRUCTIONS SHOULD BE READ CAREFULLY AND RETAINED FOR FUTURE REFERENCE.

When using this surround, basic precautions should be followed to reduce the risk of fire, electric shock and injury to person, including the following:

- This surround must be used on an AC supply only and the voltage marked on the surround's rating label must correspond to the supply voltage.
- **DO NOT** switch the lights on until it is properly installed as described in this manual.
- This surround can be used by children aged from 8 years and above and persons with reduced physical, sensory or mental capabilities or lack of experience and knowledge if they have been given supervision or instruction concerning use of the appliance in a safe way and understand the hazards involved. Children shall not play with the appliance. Cleaning and user maintenance shall not be made by children without supervision.
- Children of less than 3 years should be kept away unless continuously supervised. Children aged from 3 years and less than 8 years shall only switch on/off the appliance provided that it has been placed or installed in its intended normal operating position and they have been given supervision or instruction concerning use of the appliance in a safe way and understand the hazards involved. Children aged from 3 years and less than 8 years shall not plug in, regulate and clean the appliance or perform user maintenance.
- **CAUTION:** Some parts of this product can become very hot and cause burns. Particular attention has to be given where children and vulnerable people are present.
- If the supply cord is damaged, it must be replaced by the manufacturer, its service agent or similarly qualified persons in order to avoid a hazard.
- **DO NOT** use this surround in the immediate surroundings of a bath, a shower or a swimming pool.



- **WARNING:** In order to avoid overheating, do not cover the surround.
- **DO NOT** use this surround with a programmer, timer, separate remote-control system or any other device that switches the heater on automatically, since a fire risk exists if the heater is covered or positioned incorrectly.
- Keep furniture, curtains and other fabric material away from the surround.
- **DO NOT** leave the surround unattended during use.
- From time to time, check the cord for damage. Never use the surround LEDs if the cord or any part of the cable shows signs of damage.
- **DO NOT** run the mains cable under carpets, rugs etc.
- Never immerse the product in water or any other liquids.
- **DO NOT** use the appliance outdoors.
- Before cleaning the appliance, ensure it is unplugged from the power and that it is completely cool.
- **DO NOT** clean the appliance with abrasive chemicals.
- Never use accessories that are not recommended or supplied by the manufacturer. It could cause danger to the user or damage to the appliance.
- **DO NOT** install the fire using an extension cord.
- Unplug from the mains supply if the appliance is not to be used for long periods.

1.0 IMPORTANT NOTES

GB IE

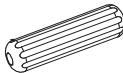


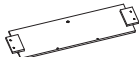




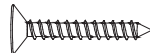


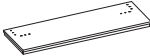


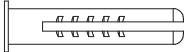

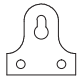
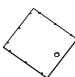



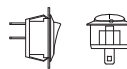
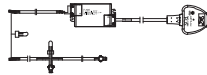


- The assembled Fire Surround must be fixed/ secured to the wall.
- The wall must be sturdy and in good repair.
- Some walls require alternative fixings (not included).
- Before drilling into the wall, check for hidden pipes and cables.

2.0 APPLIANCE DATA

Supply Voltage : 220-240V~50Hz
 Location : Indoor use only
 LEDs : 2W

Fuse Rating : 3 Amp
 Thermal Cutout : 60°C
 Supply plug/cord : BS1363/ 2.64 meters length

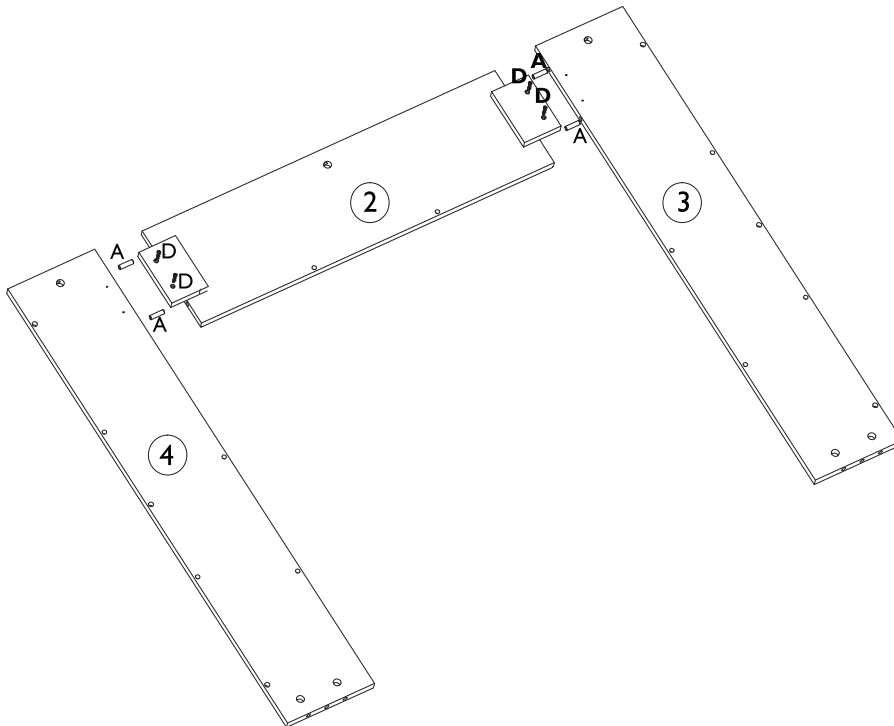
3.0 HARDWARE & PARTS LIST

CODE	NAME	FIGURE	QUANTITY	CODE	NAME	FIGURE	QUANTITY
A	WOOD DOWELS (8X30mm)		22PCS	①	TOP PANEL		1PCS
B	CAM LOCKS (15X9mm)		17PCS	②	FRONT PANEL		1PCS
C	CAM BOLTS (6X40mm)		17PCS	③	LEFT SIDE LEG		1PCS
D	WOOD SCREWS (3.5X25mm)		13PCS	④	RIGHT SIDE LEG		1PCS
E	WOOD SCREWS (3.5X16mm)		9PCS	⑤	SIDE PANEL		2PCS
F	WALL SCREWS (4X30mm)		2PCS	⑥	HEARTH		1PCS
G	WOOD SCREWS (3X12mm)		4PCS	⑦	INSIDE PANEL		1PCS
H	WALL PLUGS (6X30mm)		2PCS	⑧	INSIDE LEGS		2PCS
I	MIRROR PLATES (45X43mm)		2PCS	⑨	BLACK BACK PANEL		1PCS
J	GLUE (10g)		1PCS				
K	ALLEN KEY		1PCS				
1A	LED DOWNLING		2PCS				
2A	ON/OFF SWITCH		1PCS				
3A	POWER CABLE		1SET				
AA	SCREWS (4X12MM)		6PCS				
BA	WIRE CLIP		1PCS				

TOOLS REQUIRED

Cross headed screw driver PZ2 (3inches in length or greater)
 Drill 8mm and a 2mm suitable drill bit
 Pencil
 Tape measure

STEP 1

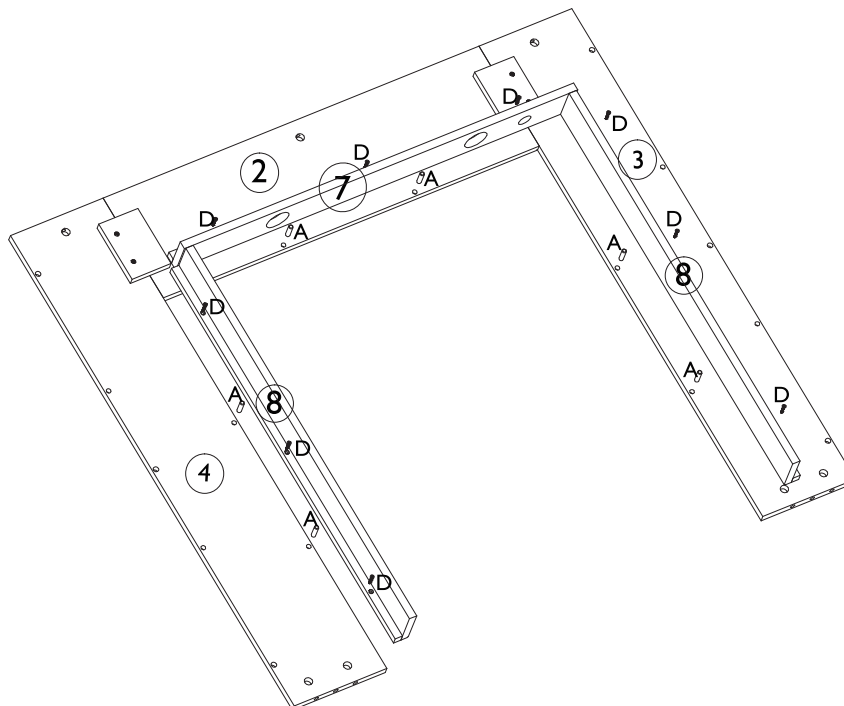


Fixings	Parts
A X 4PCS	2
D X 4PCS	3
	4

Gently lay both legs you have prepared onto a suitable protected surface. Be extremely careful not to scratch the front edges of the legs. **DO NOT DRAG THE LEGS!** Make sure that the legs are lifted every time they are moved to avoid them from being damaged.

Add a drop of glue (J) in to each dowel hole, in the left side leg (3) then insert 2x dowels (A) in to the left side leg (3). Using another drop of glue (J) in the dowel holes in the front panel (2) then push the front panel (2) on to the dowels (A). Using a cross headed screw driver, screw the 2x wood screws (D) into position, securing the two parts together. Repeat the process to connect the right side leg (4) to the front panel (2).

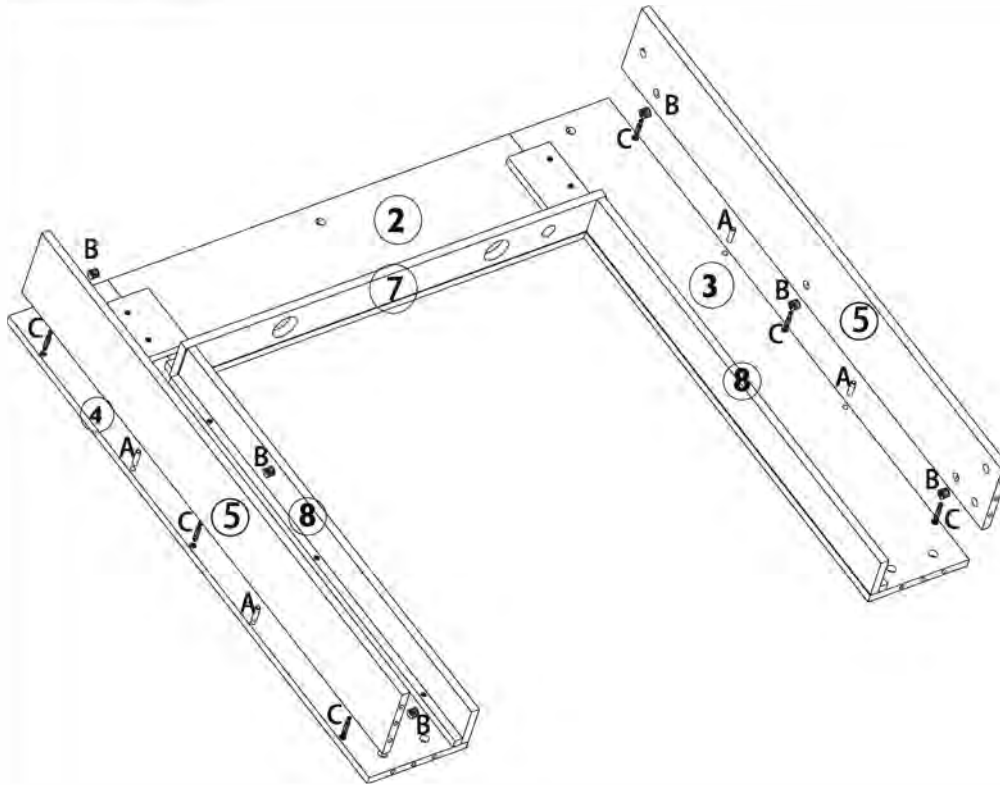
STEP 2



Fixings	Parts
A X 6PCS	2
D X 9PCS	3
	4
	7
	8

Insert some glue (J) into the 6x dowel holes in the rear of the front panel (2), right side panel (4) and the left side panel (3). Insert the 6x wooden dowels (A) into place. Place a small amount of glue (J) into the dowel holes in the 2x inside legs (8) and the inside panel (7). Then insert the inside legs (8) and inside panel (7) onto the wooden dowels (A) on the rear of the surround. Once both inside legs (8) and inside panel (7) are in position, screw the 9x 3.5x25mm wood screws (D) in place, securing the inside legs (8) and the inside panel (7) to the surround.

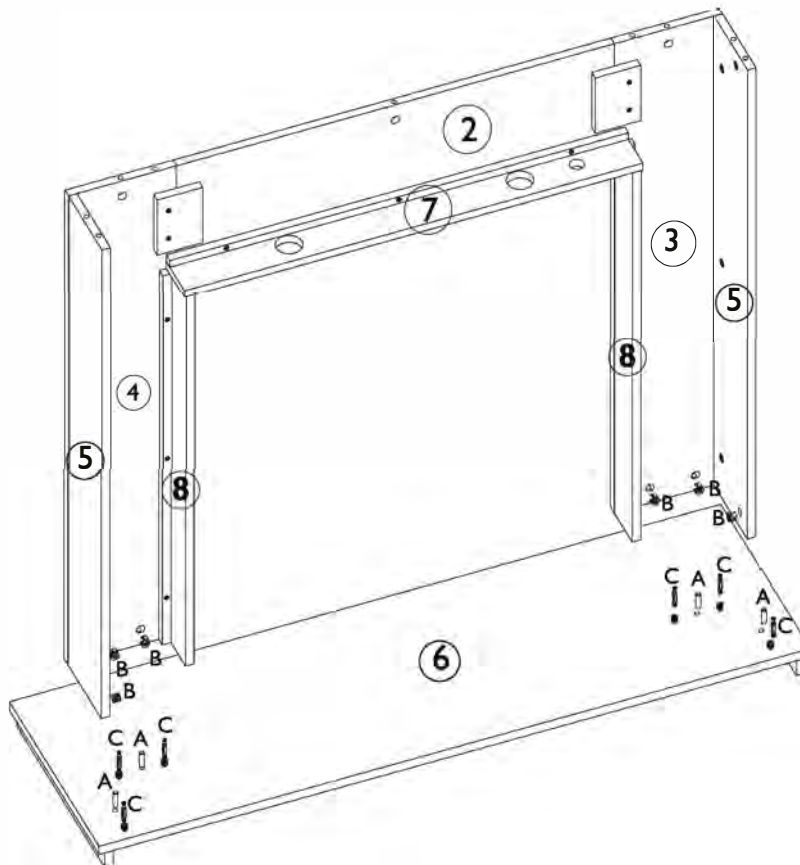
STEP 3



Fixings	Parts
A X 4PCS	2
B X 6PCS	3
C X 6PCS	4
	5
	7
	8

Insert some glue (J) in to the 2x dowel holes in each side leg (3 and 4). Insert 4x dowels (A) into the side legs (3 and 4). Then with a cross headed screw driver, carefully screw 6x cam bolts (C) in to the side legs (3 and 4). Place some glue (J) into the dowel holes in the ends of the side panels (5). Insert the side panels (5) the correct way around onto the side legs (3 and 4), making sure all the inserts are in the correct position. Insert the cam locks (B), into the side panels (5). Once in position, turn the cam locks (B) with a cross headed screw driver clockwise to lock the parts together.

STEP 4

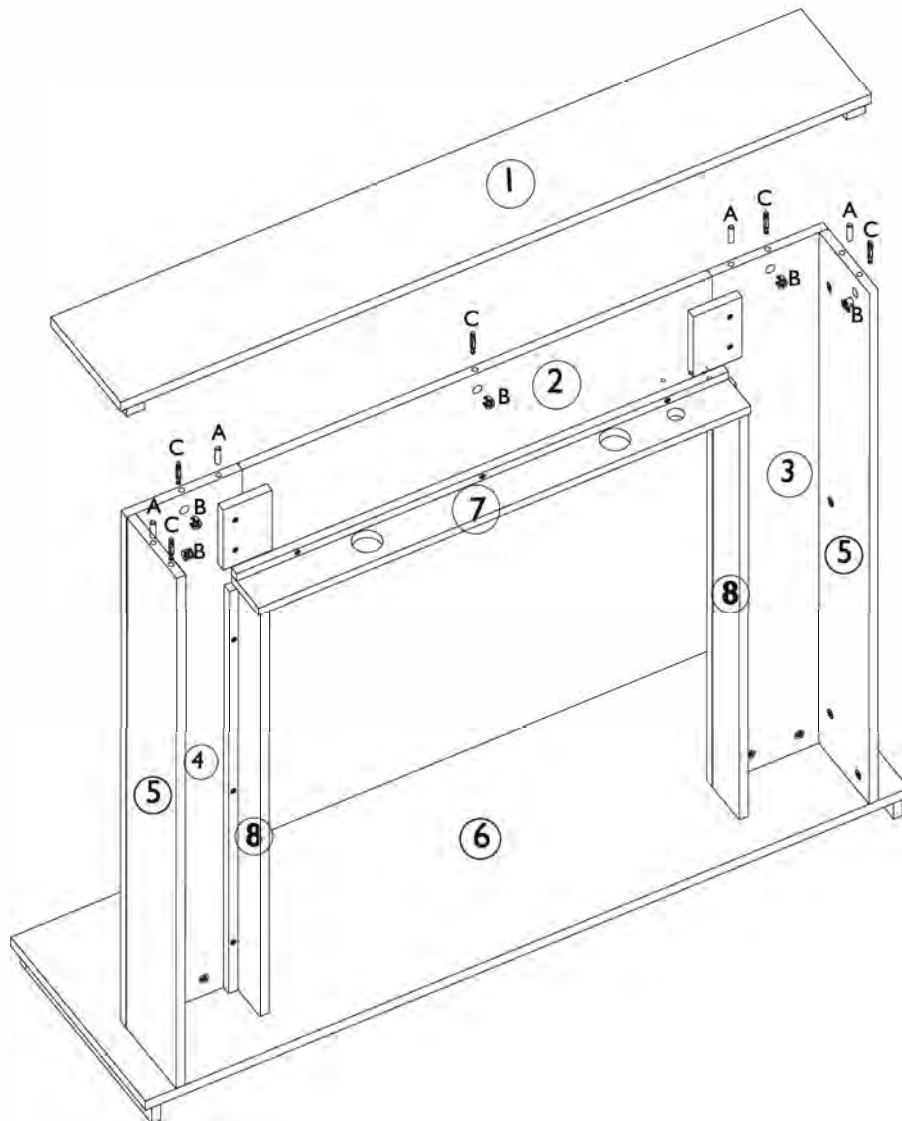


Fixings	Parts
A X 4PCS	2
B X 6PCS	3
C X 6PCS	4
	5
	6
	7
	8

Firstly insert 4x wooden dowels (A) with glue (J) into the top of the hearth (6). With a cross headed screw driver, carefully insert 6x single headed cam bolts (C) into the top of the hearth (6). For this step we recommend to use two people.

Carefully lift the surround over the hearth (6) ensuring that all 6x single headed cam bolts (C) and 4x wooden dowels (A) insert the bottom edges of the surround. Once all 6x single headed cam bolts (C) and wooden dowels (A) are correctly in position, insert 6x cam locks (B) into the rear of the surround and tighten together using a cross headed screw driver.

STEP 5



Fixings	Parts
A x 4PCS	1
B x 5PCS	2
C x 5PCS	3
	4
	5
	6
	7
	8

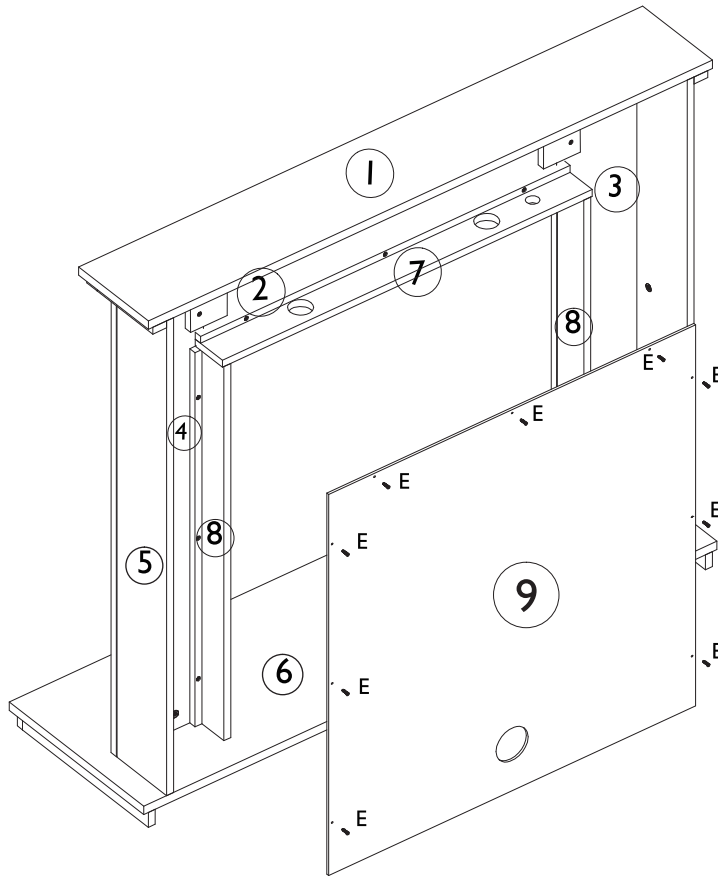
Insert some glue (J) into the 4 x wooden dowel holes in the top of the legs, side panels and front panel (2 and 5). Then insert 4 x wooden dowels (A) into the wooden dowel holes.

Next prepare the top panel (1) by carefully screwing 5x cam bolts (C) into position with a cross headed screw driver. Place some glue (J) into the dowel holes in the top panel (1) then carefully install the top panel (1) onto the surround, making sure all inserts are in the correct position. Once home, insert 5x cam locks (B) in to the rear of the surround and tightened, securing the pieces together.

STEP 6

Fixings
E X 9PCS

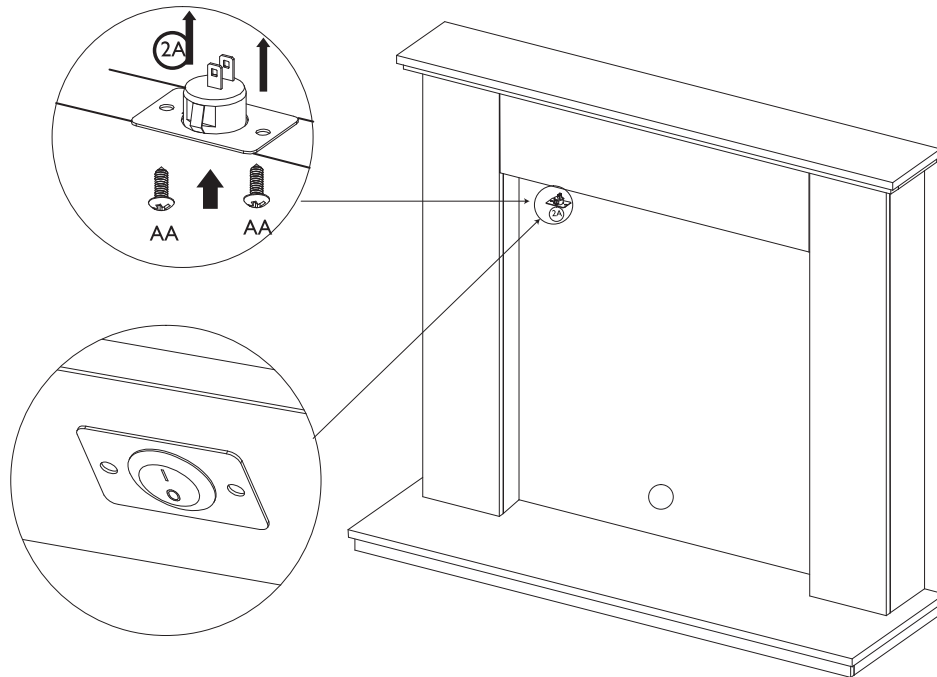
Parts
1
2
3
4
5
6
7
8
9



Offer the back panel (9) on to the rear of the surround. Ensuring that the plug cut out hole is at the bottom, line the edges of the back panel (9) up with the edges of the inside panel (7) and inside legs (8). Once correctly in line, screw 9x 3.5x16mm wood screws (E) through the rear of the back panel (9) and in to the rear of the inside panel (7) and inside legs (8).

STEP 7

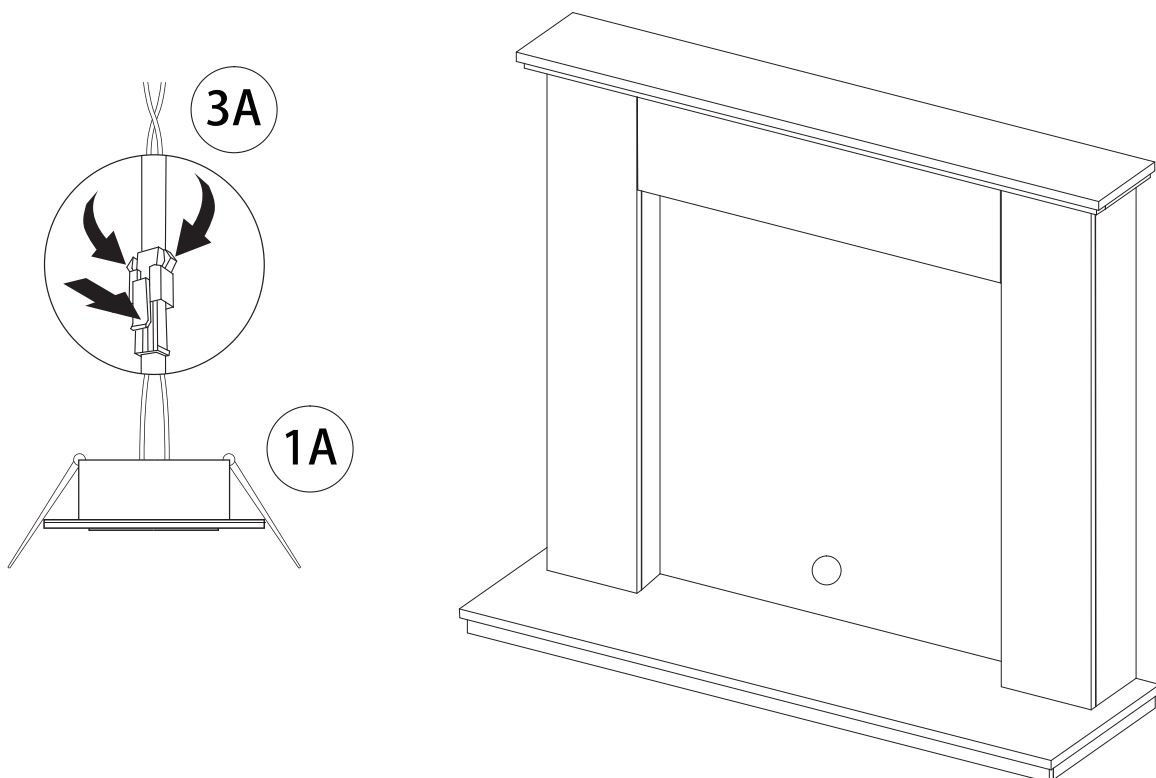
Fixings Parts
AAX 2PCS **2A**



Insert the ON/ OFF switch (2A) into the underside of the inside panel (7). Then with a cross headed screw driver, screw the 2x 4x12mm screws (AA) into position, securing the ON/ OFF switch in to place.

STEP 8

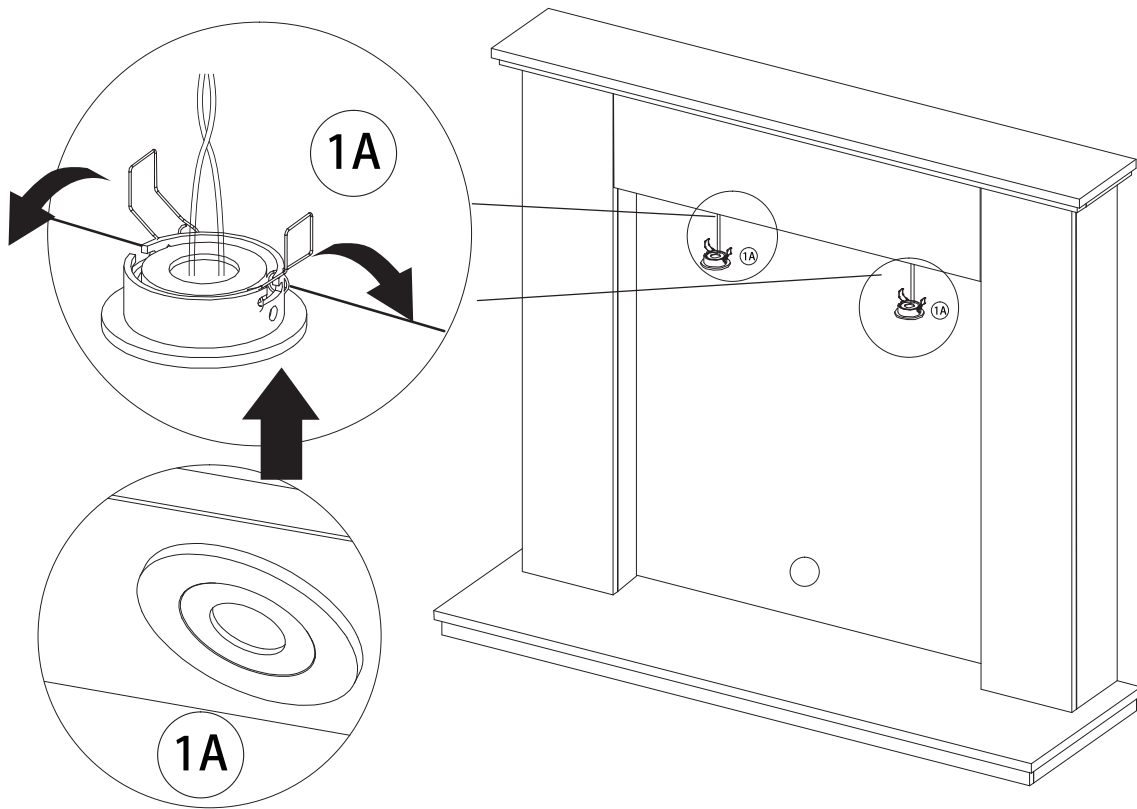
Parts
1A
3A



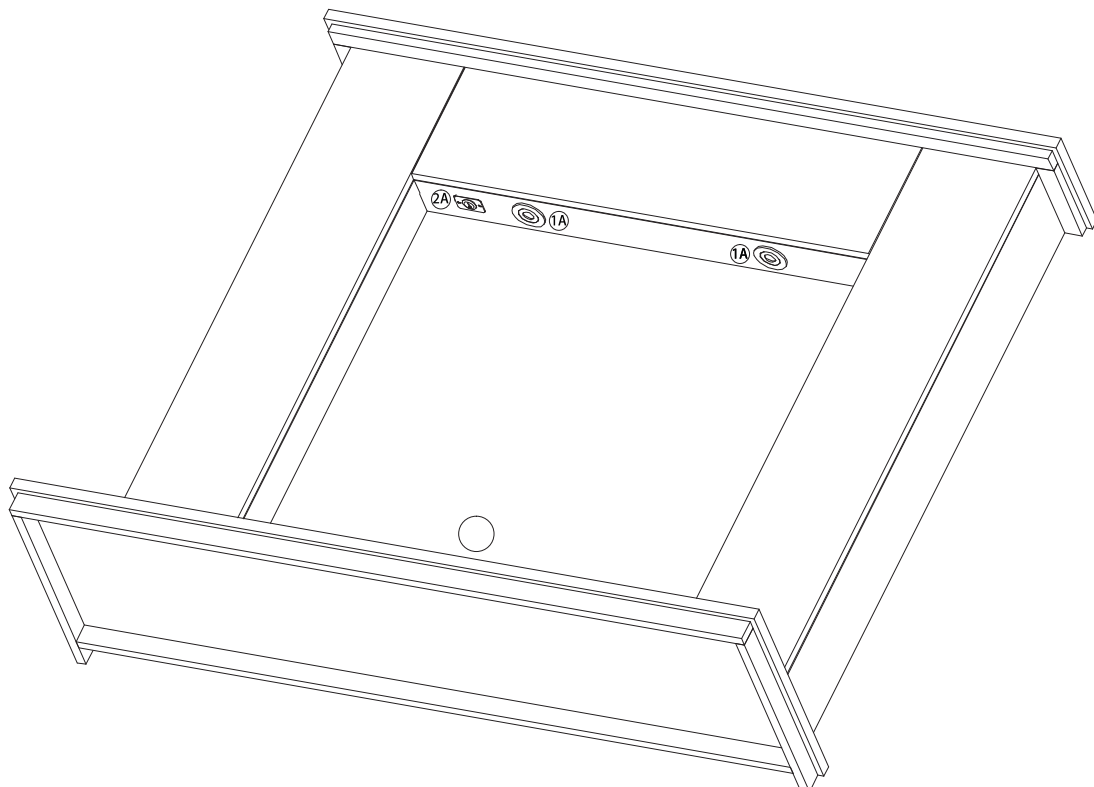
Release the connections between the down lights 2x (1A) and the power cable (3A).

STEP 9

Parts
IA



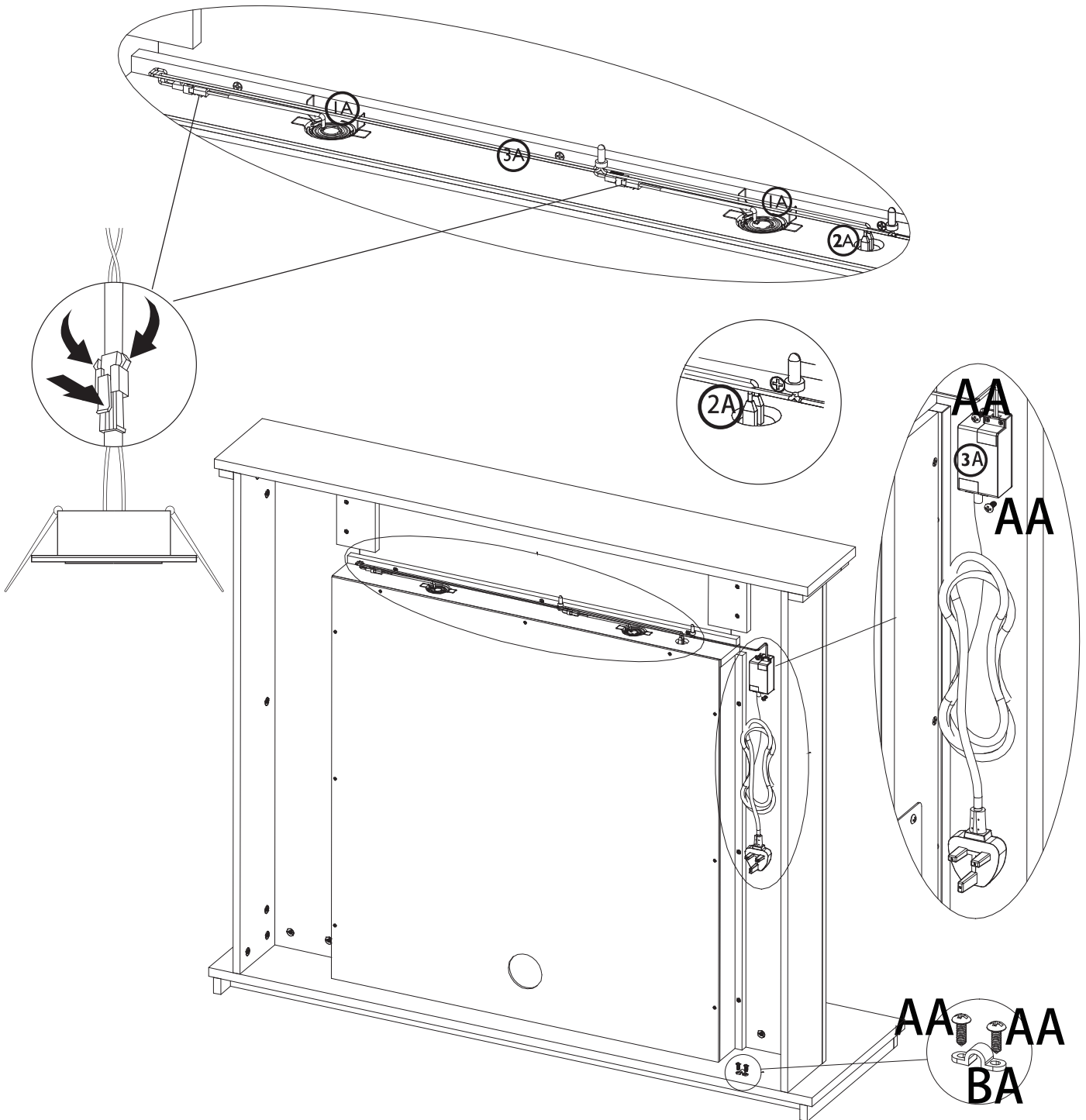
Insert the wires from the down lights (IA) through the holes in the inside panel (7) then hold the spring clips on the down lights (IA) in, insert through the holes, then gently release the spring clips, clamping the down lights (IA) in to place.



STEP 10

WARNING! DO NOT PLUG IN UNTIL FULLY ASSEMBLED

Fixings	Parts
AA X 4PCS	1A
BA X 1PCS	2A
	3A

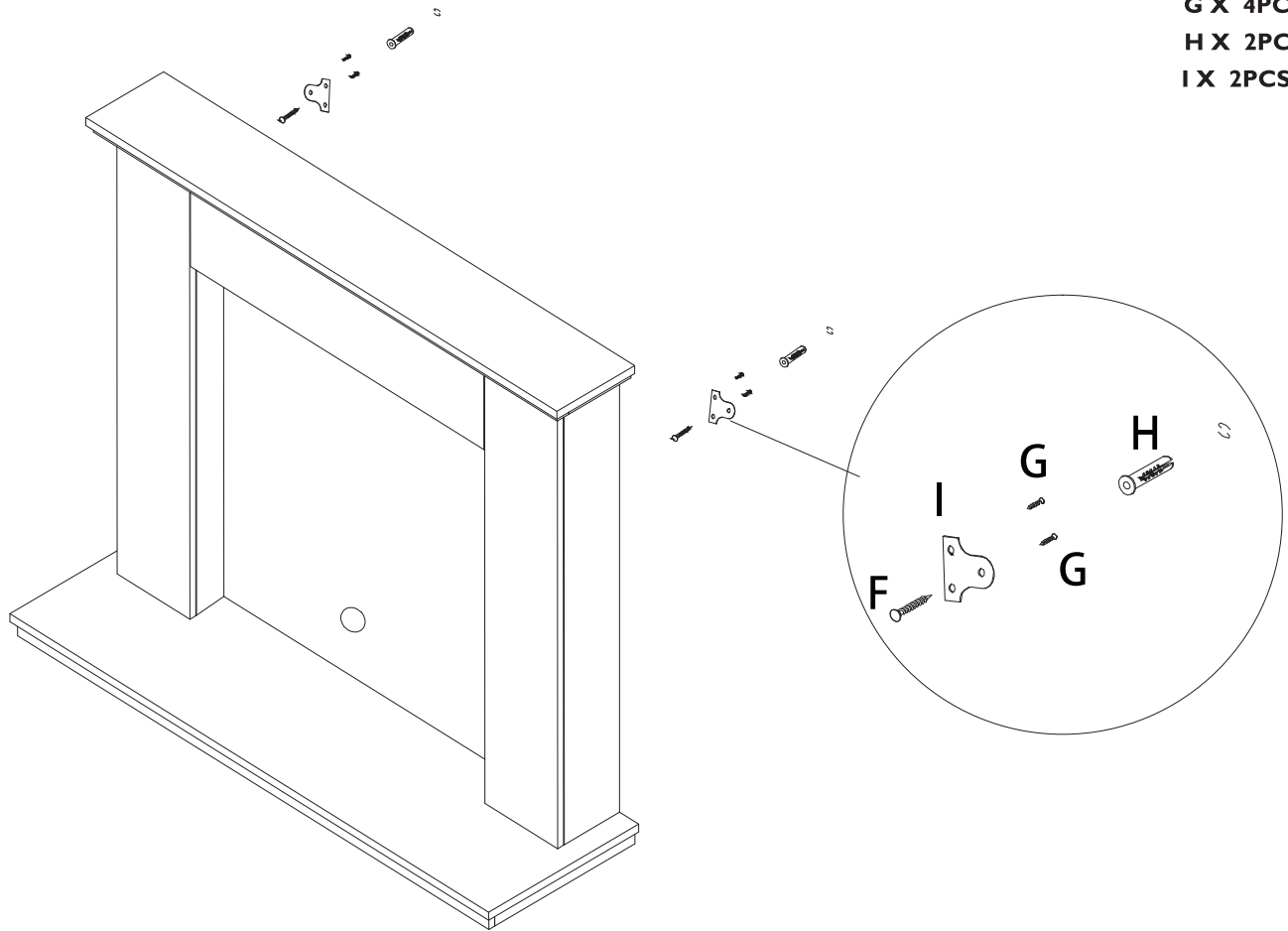


Connect the spade connectors from the power cable (3A) to the terminals on the ON/ OFF switch (2A) then connect the power cable (3A) to the 2x down lights (1A). With 2x 4x12mm wood screws (AA) screw the control box from the power cable (3A) in to position. Feed the power cable (3A) through the bottom of surround, then insert the power cable (3A) through the wire clip (BA). Ensuring the wire is not trapped, screw the 4x12mm screws (AA) into place with a cross headed screw driver.

5.0 INSTALLATION

GB IE

Fixings
F X 2PCS
G X 4PCS
H X 2PCS
I X 2PCS



With a pencil mark out the desired height where you would like the mirror brackets (I) to be situated on the rear of the legs. To avoid splitting the leg, pre drill the bracket holes with a 2mm drill bit, Now attach the brackets to the legs using the 3x12mm screws (G). Once the brackets are in position, centre and level the hearth into its final fitting position. Mark with a pencil on the wall where you wish to drill. Remove the surround and prepare the wall from the marked positions. If using the fixings supplied, drill a hole in the wall using a 6mm drill bit. If not, use a suitable drill bit for the wall plugs you are using. Insert the wall plugs (H) into position. Offering the surround back up into position against the wall, you are now able to secure the surround to the wall using the 4x30mm screws (F).

6.0 CLEANING/ FINISHING

GB IE

Before carrying out any of the following operations, ensure that the appliance is OFF and completely cold. Regularly clean around the appliance to ensure that dust, fluff, pet hair etc, are kept to a minimum. There are no other specific requirements for care, other than regular cleaning of the general appliance.

A wipe with a dry cloth is normally sufficient. **DO NOT** use abrasive cleaners as they can damage the finish. Test on a hidden part before cleaning. Clean only in the direction of the grain. Regularly check the surround is securely fixed in position.

7.0 SERVICING

There are no internal user serviceable parts.

Check regularly for security of wall fixings as appropriate. Also check security of supply cable and connections. If the supply cable becomes damaged, it must be replaced by a service agent or competent person, such as a qualified electrician.

This appliance is supplied with a BS1363 3 pin plug fitted with a 3 Amp fuse. Should the fuse require replacing, it must be replaced with a fuse rated at 3 Amp and approved to BS1362. In the event of the mains plug being removed/ replaced for any reason, please note : **IMPORTANT:** The wires in the mains lead are coloured in accordance with the following code:

Blue - Neutral

Brown - Live

Green/Yellow - Earth

As the colours of the wires in the mains lead of this appliance may not correspond with the colour markings identifying the terminals in your plug, proceed as follows.

The blue wire must be connected to the terminal marked with an N or coloured black.

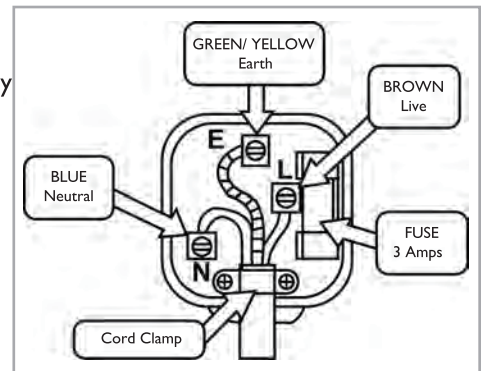
The brown wire must be connected to the terminal marked with an L or coloured red.

The green/yellow wire must be connected to the earth terminal which is marked with an E or with the earth symbol.

WARNING: Never connect live or neutral wires to the earth terminal of the plug.

NOTE: If a moulded plug is fitted and has to be removed take great care in disposing of the plug and severed cable, it must be destroyed to prevent engaging into a socket.

Refer to Section 2.0, Appliance Data for fuse specification. Excluding fuses, use only genuine manufacturers spare parts available from your supplier.



8.0 GUARANTEE - TERMS AND CONDITIONS

The 3 year guarantee commences from the date of purchase, provided that the terms and conditions are adhered to:

Registration is not required.

1. For any claim to be made within the 3 years from date of purchase you will be required to provide and supply us with your proof of purchase.

Making a claim is easy.

If you wish to make a claim under our 3 year guarantee and all the terms and conditions for your product have been met then please submit the following information for the attention of the 3G Service Department to the address below. Alternatively, you can email or fax. Please note that this does not affect your statutory rights.

Focal Point Fires Ltd, 3G Service Department, Reid Street, Christchurch, Dorset, BH23 2BT.

Alternatively email: 3g@focalpointfires.co.uk or fax. 01202 499326.

Details required:

1. Name, full address including post code and contact telephone number.
2. Receipt of purchase or credit card statement.



This product complies with conformity requirements of the applicable European Regulations or Directives.



This product complies with conformity requirements of the applicable UK Regulations.



Waste electrical products should not be disposed of with household waste. Please recycle where facilities exist. Check with your local authority or retailer for recycling advice.

As our policy is one of continuous improvement and development, we therefore hope that you will understand we must retain the right to amend details and/or specifications without prior notice.

As our policy is one of continuous improvement and development, we hope therefore you understand we must retain the right to amend details and/or specifications without prior notice.