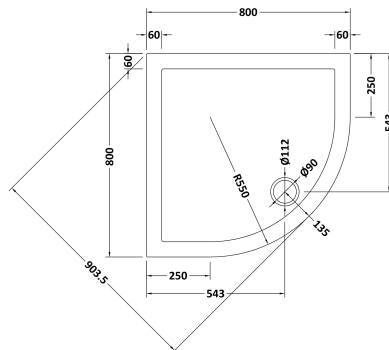


Sales Code: NTP105

Description: Quad Tray 800 X 800



Product Dimensions

| | |
|-------------------|-------|
| Length (mm): | 0 |
| Width (mm): | 0 |
| Height (mm): | 0 |
| Nett Weight (kg): | 15.38 |

Packaging Dimensions

| | |
|--------------------|------|
| Length (mm): | 840 |
| Width (mm): | 840 |
| Height (mm): | 80 |
| Gross Weight (kg): | 15.4 |

Packaging Data

| | |
|---------------|--------------------------|
| Box Colour: | Shrinkwrap & Polystyrene |
| Box Qty: | 0 |
| Label Size: | 0 x 0 |
| Label Colour: | White Label |
| Label Qty: | 0 |

Outer Box Dimensions (If Applicable)

| | |
|--------------------|---------------|
| Length (mm): | |
| Width (mm): | |
| Height (mm): | |
| Gross Weight (kg): | |
| Barcode: | 5055369006199 |

Product Details

| | |
|----------------------------|-------------------------------|
| Country of Origin: | United Kingdom |
| Fitting Instruction: | Yes |
| CE & UKCA: | Yes |
| Colour/Finish: | White |
| Product Material: | Acrylic Capped ABS Caco3 & Pu |
| Material Colour Reference: | European White |
| Radius: | 0 |
| Waste Required (mm): | 0 |
| Compatible with Leg Kit: | Yes |