



BUFFALO
SHELVING & STORAGE

HEAVY DUTY WORKBENCH HJ326

ASSEMBLY INSTRUCTIONS



Follow Manual Carefully



Keep Small Parts Away from Children



Do Not Exceed Weight Limit



Keep Away from Children



Do Not Climb



Keep Away from Fire



Handle and Dispose of Parts Properly

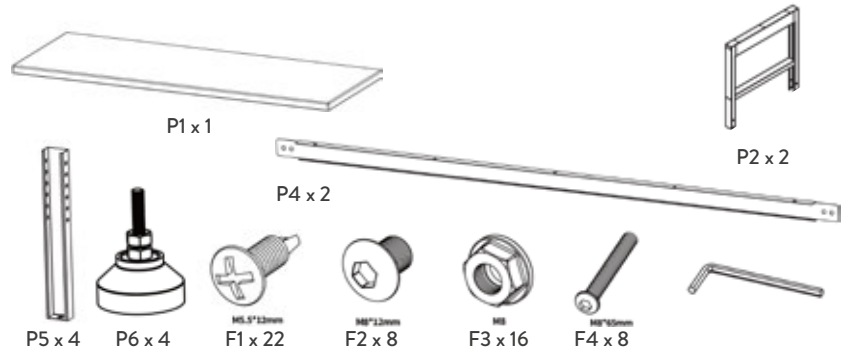


Watch the Assembly Video!

SET UP

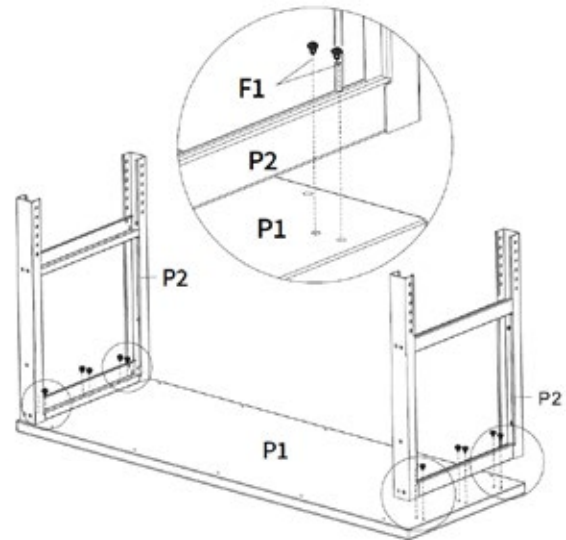
- 2 PEOPLE REQUIRED
- PROTECT FLOOR WITH MAT
- WEAR GLOVES WHEN ASSEMBLING
- ENSURE COMPONENTS ARE IN GOOD CONDITION BEFORE ASSEMBLING
- SET POWER TOOLS TO LOW SPEED
- DO NOT TIGHTEN SCREWS UNTIL FULLY ASSEMBLED

PARTS



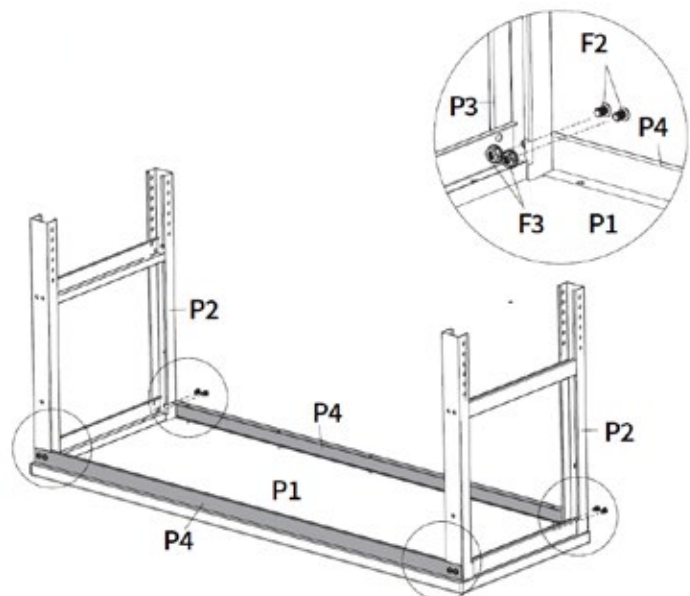
STEP 1

- ATTACH P2 FRAMES TO P1 TABLE TOP USING F1 FASTENINGS.



STEP 2

- ATTACH P4 SIDE SUPPORTS TO P2 LEG FRAMES ON EITHER SIDE USING F2 FASTENERS AND F3 NUTS.





BUFFALO
SHELVING & STORAGE

HEAVY DUTY WORKBENCH HJ326

ASSEMBLY INSTRUCTIONS



Follow Manual
Carefully



Keep Small
Parts Away from
Children



Do Not Exceed
Weight Limit



Keep Away from
Children



Do Not Climb



Keep Away from
Fire



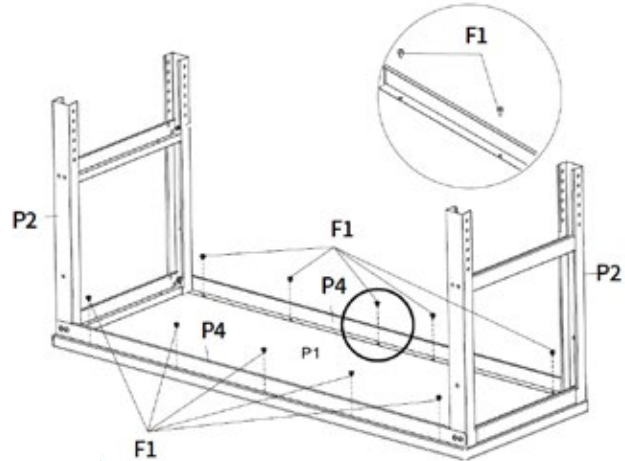
Handle and
Dispose of Parts
Properly



Watch the Assembly Video!

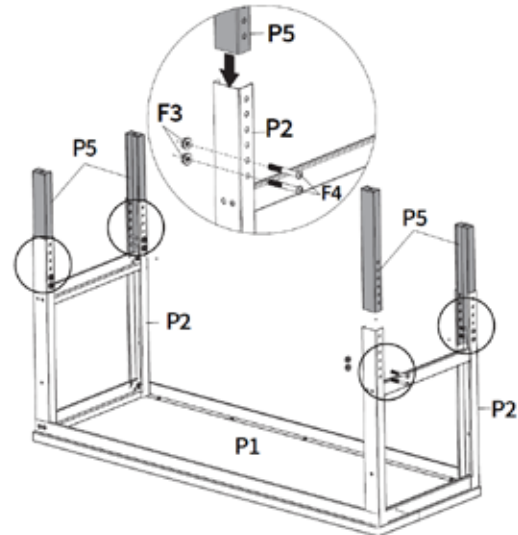
STEP 3

- SECURE WITH F1 FASTENERS



STEP 4

- SLOT P5 LEGS INTO P2 FRAME AND SECURE WITH F4 FASTENERS AND F3 NUTS



STEP 5

- SCREW P6 RUBBER FEET INTO P5 LEGS

