



**BUFFALO**  
SHELVING & STORAGE

# 5 TIER MDF SHELVING

HJ328

## ASSEMBLY INSTRUCTIONS



Follow Manual Carefully



Keep Small Parts Away from Children



Do Not Exceed Weight Limit



Keep Away from Children



Do Not Climb



Keep Away from Fire



Handle and Dispose of Parts Properly

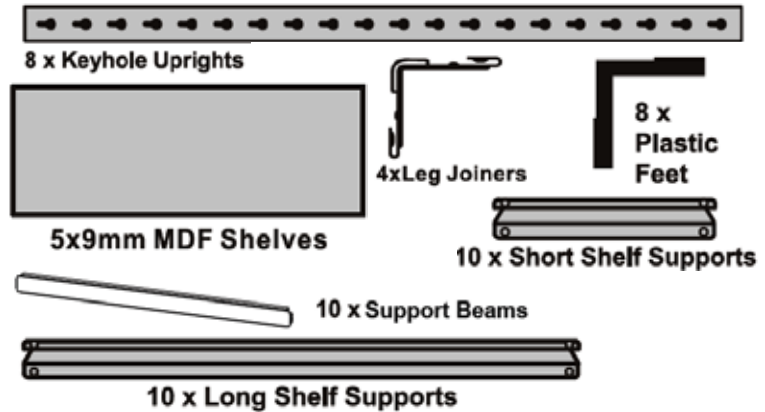


Watch the Assembly Video!

### SET UP

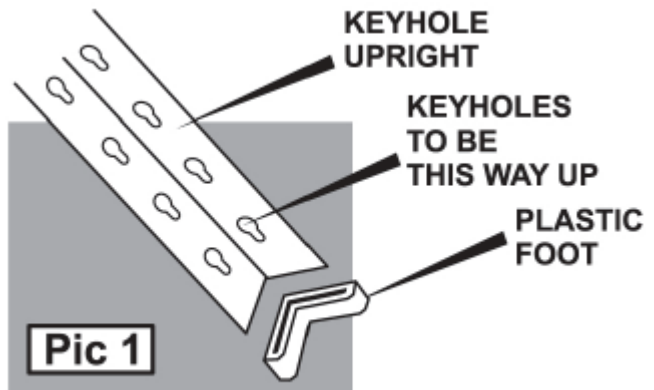
- 2 PEOPLE REQUIRED
- PROTECT FLOOR WITH MAT
- WEAR GLOVES WHEN ASSEMBLING
- ENSURE COMPONENTS ARE IN GOOD CONDITION BEFORE ASSEMBLING
- SET POWER TOOLS TO LOW SPEED
- DO NOT TIGHTEN SCREWS UNTIL FULLY ASSEMBLED
- HAMMER REQUIRED

### PARTS



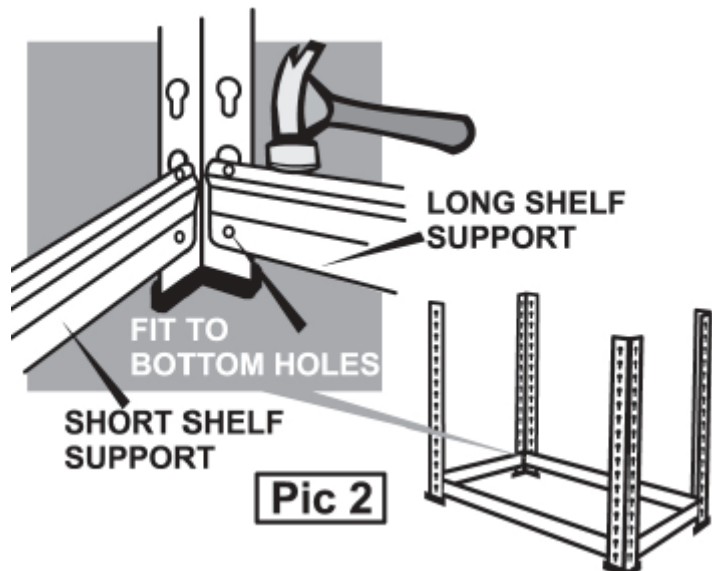
### STEP 1

- ATTACH PLASTIC FEET TO KEYHOLE UPRIGHTS x4



### STEP 2

- ATTACH SHORT AND LONG SUPPORTS IN BOTTOM 2 KEYHOLES AND TAP WITH HAMMER UNTIL SLOTTED IN. x2





**BUFFALO**  
SHELVING & STORAGE

# 5 TIER MDF SHELVING

HJ328

## ASSEMBLY INSTRUCTIONS



Follow Manual  
Carefully



Keep Small  
Parts Away from  
Children



Do Not Exceed  
Weight Limit



Keep Away from  
Children



Do Not Climb



Keep Away from  
Fire



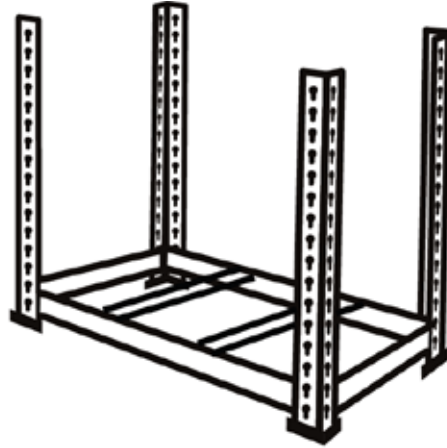
Handle and  
Dispose of Parts  
Properly



Watch the Assembly Video!

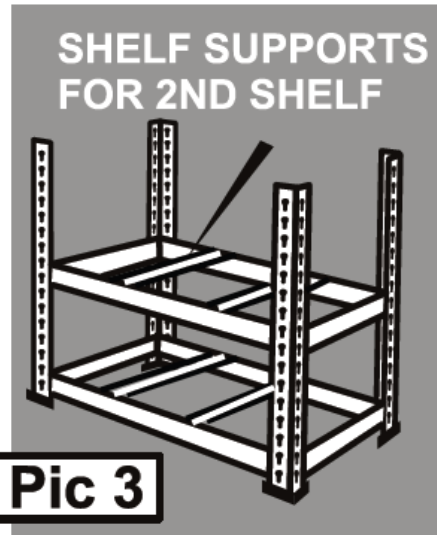
### STEP 3

- ADD 2 SUPPORT BEAMS FOR EACH SHELF AS SHOWN.



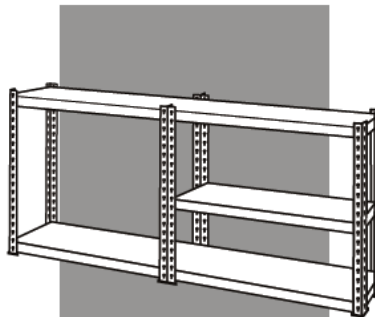
### STEP 4

- REPEAT STEPS 2 AND 3 FOR THE 2nd SHELF POSITION.

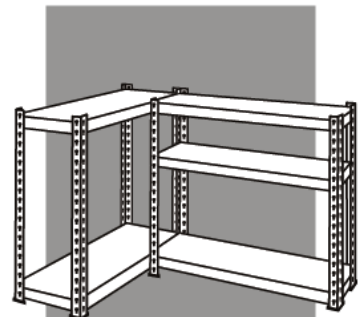


### STEP 5

- IF BUILDING A WORK BENCH, ADD 2 LONG SUPPORTS WITH A CENTRE BEAM FOR THE TOP.
- REPEAT STEPS 2-5 FOR A 2nd UNIT.



**STRAIGHT  
WORKBENCH**



**CORNER  
WORKBENCH**



# 5 TIER MDF SHELVING

HJ328

## ASSEMBLY INSTRUCTIONS



Follow Manual Carefully



Keep Small Parts Away from Children



Do Not Exceed Weight Limit



Keep Away from Children



Do Not Climb



Keep Away from Fire



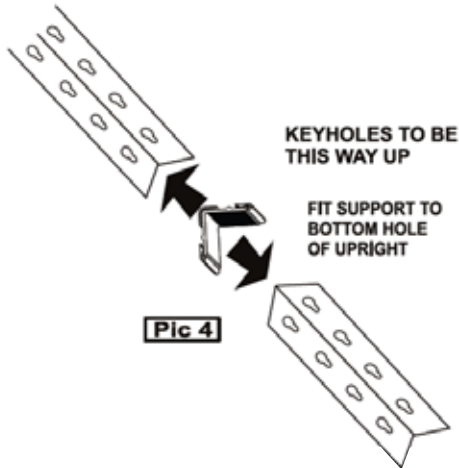
Handle and Dispose of Parts Properly



Watch the Assembly Video!

### STEP 6

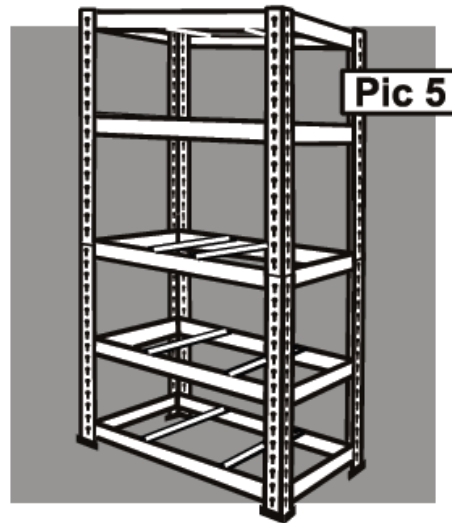
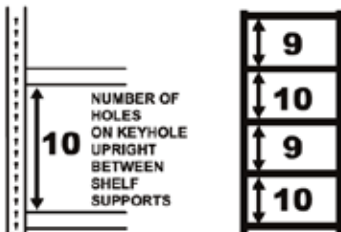
- IF MAKING SHELVING UNIT, USE LEG JOINERS TO CONNECT AN ADDITIONAL KEYHOLE UPRIGHT TO EACH FRAME.
- POSITION UPRIGHT AT AN OUTWARD ANGLE AND HAMMER FIRMLY IN PLACE TO STRAIGHTEN.



### STEP 7

- REPEAT STEPS 2-3 FOR 5th, 4th, AND 3rd SHELVING POSITION (WORKING DOWNWARDS).

#### SHELF POSITION RECOMMENDATIONS



### STEP 8

- SLOT MDF SHELVES INTO PLACE AND ATTACH REMAINING PLASTIC FEET TO THE TOP OF THE UNIT.

