

Please read these instructions before installation.

Safety: Handle the product with care. When drilling walls check for hidden pipes and electric cables. Use safety eye wear when drilling. Keep all small parts and screws away from children. This is a heavy item so seek help when handling and installing if necessary.

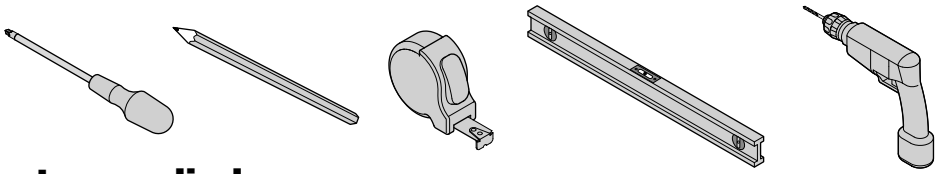
Customer support: We have taken great care to ensure that this product reaches you in perfect condition. However, should any parts be damaged or missing please contact your local Wickes branch. This does not affect your statutory rights. In addition if you require replacement parts, your local Wickes branch will be happy to assist.

Cleaning: Clean with warm water, a clean cloth or soft sponge. Use household domestic cleaning products that have no abrasive ingredients. Then wipe with fresh water, removing all traces of cleaning agent, to prevent streaks forming. Dry the surface with a clean, absorbent cloth or paper towels.

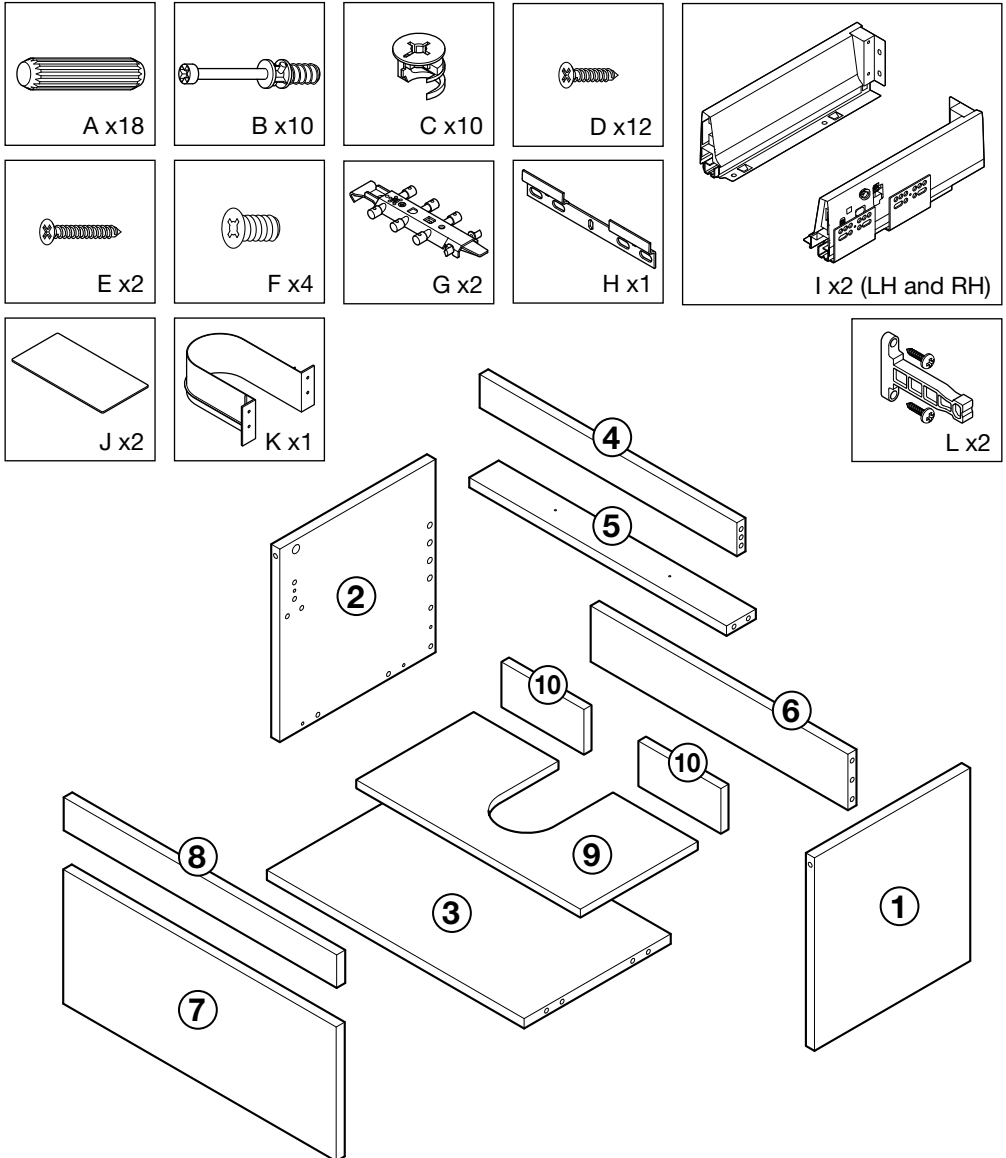
The following cleaning agents should not be used under any circumstances:

- Scouring and abrasive agent (abrasive powders, scouring pads, steel wool)
- Polish, washing powder, furniture cleaner or bleach
- Detergents with strong acids and acidic salts
- Steam cleaning equipment

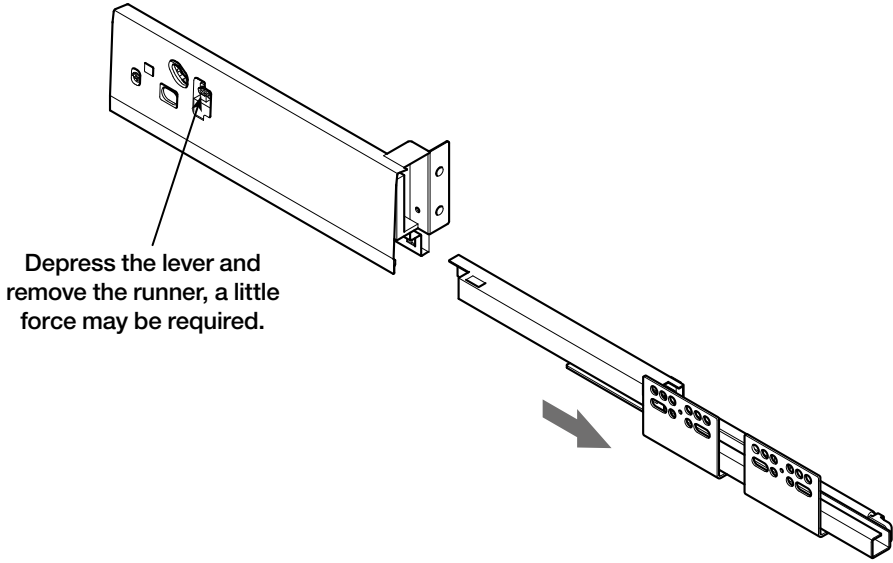
Tools required (not supplied)



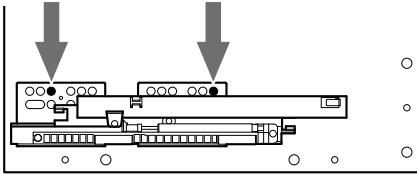
Parts supplied



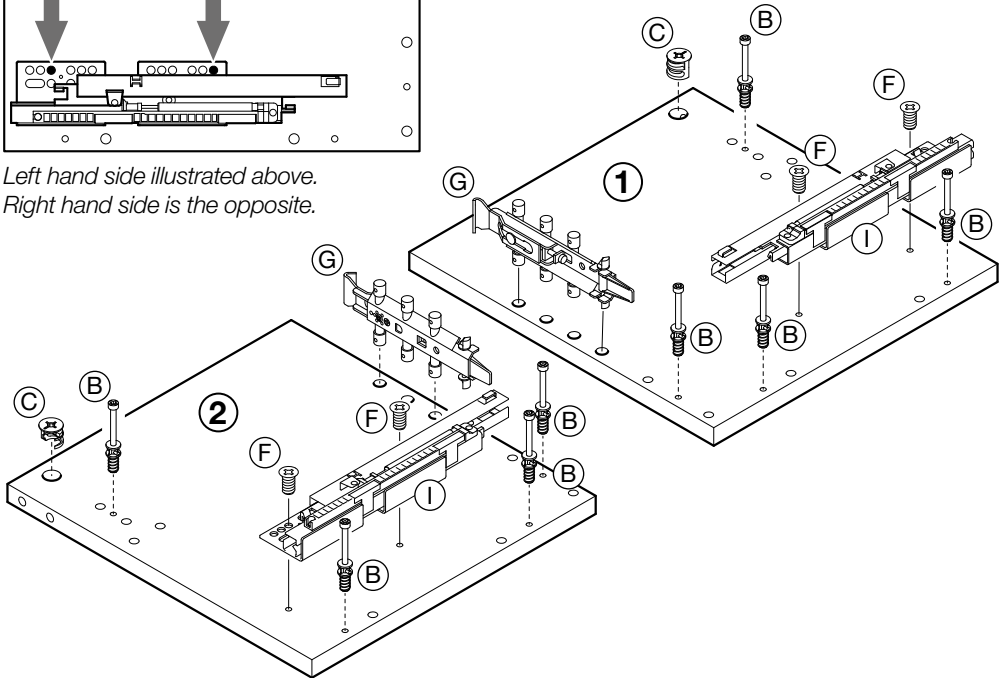
STEP 1, Release and separate the drawer runners



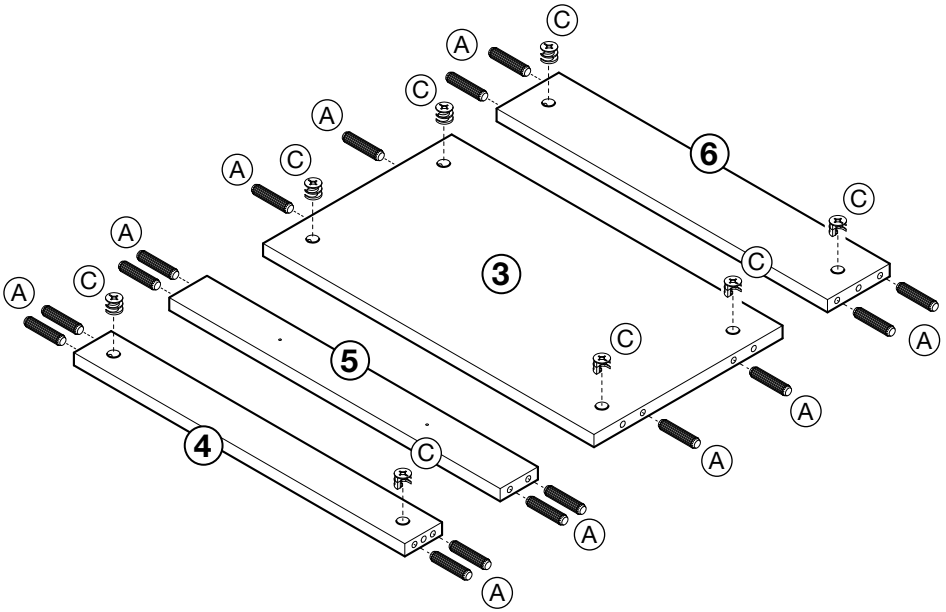
STEP 2



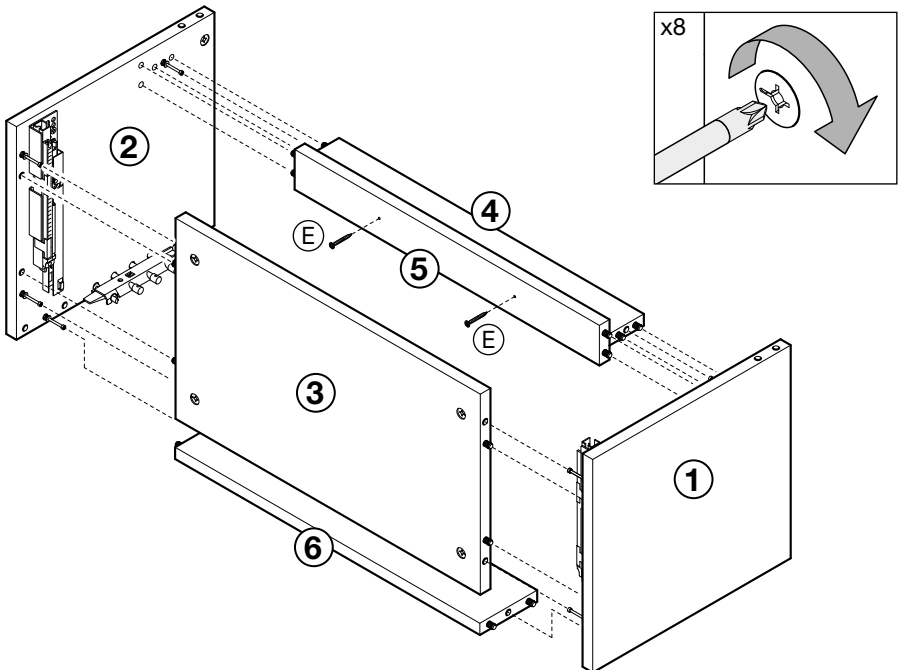
Left hand side illustrated above.
Right hand side is the opposite.



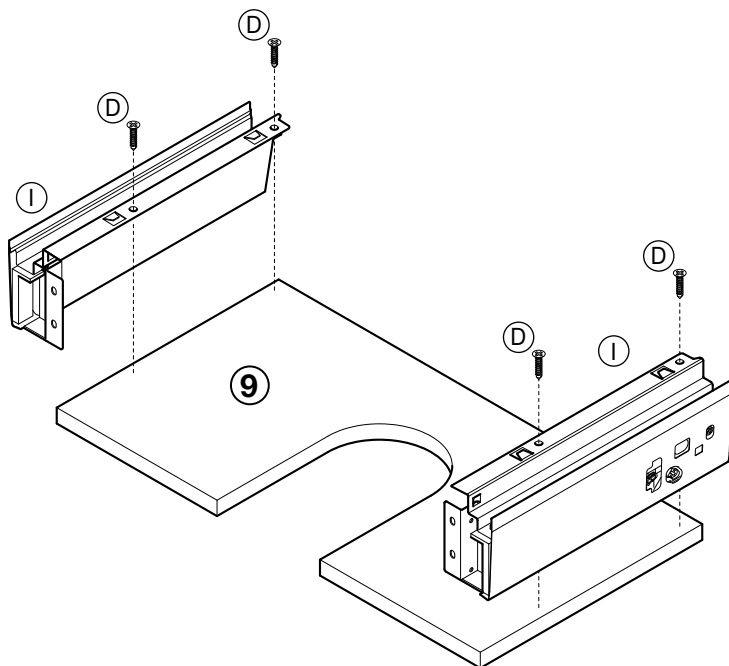
STEP 3



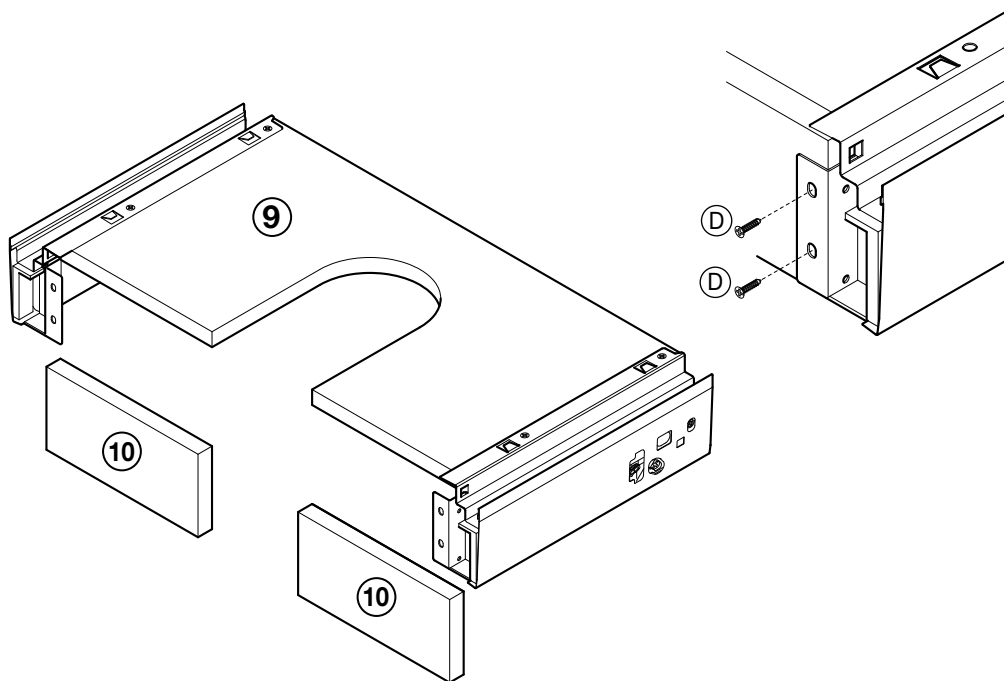
STEP 4



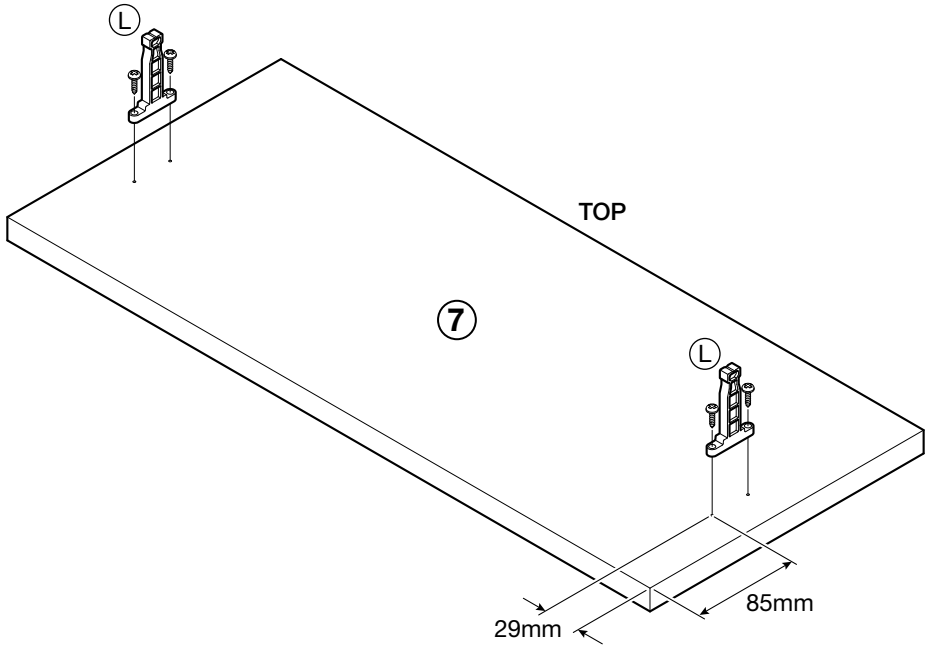
STEP 5



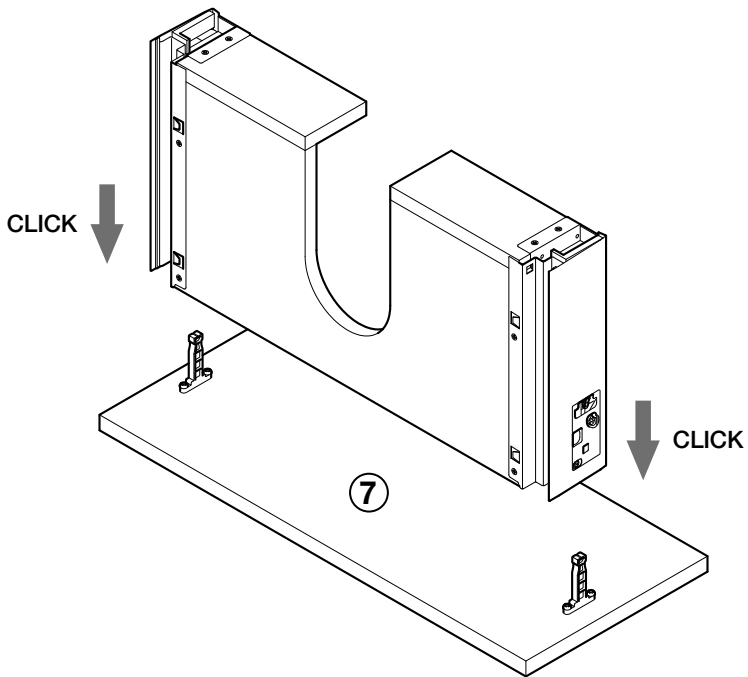
STEP 6



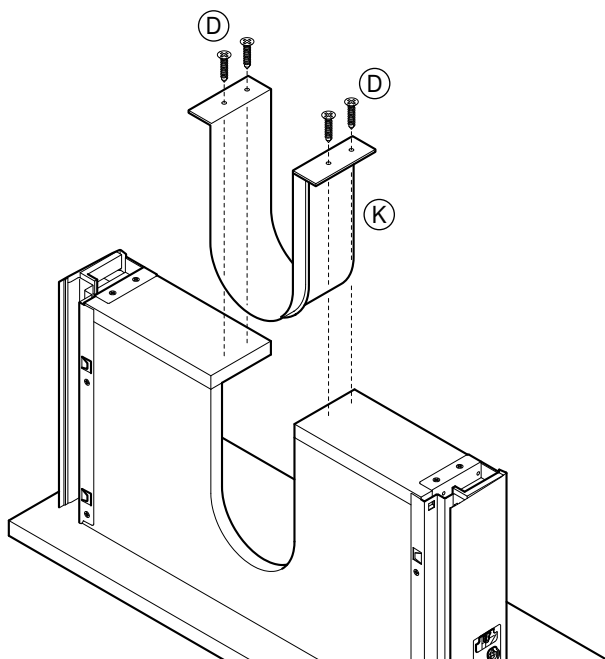
STEP 7



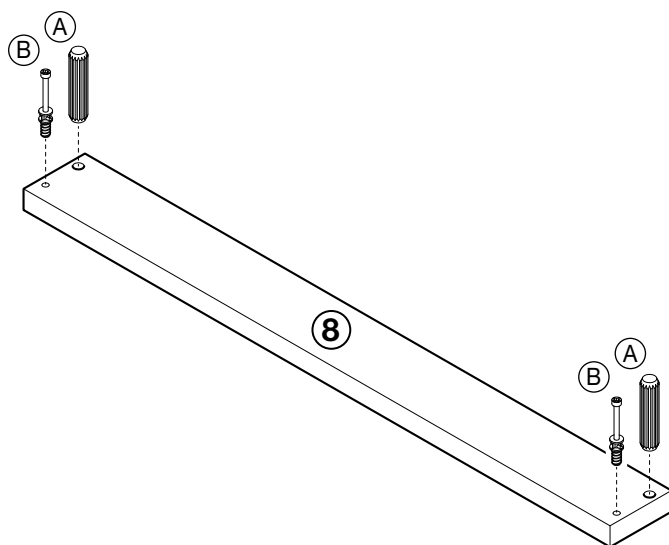
STEP 8



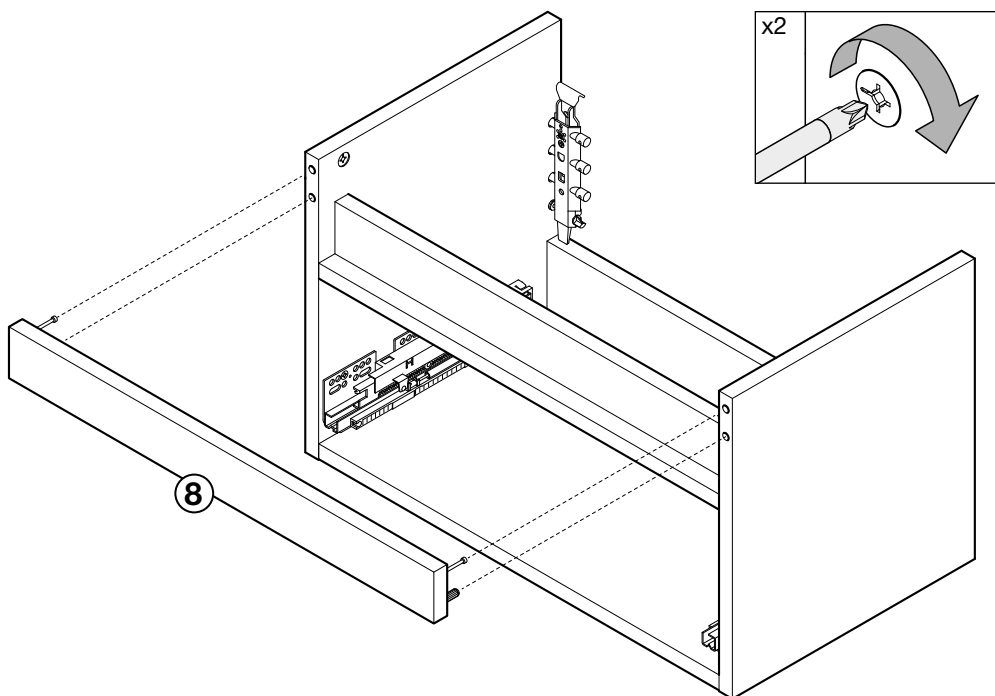
STEP 9



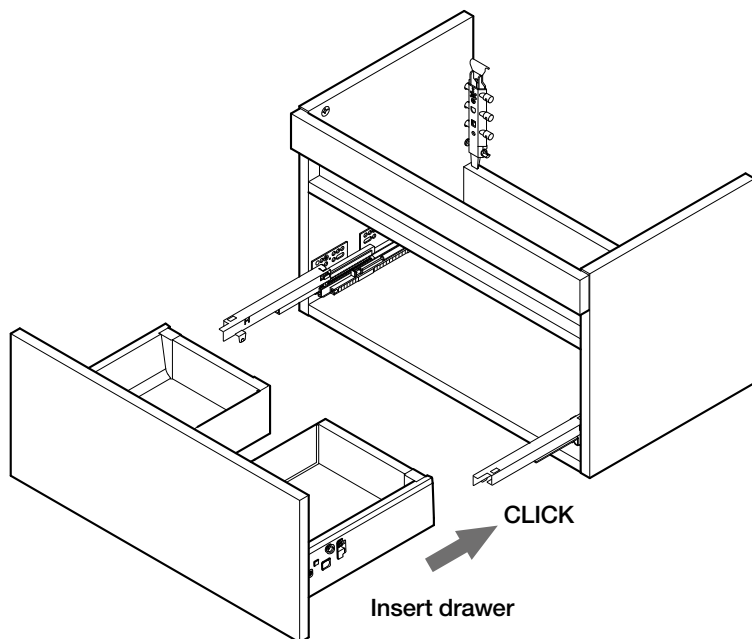
STEP 10



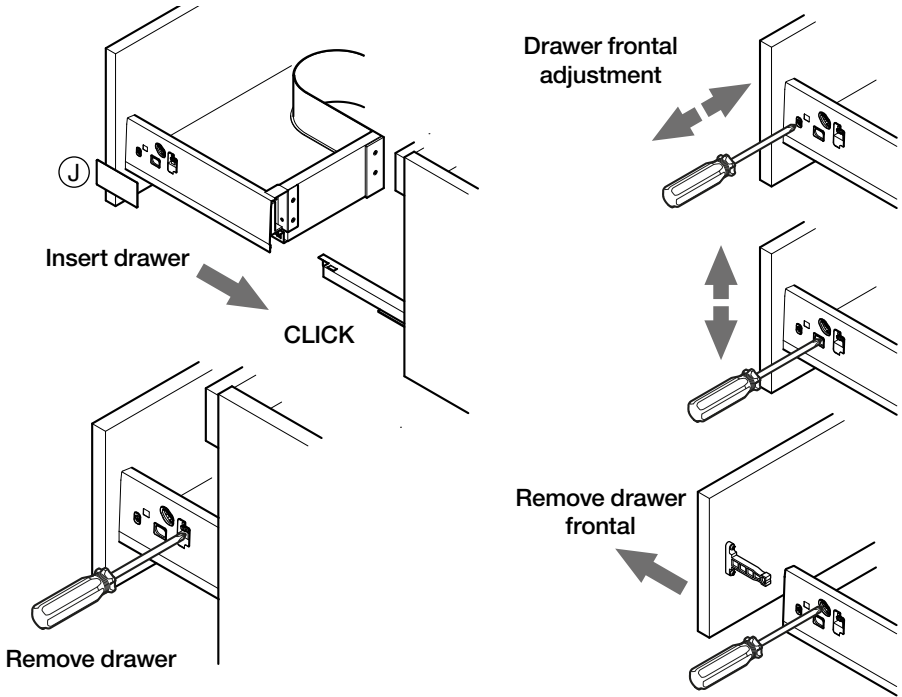
STEP 11



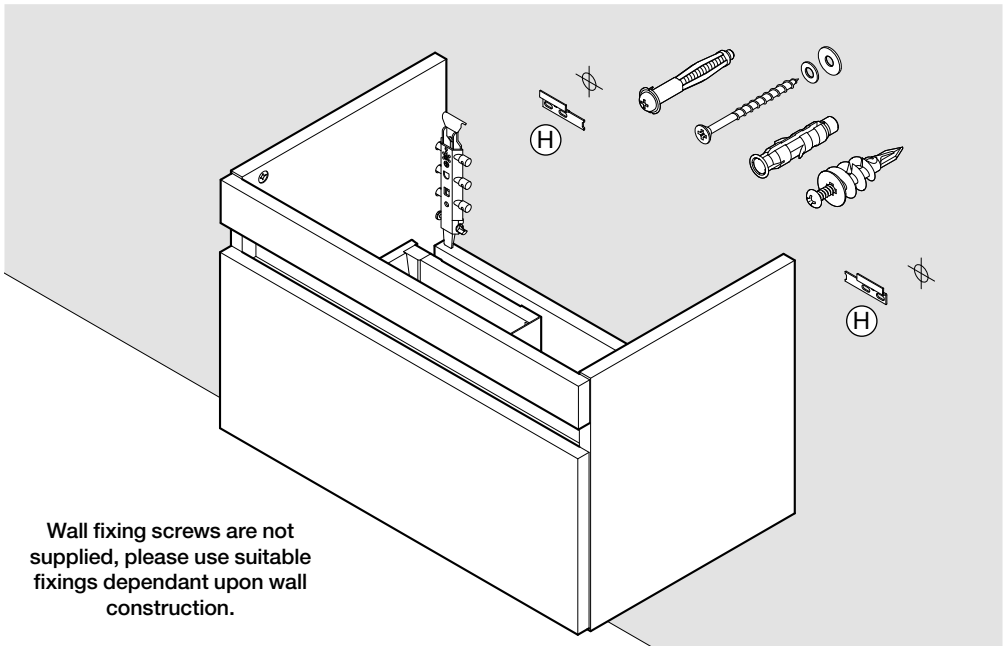
STEP 12



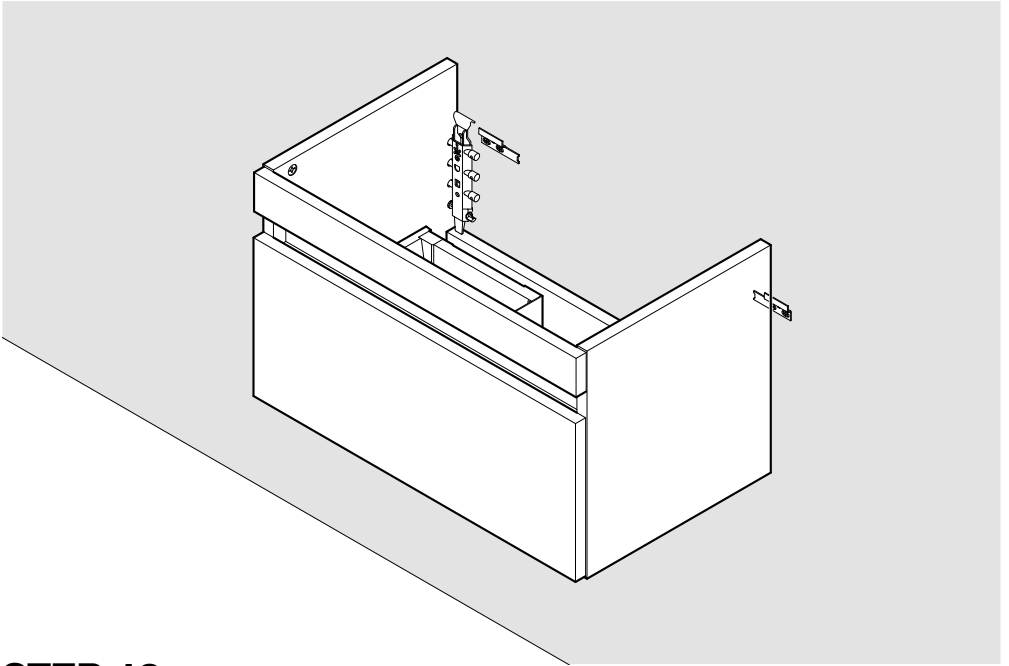
STEP 13, Drawer adjustment



STEP 14, Secure mounting brackets



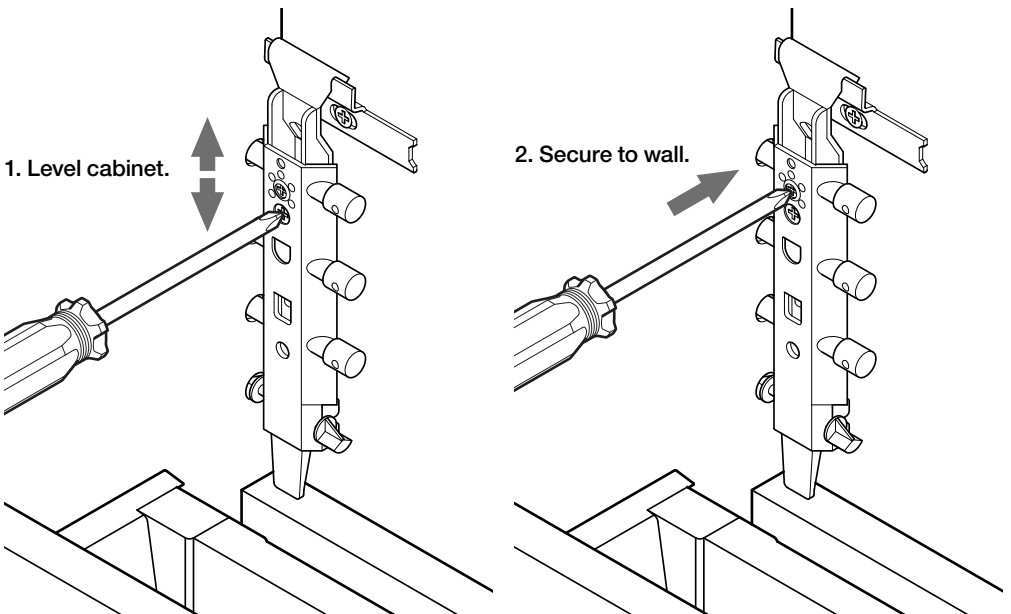
STEP 15, Hang the cabinet



STEP 16, Level the cabinet and secure to wall

IMPORTANT: Adjust only by hand.

We do not recommend the use of power screwdrivers.

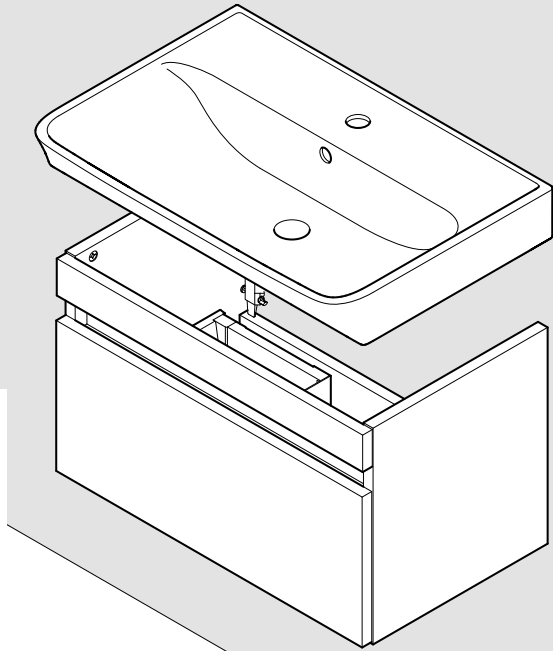


FITTING THE BASIN

Place basin on top of the vanity unit.

Secure basin using suitable fixings.

Wall fixing screws are not supplied, please use suitable fixings dependant upon wall construction.



Complete the installation by applying a bead of sealant between the basin and the vanity unit and between the basin and the wall.

Allow sealant to cure before use.

Limitations: Please keep in mind that the drawer has a maximum weight limit of 30kg.

Do not overload the drawer or apply excessive loading on to the unit.

