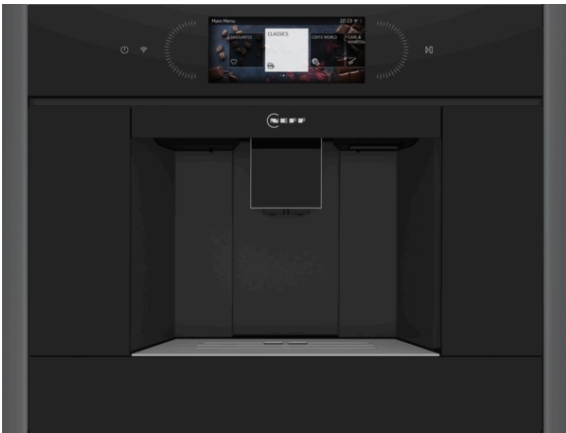


N 90, Built-in fully automatic coffee machine, Graphite-Grey
CL4TT11G0



COOKING PASSION SINCE 1877



- ✓ Premium 6.8" Full Touch TFT Display - Easy to use and intuitive interface for maximum comfort and control.
- ✓ Coffee World - brew international coffee specialties in the comfort of your own kitchen.
- ✓ Aroma Select - an aroma profile to match your defined palate.
- ✓ Auto Milk Clean - say goodbye to worry and work and hello to a clean system after every drink.
- ✓ Home Connect - Discover smart home appliances that make everyday life easier

Features

Technical Data

Construction type : Built-in
 Frothing nozzle : No
 Display : No
 Water protection system : no
 Portion sizes : All cups
 Dimensions : 455 x 594 x 385 mm
 Dimensions of the packed product (HxWxD) : 540 x 478 x 670 mm
 Min. required niche size for installation (HxWxD) : 449 x 558 x 376 mm
 Hot water spout : No
 Standby function : Yes
 Simultaneous preparation of 2 cups : Yes
 Included accessories : 1 x assembly screws, 1 x milk container, 1 x test strip, 1 x connection hose for milk frother, 1 x milk pipe, 1 x welcome-Box
 Optional accessories : TZ70003, TZ80001, TZ80002, TZ80004, TZ80009N
 Fuse protection : 10 A
 Voltage : 220-240 V
 Frequency : 50/60 Hz
 Plug type : GARDY plug w/ earthing
 Product group : Built-in coffee machine
 Brand : Neff
 Product name / Commercial code : CL4TT11G0
 Main colour of product : Graphite
 Typology : Fully automatic
 Length of electrical supply cord : 170.0 cm
 Recommended height for installation : 449 mm
 Dimensions : 455 x 594 x 385 mm
 Dimensions of the packed product (HxWxD) : 540 x 478 x 670 mm
 Net weight : 42.000 lbs
 Net weight : 18.9 kg
 Gross weight : 49.000 lbs
 Gross weight : 22.3 kg
 Capacity water container : 2.4 l
 Included accessories : 1 x assembly screws, 1 x milk container, 1 x test strip, 1 x connection hose for milk frother, 1 x milk pipe, 1 x welcome-Box

Optional accessories

TZ70003	1 x Brita Filter for EQ Coffee Machine
TZ80001	
TZ80002	
TZ80004	Care set espresso
TZ80009N	



4 242004 263647

*N 90, Built-in fully automatic coffee machine,
Graphite-Grey
CL4TT11G0*

Features

Flavour

- up to 29 different coffee specialties (within appliance and Home Connect app)
- warm milk, milk froth and hot water function
- aromaSelect – 3 different aroma profiles (mild-balanced-distinctive)
- adjustable milk ratio for classic milk-mix beverages
- intelligent strength adjustment – adaptive coffee management based on strength and size
- aromaDouble Shot – less bitterness in large beverages due to two brewing processes

Convenience

- TFT-Touchdisplay Pro - 6.8" TFT- color display with touch and slide functionality
- Favorites: save up to 30 personalised beverages
- automatic milk amount detection - suitable for included container, 1 liter milk carton or your individual container
- coffee pot function
- height adjustable beverage outlet (up to 15 cm (max) high glasses)
- OneTouch DoubleCup - get two cups at a touch of a button
- 2.4 l removable water tank

Performance

- ceramDrive – high-quality grinder made of wear-resistant ceramic
- water pump with 19 bar pressure

Hygiene

- autoMilk Clean – automatic steam cleaning after every drink
- calc'nClean – combined descaling and cleaning program for less effort
- removable brewing unit – for easy and hygienic cleaning
- dishwasher-proof: beverage outlet, drip tray and drip pans
- automatic reminder for cleaning, descaling or water filter change

Home Connect

- remote control – operate your appliance from everywhere
- additional coffee know-how
- software update – always the newest software status
- online support
- Security: Security is of top priority at Home Connect. The Home Connect app has been tested and certified by TÜV IT. And the encrypted data transfer via Home Connect protocol protects against unauthorised access.

- integrated 0,7 l milk container
- 500 g bean container with aroma protection lid
- illuminated coffee outlet, stage and interior
- adjustable grinding degree (multi-level)
- child lock

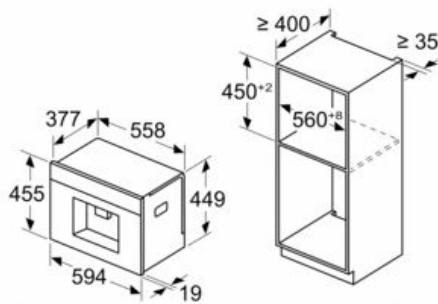
Accessories

- included accessories: 1 x test strip
- Separately available accessories: cleaning tablets (00311969), descaling tablets (00311974), BRITA Intenza water filter (17000705, 17000706), care set for fully-automatic espresso makers (00312014)

N 90, Built-in fully automatic coffee machine,
 Graphite-Grey
 CL4TT11G0

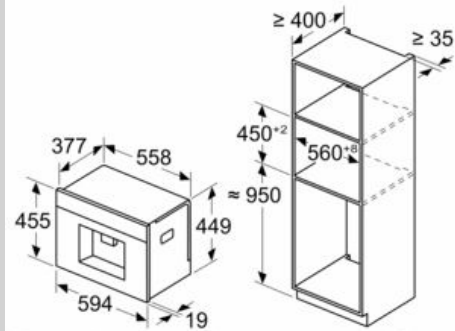
Dimensioned drawings

Measurements in mm



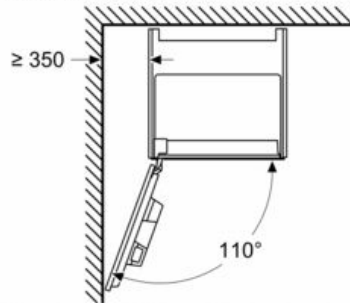
Bean and water containers are removed from the front
 Recommended installation height
 950–1450 mm

Measurements in mm



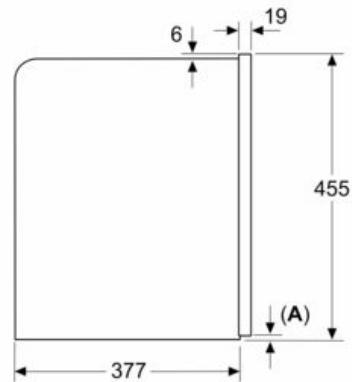
Bean and water containers are removed from the front
 Recommended installation height
 950–1450 mm

Measurements in mm
 Left corner installation



If using the 92° hinge limiter, the min. distance to the wall is only 100 mm

Measurements in mm



A: 7.5 mm

Measurements in mm

