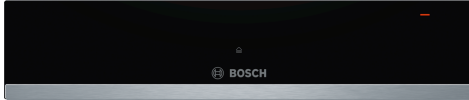


**Series 6, Built-in warming drawer, 60  
x 14 cm, Stainless steel  
BIC510NS0B**



**The multifunction warming drawer for the  
14 cm niche: for pre-heating plates and  
keeping food warm.**

- **Push-pull mechanism:** easy opening and closing thanks to a clever spring mechanism.

---

**Technical Data**

Installation type: ..... Built-in  
Maximum number of plates: ..... 14  
Maximum number of espresso cups: ..... 64  
Dimensions: ..... 140 x 594 x 540 mm  
Dimensions of the packed product (HxWxD): ..... 210 x 660 x 660 mm  
Min. required niche size for installation (HxWxD): ..... 140 x 560 x 550 mm  
EAN code: ..... 4242005035397  
Fuse protection: ..... 6 A  
Voltage: ..... 220-240 V  
Frequency: ..... 60; 50 Hz  
Plug type: ..... GB plug  
Included accessories: ..... 1 x Anti-slip mat

---



**Series 6, Built-in warming drawer, 60  
x 14 cm, Stainless steel  
BIC510NS0B**

**The multifunction warming drawer for the  
14 cm niche: for pre-heating plates and  
keeping food warm.**

---

**Design**

- Can accommodate up to:
  - 14 plates
  - 64 espresso cups
- Loading up to 15 kg
- Cavity inner surface: stainless steel
- Push-pull opening mechanism

**Programmes/functions**

- 4 Functions: keeping drinks and food warm, pre-warming of tableware, yeast dough proving, thawing of delicate foods

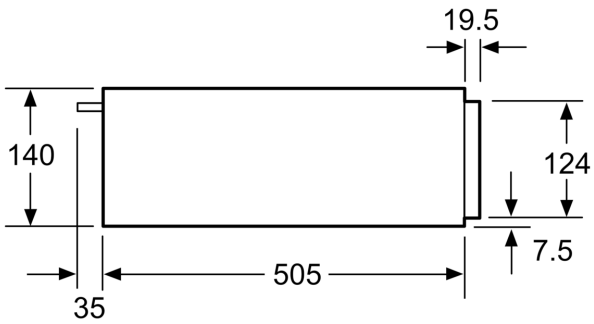
**Accessories**

- 1 x Anti-slip mat

**Performance/technical information**

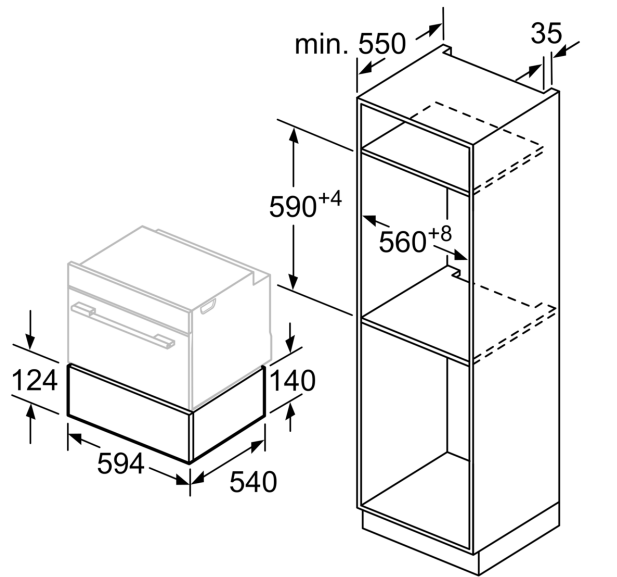
- Cavity volume: 23 l
- Power cord length 150 cm Cable length
- Total connected load electric: 0.4 KW
- Nominal voltage: 220 - 240 V
- Appliance dimension (hxwxd): 140 mm x 594 mm x 540 mm
- Niche dimension (hxwxd): 140 mm x 560 mm - 568 mm x 550 mm
- Please refer to the dimensions provided in the installation manual

**Series 6, Built-in warming drawer, 60  
x 14 cm, Stainless steel  
BIC510NS0B**



Compact ovens with an appliance height of 455 mm can be installed above a warming drawer. An intermediate floor is not required.

measurements in mm



measurements in mm