

**Series 4, Built-in fridge-freezer with freezer at bottom, 177.2 x 54.1 cm, sliding hinge KIV87VSE0G**



**Optional accessories**

- KSZB6R00 Bottle Rack
- KSZGGM00 Butter box

**The spacious built-in fridge-freezer combination with VitaFresh XXL keeps food fresh for longer.**

- **VitaFresh XXL:** the extra-large, climate-controlled fridge drawer for fruit and vegetables.
- **Eco Airflow:** maintains optimal air circulation and a constant temperature level throughout the cooling area.
- **Low Frost:** defrost less often thanks to reduced frost – saving time, effort and energy.
- **Lots of space for large frozen goods cleverly combined with an extra inner box for smaller items.**
- **High-stability door trays: extra high and flexible for more space and stability.**

**Technical Data**

Energy Efficiency Class: .....	E
Average annual energy consumption in kilowatt hour per year (kWh/a): .....	216 kWh/annum
Sum of volume of frozen compartments: .....	70 l
Sum of volume of chill compartments: .....	200 l
Airborne acoustical noise emissions : .....	35 dB(A) re 1 pW
Airborne acoustical noise emission class: .....	B
Installation type: .....	Built-in
Door panel options: .....	Not possible
Height: .....	1772 mm
Width of the appliance: .....	541 mm
Depth of the product: .....	548 mm
Min. required niche size for installation (HxWxD): 1775.0 x 560 x 550 mm	
Net weight: .....	51.4 kg
Fuse protection: .....	10 A
Door hinge: .....	Right reversible
Voltage: .....	220-240 V
Frequency: .....	50 Hz
Length of electrical supply cord: .....	230.0 cm
Number of compressors: .....	1
Number of independent cooling systems: .....	1
Interior ventilator: .....	No
Reversible Door Hinge: .....	Yes
Number of Adjustable Shelves in fridge compartment (Stck): .....	4
Shelves for Bottles: .....	Yes
Frost free system: .....	No
Installation type: .....	Integrated
Hinge type: .....	Follow-door



## Series 4, Built-in fridge-freezer with freezer at bottom, 177.2 x 54.1 cm, sliding hinge KIV87VSE0G

- Annual Energy Consumption: 216 kWh/a
- Climate Class: SN-ST
- Noise Level : 35 dB , EU19\_Noise emission class\_D: B
- Temperature rise time : EU19\_Temperature rise time\_D: 12 H

### The spacious built-in fridge-freezer combination with VitaFresh XXL keeps food fresh for longer.

- 
- KIV87VSE0G
  - easy Installation

#### Functions

- Bright interior LED fridge light in fridge section

#### Design features

- LED electronic control
- Super Cooling: No
- SuperFreezing function with automatic deactivation
- Optical and acoustical door open warning

#### Design features

- 5 safety glass shelves in fridge compartment of which 4 are height adjustable
- 4 door trays, including 1x dairy compartment
- 1 removable door storage compartments.
- 4 door bins

#### Freshness System

- 1 VitaFresh drawer with humidity control - Fruits and vegetables retain vitamins and stay fresh for longer

#### Food freshness system

- LowFrost - less ice creation and therefore quicker defrosting
- 2 transparent freezer drawers, including 1 BigBox

#### Dimension and installation

- Dimensions: 177.2 cm H x 54.1 cm W x 54.8 cm D
- Niche Dimensions: 177.5 cm H x 56 cm W x 55 cm D

#### Key features - Fridge section

- Right hinged door, door reversible
- 220 - 240 V

#### Key features - Freezer section

- 3 x egg tray, 1 x ice cube tray

#### Country Specific Options

- Based on the results of the standard 24-hour test. Actual consumption depends on usage/position of the appliance.

#### Design features

#### Dimension and installation

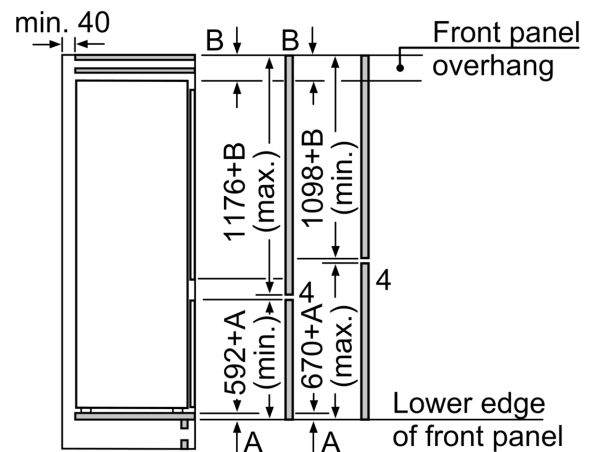
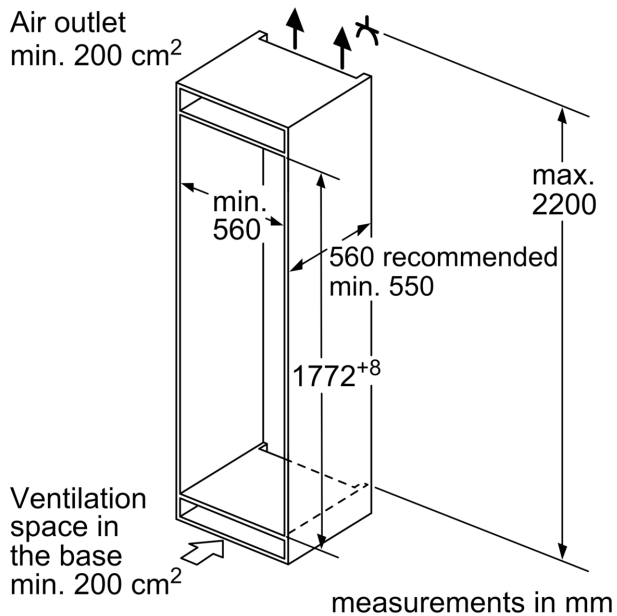
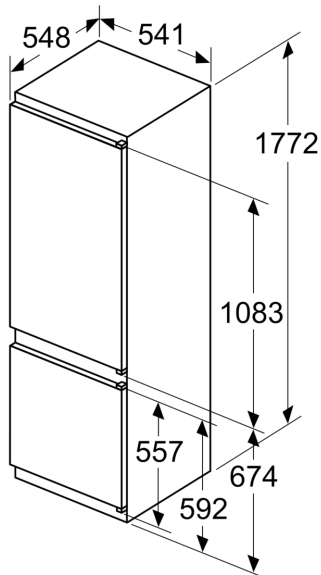
#### Additional features

#### Performance and Consumption

- EU19\_EEK\_D: E
- Total Volume : 270 l
- Net Fridge Volume : 200 l
- Net Freezer Volume : 70 l
- Net 4\* compartment volume : 70 l
- Freezing capacity 24h : 3.2 kg

**Series 4, Built-in fridge-freezer with  
freezer at bottom, 177.2 x 54.1 cm,  
sliding hinge  
KIV87VSE0G**

measurements in mm



The specified unit door dimensions  
are valid for a door gap of 4 mm.