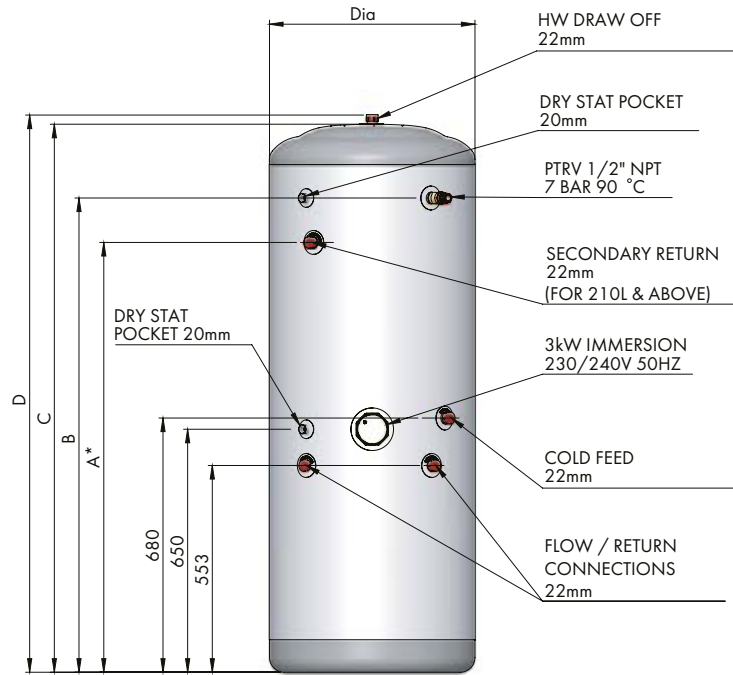


Grant QR Cylinders Technical Specifications

Quick Recovery Single Coil Cylinders



Dimensions (mm)	150L	180L	210L	250L	300L
A*	-	-	1150	1400	1600
B	893	1081	1269	1519	1832
C	1091	1279	1467	1717	2030
D	1117	1305	1491	1744	2054
Diameter	550	550	550	550	550

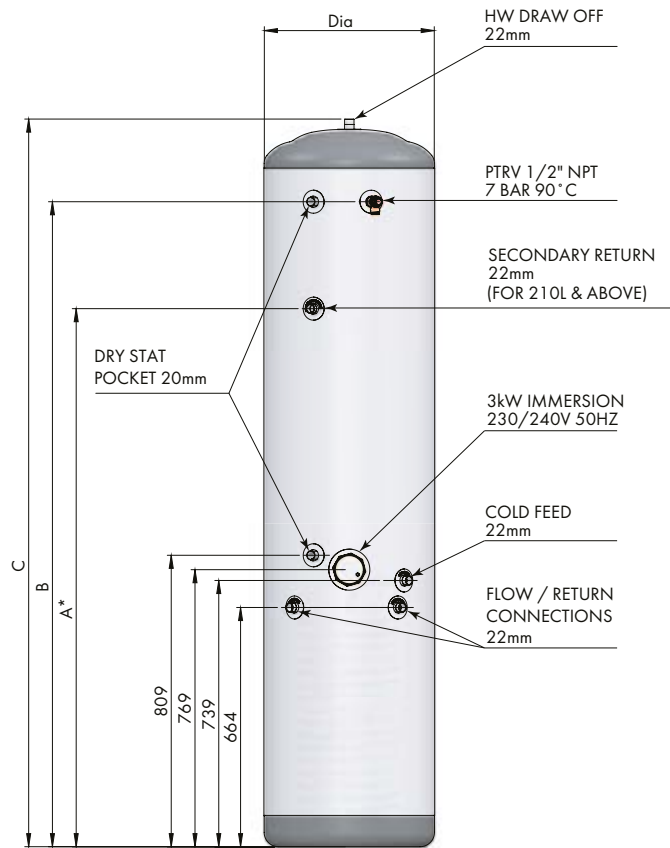
*Secondary return on 210, 250 & 300 litre models only

Model	Actual Capacity (ltrs)	ErP Rating	Expansion vessel (ltrs)	Coil rating primary (kW)	Standing heat loss (kW/24hrs)	Overall Height (mm)	Overall Diameter (mm)	Weight empty (kg)	Weight full (kg)
QRSC150	136	C	19	32.0	1.41	1117	550	45	181
QRSC180	167	C	19	32.0	1.61	1305	550	50	217
QRSC210	197	C	19	32.0	1.79	1491	550	54	251
QRSC250	237	C	19	32.0	2.02	1744	550	62	299
QRSC300	289	C	24	34.0	2.24	2054	550	68	357

UKB CYL QRDS 0921

Grant QR Cylinders Technical Specifications

Quick Recovery Single Coil Slimline Cylinders



Dimensions (mm)	150L	180L	210L
A*	-	-	1494
B	1228	1478	1791
C	1458	1708	2021
Diameter	478	478	478

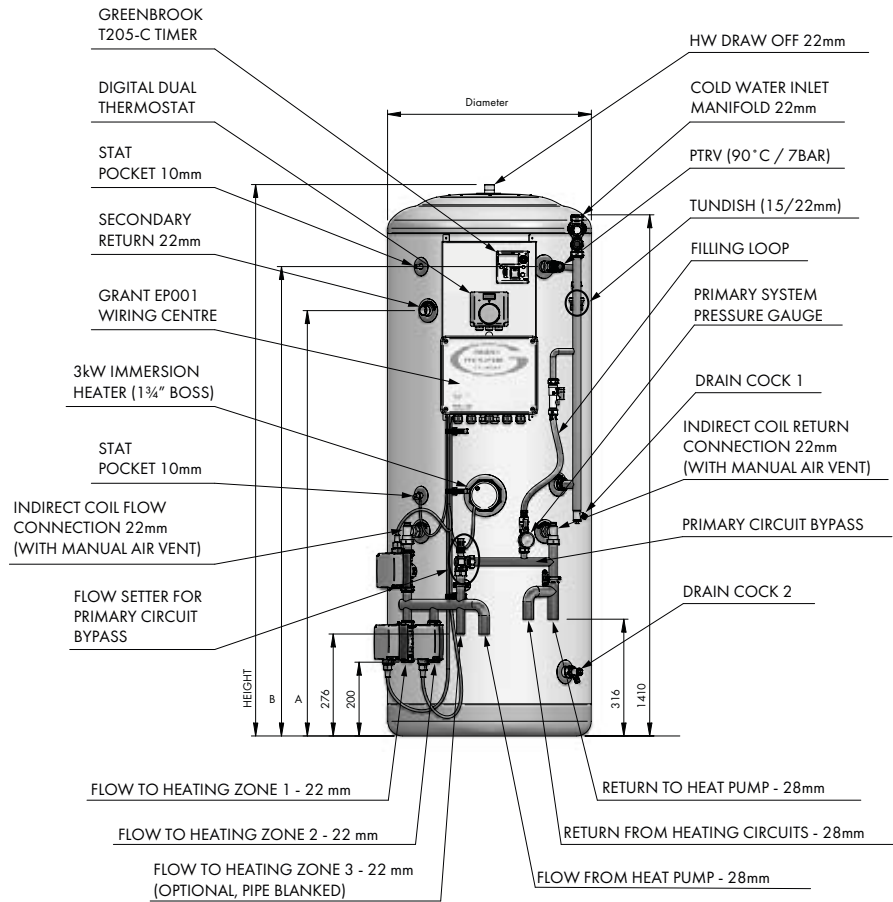
*Secondary return on 210 litre model only

Model	Actual Capacity (ltrs)	ErP Rating	Expansion vessel (ltrs)	Coil rating primary (kW)	Standing heat loss (kW/24hrs)	Overall Height (mm)	Overall Diameter (mm)	Weight empty (kg)	Weight full (kg)
QRSC150SL	141	C	19	30.0	1.58	1458	478	39	180
QRSC180SL	171	C	19	30.0	1.72	1708	478	43	214
QRSC210SL	201	C	19	30.0	2.08	2021	478	50	251

UKB CYL QRDS 0921

Grant QR Cylinders Technical Specifications

Quick Recovery Pre-Plumbed Single Coil Cylinders

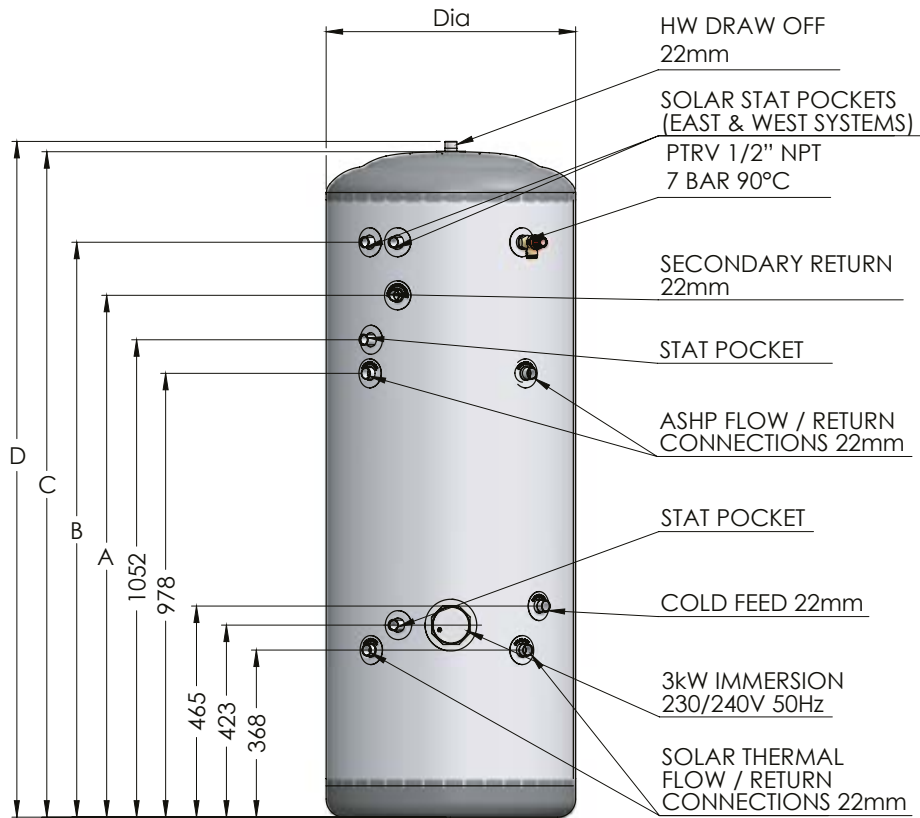


Dimensions (mm)	210L	250L	300L
A	1150	1400	1600
B	1269	1519	1832
Height	1493	1744	2057
Diameter	550	550	550

Model	Actual Capacity (ltrs)	ErP Rating	Expansion vessel (ltrs)	Coil rating primary (kW)	Standing heat loss (kW/24hrs)	Overall Height (mm)	Overall Diameter (mm)	Weight empty (kg)	Weight full (kg)
QRSC210PP	197	C	19	32.0	1.79	1493	550	59	256
QRSC250PP	237	C	19	32.0	2.02	1744	550	67	304
QRSC300PP	289	C	24	34.0	2.24	2057	550	73	362

Grant QR Cylinders Technical Specifications

Quick Recovery Twin Coil Cylinders

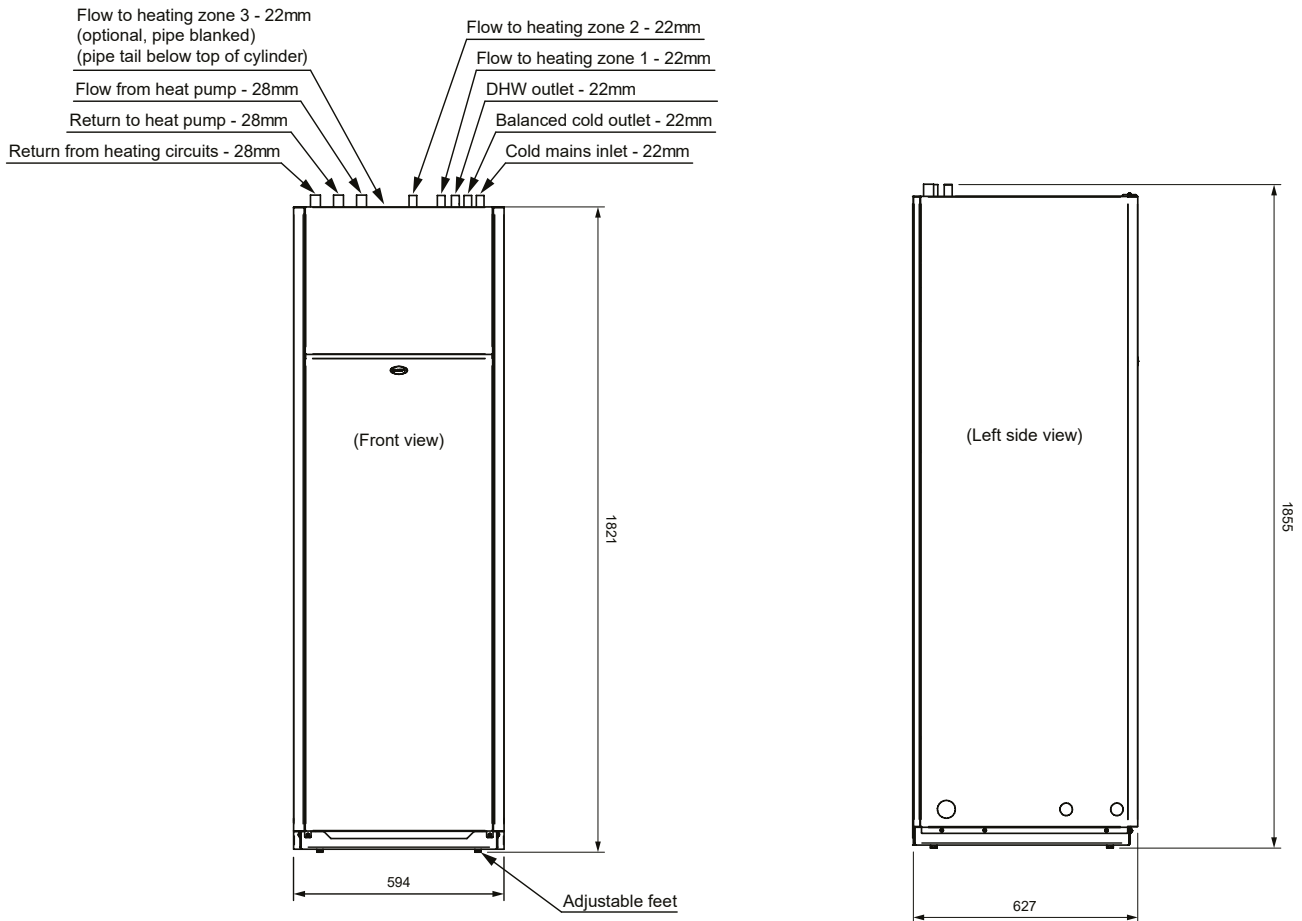


Dimensions (mm)	210L	250L	300L
A	1150	1401	1601
B	1267	1518	1831
C	1467	1717	2030
D	1490	1741	2054
Diameter	550	550	550

Model	Actual Capacity (litres)	ErP Rating	Expansion vessel (litres)	Coil rating primary (kW)	Solar Coil (kW)	Standing heat loss (kW/24hrs)	Overall Height (mm)	Overall Diameter (mm)	Weight empty (kg)	Weight full (kg)
QRTC210	192	C	19	32.0	19.7	1.79	1490	550	59	251
QRTC250	233	C	19	32.0	20.7	2.02	1741	550	65	298
QRTC300	284	C	24	34.0	22.1	2.24	2054	550	77	361

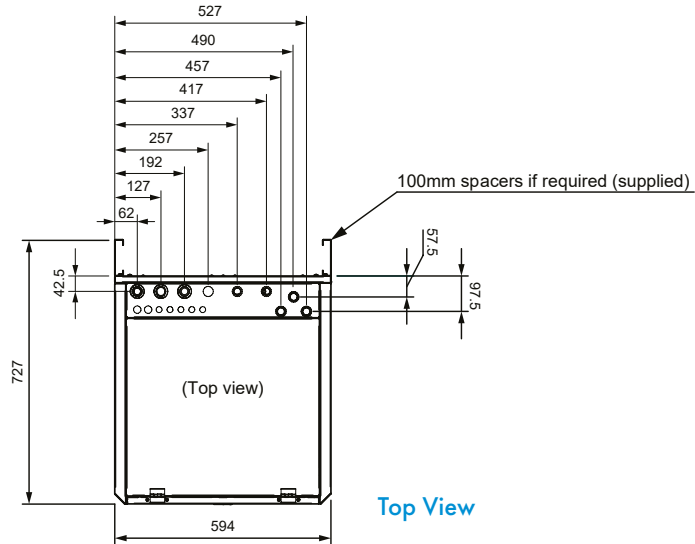
Grant QR Cylinders Technical Specifications

Quick Recovery Integrated Single Coil Cylinder



Front View

Side View



Top View

Model	Actual Capacity (ltrs)	ErP Rating	Expansion vessel (ltrs)	Coil rating primary (kW)	Standing heat loss (kW/24hrs)	Overall Height (mm)	Overall Width (mm)	Overall Depth (mm)	Weight empty (kg)	Weight full (kg)
QRINTSC210	197	C	19	32.0	1.79	1855	594	727*	139	375

*includes 100mm spacer channel

UKB CYL QRDS 0921