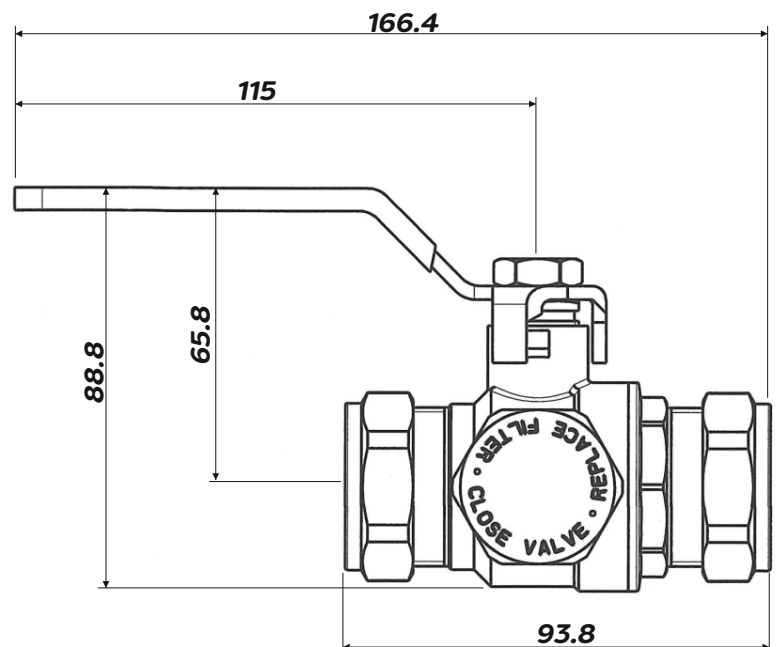
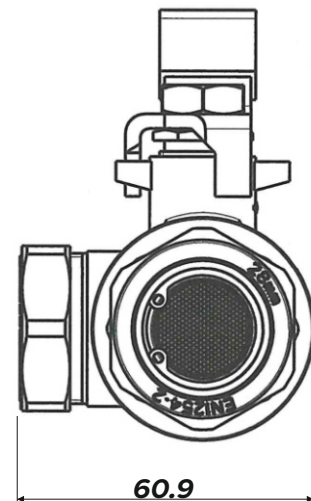


Product

BVF28 - 28mm Ball Valve with 500 Micron Filter Cartridge

Technical Specification

Max Inlet Pressure (static):	25 Bar
Working Temperature:	-10 to 90°C
Temperature Range:	-20 to 120°C
Filter Mesh Size:	500um



Additional Information

Solid brass construction

Lever ball valve handle

Pressure rating of PN25

Working temperature range of -10 to 90°C

Includes 500um mesh filter