

N 70, Built-in oven, 60 x 60 cm, Stainless steel  
B54CR71N0B



COOKING PASSION SINCE 1877



A+

Built-in oven with Slide & Hide® - an easy to handle door that gently disappears under the oven. Home Connect - control your oven via the App.

- ✓ 3,7" Full Touch TFT Display - Intuitive navigation for easy use and complete control.
- ✓ Slide & Hide® - An easy to handle door that disappears under the oven for unrestricted access.
- ✓ Circo Therm® - smart hot-air solution that lets you bake on up to three levels at once.
- ✓ Pyrolytic Self-Cleaning with Easy Clean - the duo for optimal cleaning: pyrolytic after heavy use and Easy Clean for in between
- ✓ Soft Open - Self-regulating doors for a quiet oven.

#### Features

##### Technical Data

Gross weight : 41.8 kg  
 Color / Material Front : Stainless steel  
 Construction type : Built-in  
 Integrated Cleaning system : Pyrolytic+Hydrolytic  
 Min. required niche size for installation (HxWxD) : 585-595 x 560-568 x 550 mm  
 Dimensions : 595 x 596 x 548 mm  
 Dimensions of the packed product (HxWxD) : 670 x 690 x 660 mm  
 Control Panel Material : Glass  
 Door Material : Glass  
 Net weight : 37.7 kg  
 Usable volume of cavity : 71 l  
 Cooking method : Bottom heat, Bread Baking Setting, Conventional heat, Conventional heat gentle, Dough proving, Full width grill, Half width grill, Hot Air, Hotair gentle, Hot air grilling, low temperature cooking, Pizza setting, pre-heating, warming  
 Number of interior lights : 1  
 Length of electrical supply cord : 120.0 cm  
 Interior Lights - cavity 1 : 1  
 Ease of access : Accessory  
 Clock function : Alarm, Off, On  
 Included accessories : 2 x combination grid, 1 x universal pan  
 Broil Element Wattages cavity 1 : 2800 W  
 Convection Element Wattages cavity 1 : 2300 W  
 Energy efficiency rating : A+  
 Energy consumption per cycle conventional (2010/30/EC) : 0.87 kWh/cycle  
 Energy consumption per cycle forced air convection (2010/30/EC) : 0.69 kWh/cycle  
 Energy efficiency index (2010/30/EC) : 81.2 %  
 Connection rating : 3600 W  
 Fuse protection : 16 A  
 Voltage : 220-240 V  
 Frequency : 50; 60 Hz  
 Plug type : no plug (electrical connection by electrician)  
 Color / Material Front : Stainless steel  
 Energy input : Electric  
 Required cutout/niche size for installation (in) : x  
 Dimensions of the packed product : 26.37 x 25.98 x 27.16  
 Net weight : 83.000 lbs  
 Gross weight : 92.000 lbs  
 Length of electrical supply cord : 120.0 cm  
 Net weight : 37.7 kg  
 Included accessories : 2 x combination grid, 1 x universal pan

#### Included accessories

2 x combination grid, 1 x universal pan

#### Optional accessories

Z11AB15A0 : Baking tray, non-stick ceramic coated , Z11AU15A0 : , Z11CG10X1 : , Z11CR10X0 : Baking and roasting grid (standard) , Z11GT10X3 : Glass roasting dish, 5,4l , Z11GU20X0 : Glasspan , Z11SZ00X0 : SeamlessCombination mounting kit , Z11SZ80X1 : SeamlessCombination 60 + 29cm , Z11SZ90X0 : SeamlessCombination 60 + 45cm , Z12CB10A0 : Baking tray, anthracite enamelled , Z12CL10A0 : , Z12CM10A0 : Moussaka pan, anthracite enamelled , Z12CN10A0 : , Z12CP10A0 : Pizza pan, anthracite enamelled , Z12CU10A0 : , Z13CR10X0 : Baking and roasting grid (steam) , Z13CV06S0 : Decor strip , Z1608CX0 : Full ext rails, level independent, pyro , Z1650BE0 : Half tray , Z1655CA0 : Air Fry & Grill tray, anthracite , Z1913X0 : Baking Stone , Z19DD10X0 : Steam set for ovens



## Features

- Oven with 14 heating methods: CircoTherm®, Top/bottom heat, Circo-roasting, Full surface grill, Centre surface grill, CircoTherm® intensive, Bread baking, Bottom heat, Low temperature cooking, Dough proving, Plate warming, Keep warm, CircoTherm® gentle, Conventional heat gentle

### Design

- Touch control
- Cavity inner surface: enamel anthracite

### Features

- HomeConnect ready on WLAN
- Oven Assistant with Voice Control
- Door lock during pyrolytic cleaning  
Control panel lock Automatic safety switch off Residual heat indicator Start button Door contact switch
- Full glass inner door

### Programmes/functions

- Temperature range 40 °C - 200 °C
- LED light, On/off button
- Electronic clock timer
- Slide&Hide® with rotating handle
- SoftOpen
- Quadruple glazed door glazed CoolTouch door
- 30 °C - Very low door temperature
- Temperature proposal  
Actual temperature display Heating up indicator
- cookControl Plus
- Rapid heat
- Cooling fan
- Stainless-steel fan

### Level independent telescopic rails

- 4 shelf positions
- Available as an accessory, pyrolytic proof

### Cleaning

- Pyrolytic cleaning
- EasyClean

### Accessories

- 2 x combination grid, 1 x universal pan

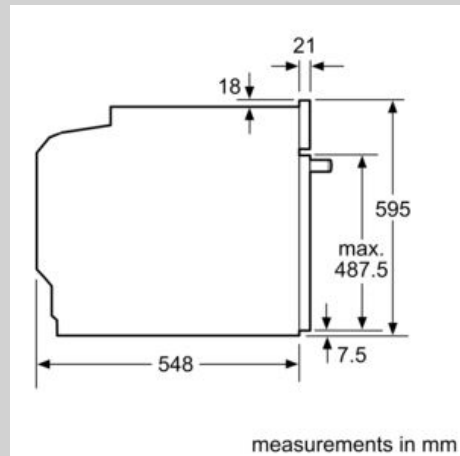
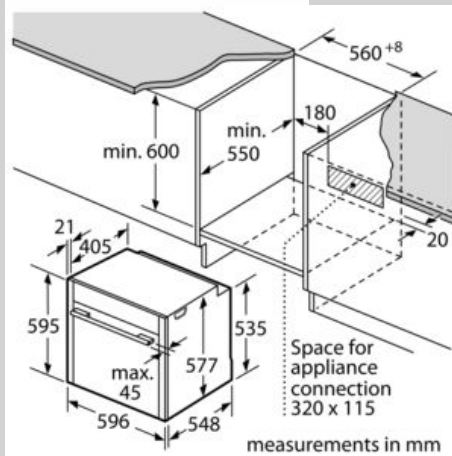
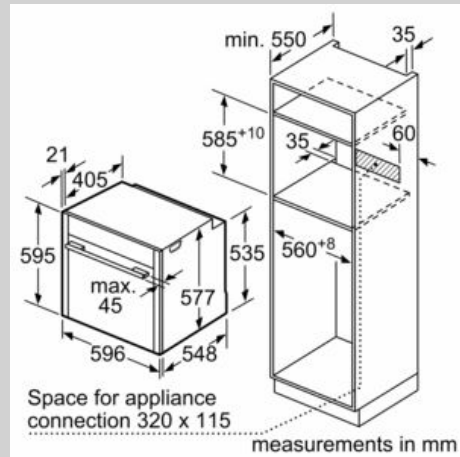
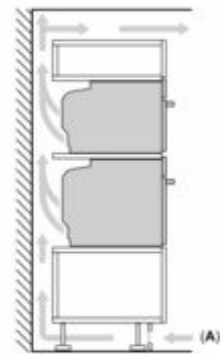
### Performance/technical information

- Appliance dimension (hxwx): 595 mm x 596 mm x 548 mm
- Niche dimension (hxwx): 585 mm - 595 mm x 560 mm - 568 mm x 550 mm
- 120 cm Cable length
- Nominal voltage: 220 - 240 V
- Total connected load electric: 3.6 KW
- Energy efficiency rating (acc. EU Nr. 65/2014): A+  
Energy consumption per cycle in conventional mode: 0.87 kWh  
Energy consumption per cycle in fan-forced convection mode: 0.69 kWh  
Number of cavities: Main cavity Heat source: electrical Cavity volume: 71 litre
- Please refer to the dimensions provided in the installation manual

N 70, Built-in oven, 60 x 60 cm, Stainless steel  
B54CR71NOB

Dimensioned drawings

Installing two appliances on top of each other  
Air exchange



If the appliance will be installed underneath a hob, the following worktop thicknesses (including substructure if necessary) must be taken into account.

Hob type	min. worktop thickness	
	fitted	flush
Induction hob	37 mm	38 mm
Full surface Induction hob	47 mm	48 mm
Gas hob	30 mm	38 mm
Electric hob	27 mm	30 mm