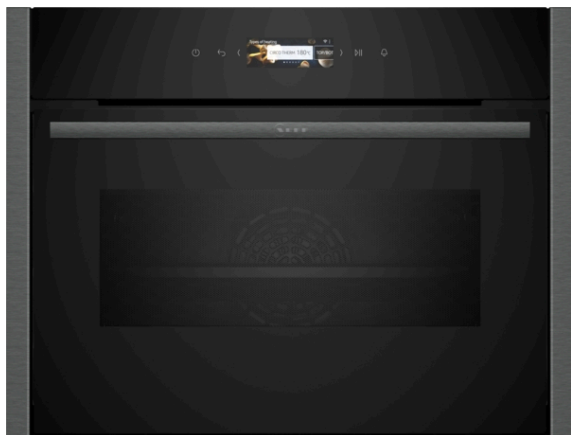


N 70, Built-in compact oven with microwave function, 60 x 45 cm, Graphite-Grey  
C24MR21G0B



Compact built-in oven with microwave - to cook quickly and conveniently in a very small space. Home Connect for control via the App.

- ✓ 3,7" Full Touch TFT Display - Intuitive navigation for easy use and complete control.
- ✓ Inverter Technology - Heat food gradually and evenly.
- ✓ Combined microwave and oven - the convenient solution to save space and time
- ✓ Easy Clean - this cleaning aid provides fast, energy-saving cleaning of the oven interior.
- ✓ Soft Close with Soft Opening - the damping system cushions the door for gentle opening and closing

#### Features

##### Technical Data

Type of micro-wave oven : MW-Combi  
 Type of control : Electronic  
 Dimensions : 455 x 596 x 548 mm  
 Cavity dimensions : 237.0 x 480 x 392.0 mm  
 Length electrical supply cord : 150.0 cm  
 Net weight : 35.3 kg  
 Gross weight : 37.6 kg  
 EAN code : 4242004266471  
 Maximum micro-wave power : 900 W  
 Connection Rating : 3600 W  
 Fuse protection : 16 A  
 Voltage : 220-240 V  
 Frequency : 50 Hz  
 Plug type : No plug (electrical connection by electrician)  
 Cavity dimensions : 237.0 x 480 x 392.0 mm  
 Included accessories : 1 x combination grid, 1 x universal pan



4 242004 266471

#### Optional accessories

Z11AB15A0 Baking tray, non-stick ceramic coated  
 Z11CR10X0 Baking and roasting grid (standard)  
 Z11SZ00X0 SeamlessCombination mounting kit  
 Z11SZ60G0 SeamlessCombination 45 + 14cm  
 Z11SZ90G0 SeamlessCombination 60 + 45cm  
 Z12CM10A0 Moussaka pan, anthracite enamelled  
 Z13CV06S0 Decor strip  
 Z1650BEO Half tray  
 Z1655CA0 Air Fry & Grill tray, anthracite

*N 70, Built-in compact oven with microwave  
function, 60 x 45 cm, Graphite-Grey  
C24MR21G0B*

## Features

### Type of oven / heating system:

- Compact oven with microwave with 16 heating methods: Conventional heat, Hot air grilling, Full surface grill, Half width grill, Bottom heat, Dough proving, Plate warming, CircoTherm® gentle, Conventional heat gentle, Hotair, microwave, Circulating air, Top/bottom heat + microwave, grill + microwave, half width grill + microwave, hotair grilling + microwave
- Max. Power: 900 W; 5 Microwave power settings (90 W, 180 W, 360 W, 600 W, boost) with Inverter (MW)
- Intelligent inverter technology: maximum output power will be regulated to 600 W when used in longer operation
- Temperature range 30 °C - 230 °C

### Hook-in racks / rails

- Number of shelf levels: 3 PC

### Design:

- Graphite-Grey Edition
- Touch control
- Cavity inner surface: enamel

### Cleaning:

- Easy Clean (program)

### Comfort:

- Oven Assistant with Voice Control
- 3,7" Full Touch TFT Display
- Electronic clock
- Temperature proposal  
Actual temperature display Optical temperature control
- Drop down door
- Soft Open
- Supporting systems: Automatic Meal Settings
- LED light, Independent oven interior light button
- Cooling fan
- Stainless-steel fan
- Home Connect ready on Wi-Fi

### Accessory:

- 1 x combination grid, 1 x universal pan

### Environment and Safety:

- Low door temperature
- Triple glazed door glazed CoolTouch door
- Individual adjustable child lock  
Residual heat indicator Start-/Stop button Door contact switch

### Technical Information

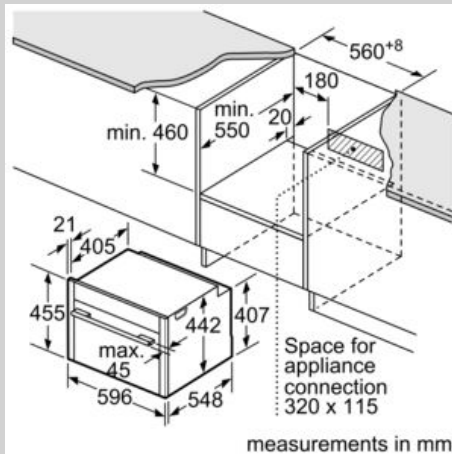
- Length of mains cable: 150 cm
- Nominal voltage: 220 - 240 V
- Total connected load electric: 3.6 KW

### Dimensions:

- Appliance dimension (HxWxD): 455 mm x 596 mm x 548 mm
- Niche dimension (HxWxD): 450 mm - 455 mm x 560 mm - 568 mm x 550 mm
- "Please reference the built-in dimensions provided in the installation drawing"

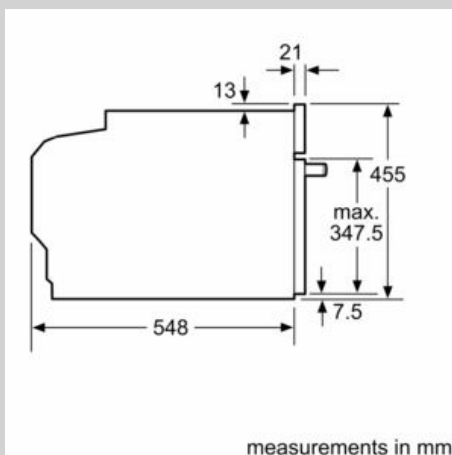
N 70, Built-in compact oven with microwave function, 60 x 45 cm, Graphite-Grey  
C24MR21G0B

## Dimensioned drawings

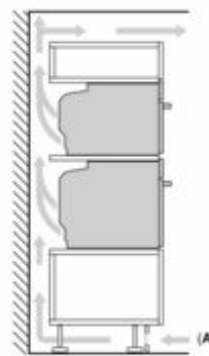


If the compact appliance will be installed underneath a hob, the following worktop thicknesses (including substructure if necessary) must be taken into account.

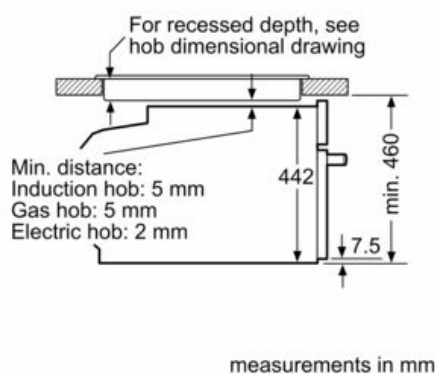
Hob type	min. worktop thickness	
	fitted	flush
Induction hob	42 mm	43 mm
Full surface Induction hob	52 mm	53 mm
Gas hob	32 mm	43 mm
Electric hob	32 mm	35 mm



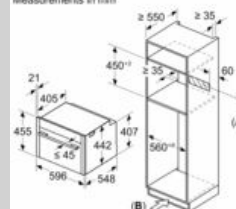
Installing two appliances on top of each other  
Air exchange



Installation with a hob.



Measurements in mm



A: Space for appliance connection 320 x 115 mm

B: Ventilation space in the base  $\geq 200 \text{ cm}^2$