

Tips

Before you start...

- Check your Alloy panel for damage or imperfections
- Read the entire installation guide and decide on the installation method you plan to use
- Ensure you have all of the tools and materials required
- Measure the designated area for your Alloy panel to ensure you have enough material
- Ensure receiving surfaces are clean and smooth
- Do not remove the protective film from the back of your splashback until after you have cut to size and are ready to apply adhesive

During installation...

- Ensure you wear the appropriate Personal Protective Equipment throughout installation
- Always complete a dry fit between cut and installation

Tools

- Tape measure
- Sand paper
- Masking tape
- Spirit level
- Complete adhesive
- Complete sealant (or clear silicone)
- Sealant gun
- 1.5mm packers
- Metal file
- Metal seam roller
- Circular saw with new aluminium cutting blade
- Handheld router
- Electric drill with HSS drill bit
- Jig saw with new aluminium cutting blade
- Guide rail for circular saw



Circular Saw with new aluminium cutting blade



Handheld router



Electric Drill with HSS drill bit (or hole saw)



Jig Saw with aluminium cutting blade

Sheet Inspection

The first step is to inspect your Alloy panel for damage or imperfections prior to installation, being sure to check the Alloy surface for scratches or drag marks. If you find damage, unless the damage can be removed, do not work with the panel. Instead, please contact your supplier.

If you are installing multiple Alloy panels next to each other, please check for colour variation before commencing. If there is colour variation, please contact your supplier.

Do not remove the protective film from the back of your splashback until after you have cut to size and are ready to apply your adhesive.

Installation Methods

Fitting the Vanity Splashback Panel for a superior finish, use a profile. The panel is finished with trims, then adhered to the wall.

Cutting and Finishing

Always support the panel fully on a clean, flat surface and cut with the decorative side of the panel face down.

Before you start, check nothing is beneath the panel that will damage or scratch the surface, and that nothing can be damaged by your work. Important: if it is necessary to cut your panels to size, it is very important to be aware that any newly cut edge will be very sharp and must be finished.

Check your measurements before cutting, and remember to leave a 1.5mm allowance for thermal expansion.

Use a circular saw with a new aluminium cutting blade to cut your panel to size.

Cut so that the blade cuts up through the front of the splashback.

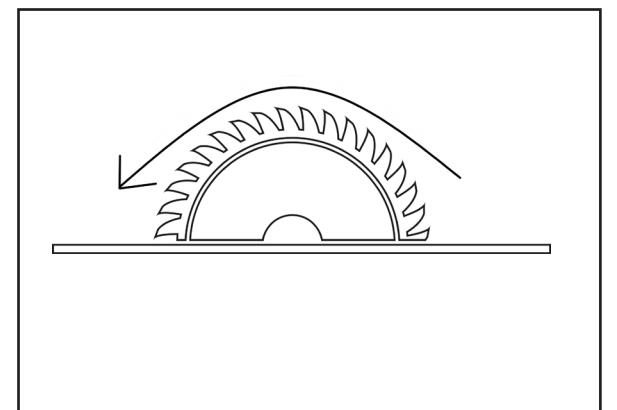
Remember to measure twice, and cut once.

Finishing: After cutting, it is essential to deburr cut edges to create a slight bevel to both top and bottom, using a wooden block with either 300 or 400 grit sand paper.

Angle your block and sand with a few passes across the entire length, creating a slight bevel.

In doing so, you will be left with a clean, straight edge and you will remove any possible blade wobble left by cutting.

Important: Do not use a deburring bladed tool or a rotary tool for this purpose.



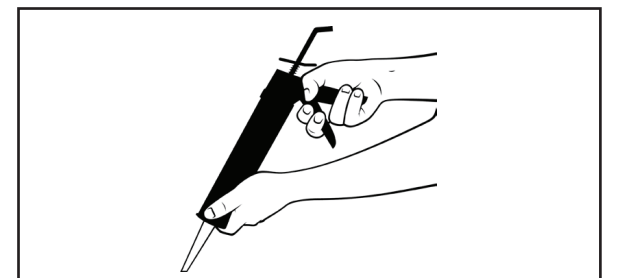
Fitting a Vanity Splashback Panel Only

If you are fitting a vanity panel only, carry out a dry fit of the panel by placing it against the wall without applying adhesive.

Once happy with the fit, remove the protective film from the back of the panel.

Leaving a 40mm perimeter around the edge adhesive-free, apply Complete adhesive in zig zag motions.

Apply the panel to the wall and follow Complete adhesive guidelines. Once cured, edge all around with Complete sealant.



Fitting with a Profile Finish

The profile method allows you to finish the edges of the splashback before attaching to the wall.

Cut your panel to size following the instructions above.

Once cut, carry out a dry fit of the splashback against the wall to ensure you are happy with the sizing.

Lay the splashback flat and fully supported with the decorative side face down. Using edge profiles, sold separately to your splashbacks, carry out a dry fit of your profiles on the top and sides of your splashback. Cut trims to size if necessary using a chop saw.

Cutting at a 45 degree angle to ensure all 4 corners have a perfect fit.

Once happy with the fit, remove the protective film from the back of the splashback and clean the back of the splashback with an alcohol wipe.

Remove the double sided tape backer from the first profile and attach to the panel with the tape on the back.

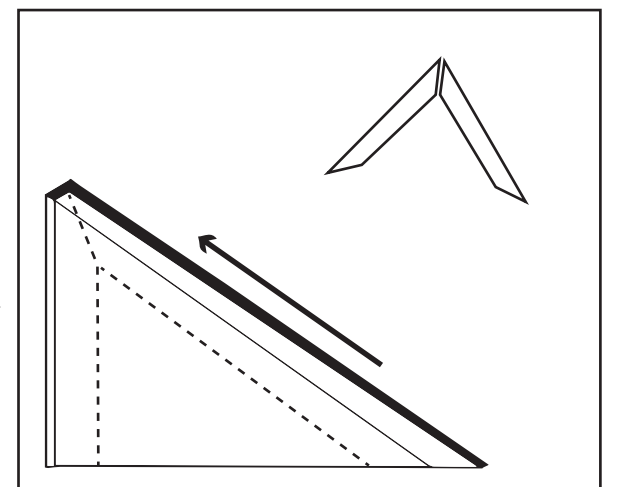
Repeat this step for each edge profile until the splashback is fully edged.

Carry out a dry fit of your splashback with profile(s) adhered to it, against the wall.

Once happy, apply Complete adhesive to the back of the splashback in a zig zag, leaving a 40mm perimeter around the edge adhesive-free.

Apply the splashback to the wall, using packers for the expansion gaps. Follow Complete adhesive guidelines.

Once cured, remove packers and edge all around with Complete sealant.



Care and Maintenance

Alloy panels are tested for all aspects of durability, however like most wall surfaces it is vital that panels are cared for and correctly maintained to ensure the decorative finish is retained.

There are some simple guidelines to follow to keep your Alloy panels looking great.

Cleaning

- Alloy panels must only be cleaned regularly using a gentle household cleaner.
- Splashes, oil and a build up of grime should be removed and wiped clean with a gentle household cleaner.
- Only use a soft microfibre cloth or a non-abrasive cloth.
- Do not use acidic, caustic or abrasive cleaning detergents or materials to clean the Alloy surface.
- Do not use detergent with bleach or homemade remedy solutions like baking soda or other stain removing powders

Placement and Everyday Use.

- Avoid placing metallic or sharp objects against your Alloy splashback as this may pose risk of scratching.
- Ensure boiling water and steam is directed away from the Alloy splashback as this may pose risk of damage.

Alloy splashbacks must be stored in a horizontal, flat, level and enclosed environment. You can store your splashback in its packaging in temperatures between -10°c and 40°c.

However, before installation your splashback should be stored for 24 hours at normal room temperature (18°c - 25°c, relative humidity 50-65%).