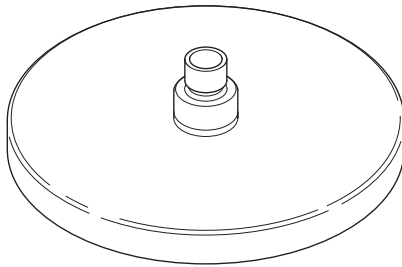
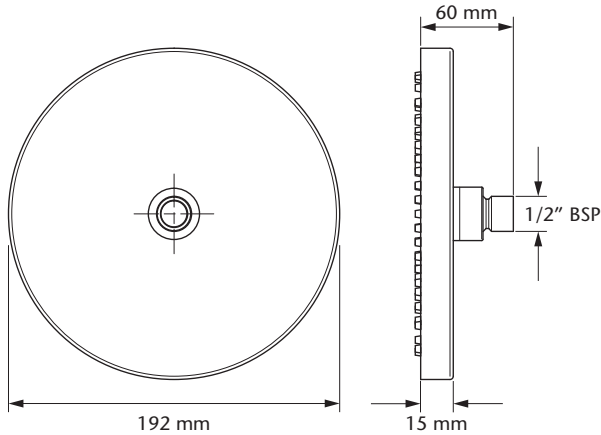


# Isabel 3 Fixed Shower Head



**SAFETY RECOMMENDED TRITON ACCESSORY**

Dimensions are approximate

INSTALLERS PLEASE NOTE THESE INSTRUCTIONS ARE TO BE LEFT WITH THE USER

## **INSTALLATION**

Before installing the shower head, flush the pipework through to remove any debris that may be in the system.

## **CLEANING**

Triton recommends that all products are cleaned using warm, soapy water.

**DO NOT** use abrasive or aggressive chemical cleaning products as this may affect the product surface and finish.

**Before cleaning**, turn off the unit at the mains supply to avoid the shower being accidentally switched on. The shower head may be cleaned by simply rubbing your thumb over the spray plate.

### **IT IS IMPORTANT TO KEEP THE SHOWER HEAD CLEAN TO MAINTAIN THE PERFORMANCE OF THE SHOWER.**

The hardness of the water will determine the frequency of cleaning. For example, if the shower is used every day in a very hard water area, it may be necessary to clean the shower head on a weekly basis.

## **SHOWER HEAD**

Fitting the correct type of shower head is critical to the safe performance of your shower, especially if you have an electric shower. Some shower heads are only suitable for use on mixer showers as the flow of water from them can be restricted or stopped completely, which can result in a build-up of potential hot water which could, under pressure, be unexpectedly released.

You can therefore, rest assured when you order a genuine Triton electric shower head that it has been fully tested for use in the UK on all electric shower types.

## **REPLACEMENT PARTS**

Fixed shower head chrome	88600027
Fixed shower head black	88600036