

Vanity Unit Installation Guide

Check all product contents and read instructions before starting installation

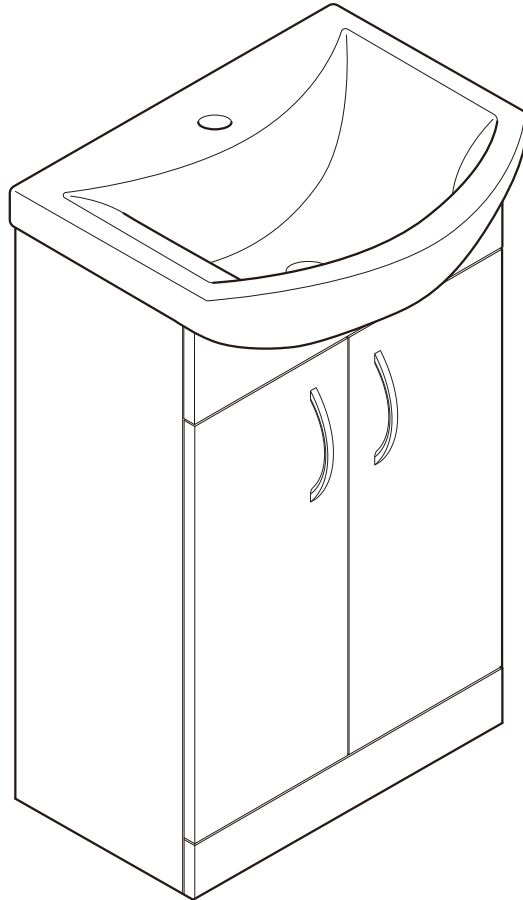
Handle product with care.

When drilling walls check first for hidden pipes and cables.

Use safety eyewear when drilling.

Keep small parts away from children.

This product is above 20kg and requires 2 people to carry and install it.



Cleaning

Use household domestic cleaning products that have no abrasive ingredients, then wipe with fresh water, removing all traces of cleaning agent, to prevent streaks forming.

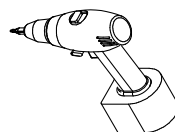
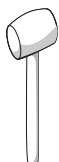
Dry the surface with a clean, absorbent cloth or paper towels.

The following cleaning agents should not be used under any circumstances:

- Scouring and abrasive agent (abrasive powders, scouring pads, steel wool)
- Polish, washing powder, furniture cleaner or bleach
- Detergents with strong acids and acidic salts
- Steam cleaning equipment



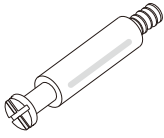

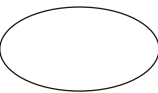
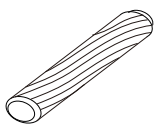
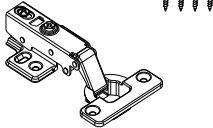
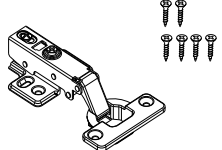

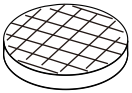
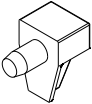
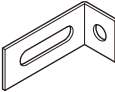
crosshead

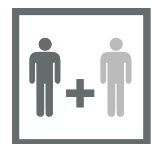
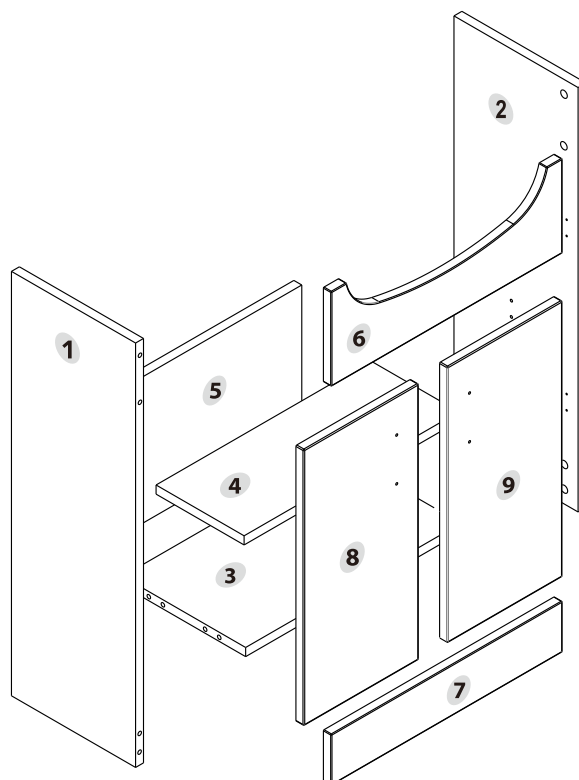


Φ8



Parts Supplied

 <p>x16+1</p>	 <p>x16+1</p>	 <p>x16+1</p>	 <p>x4+1</p>	<p>* Soft close hinge</p>  <p>A x2</p>
<p>* Non soft close hinge</p>  <p>B x2</p>	 <p>x2</p>	 <p>x4</p>	 <p>x4</p>	 <p>x2</p>



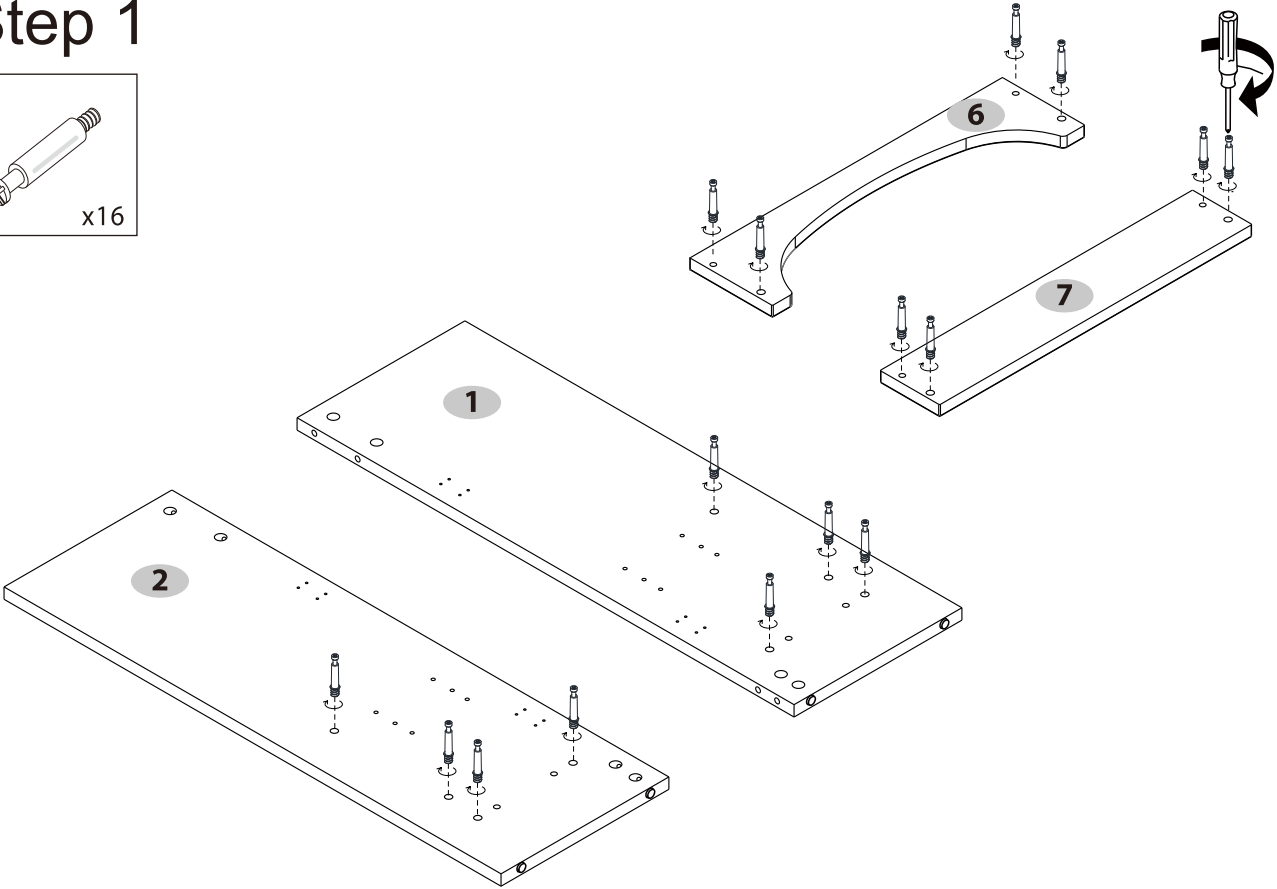
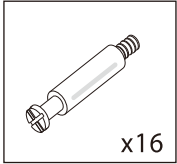
1 helper for some tasks



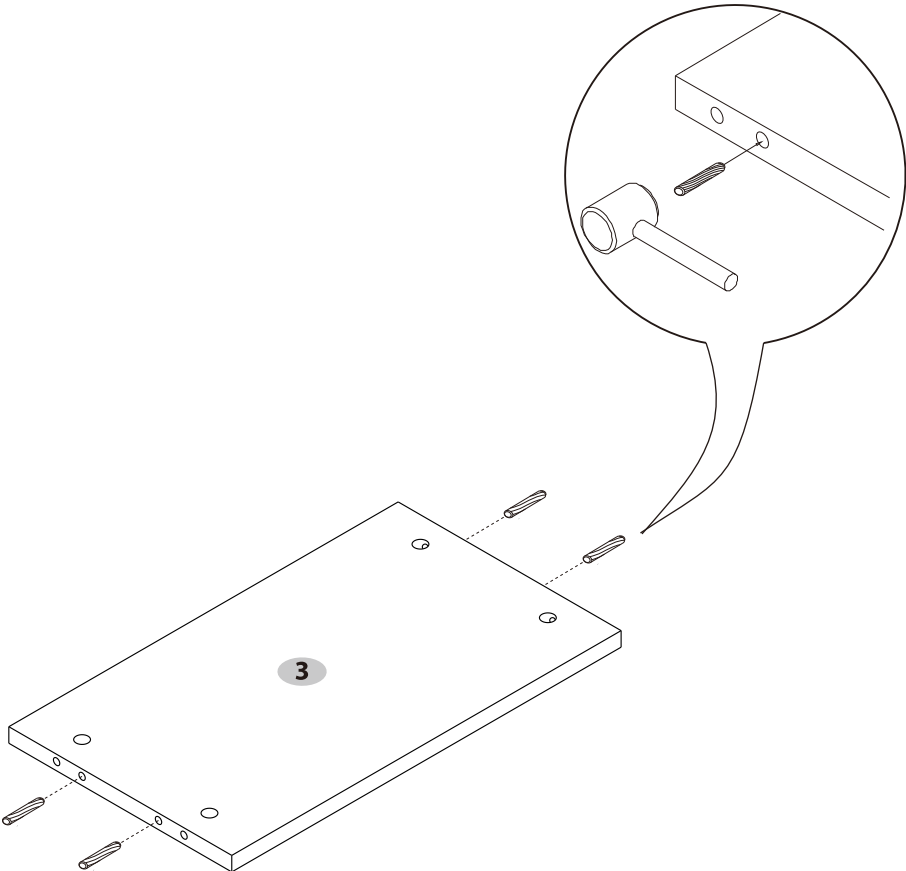
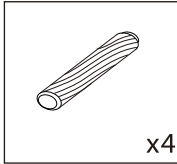
Customer support

We have taken great care to ensure that this product reaches you in perfect condition. However, should any parts be damaged or missing please contact your local Wickes branch. This does not affect your statutory rights. In addition if you require replacement parts, your local Wickes branch will be happy to assist.

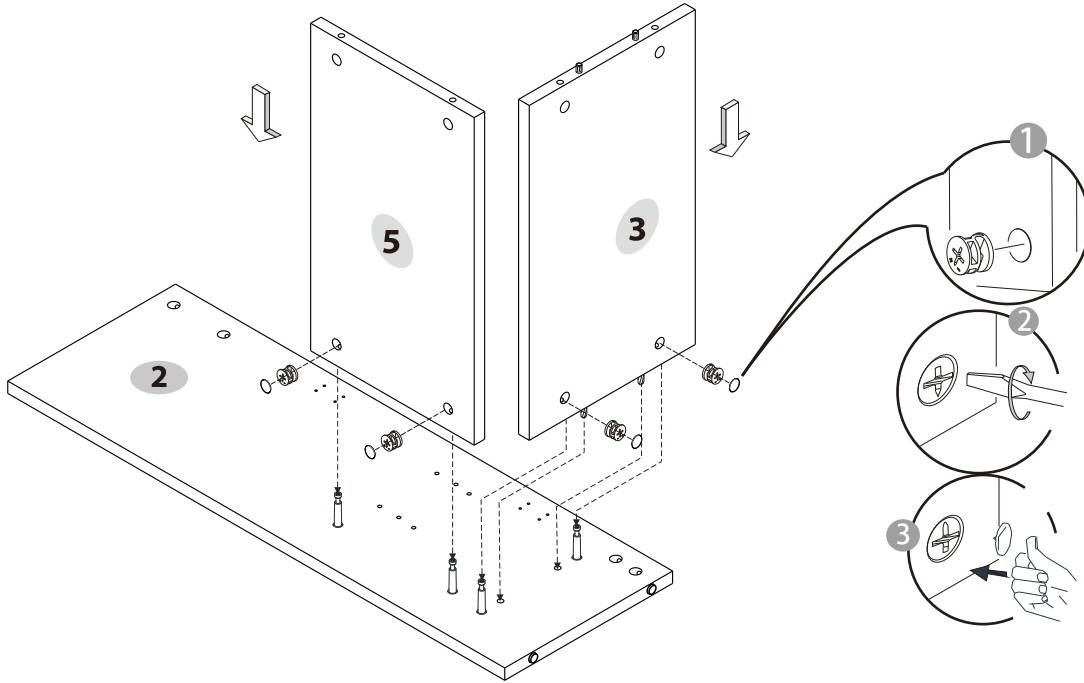
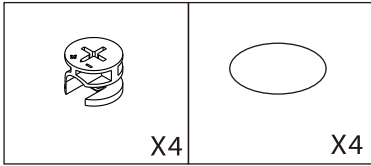
Step 1



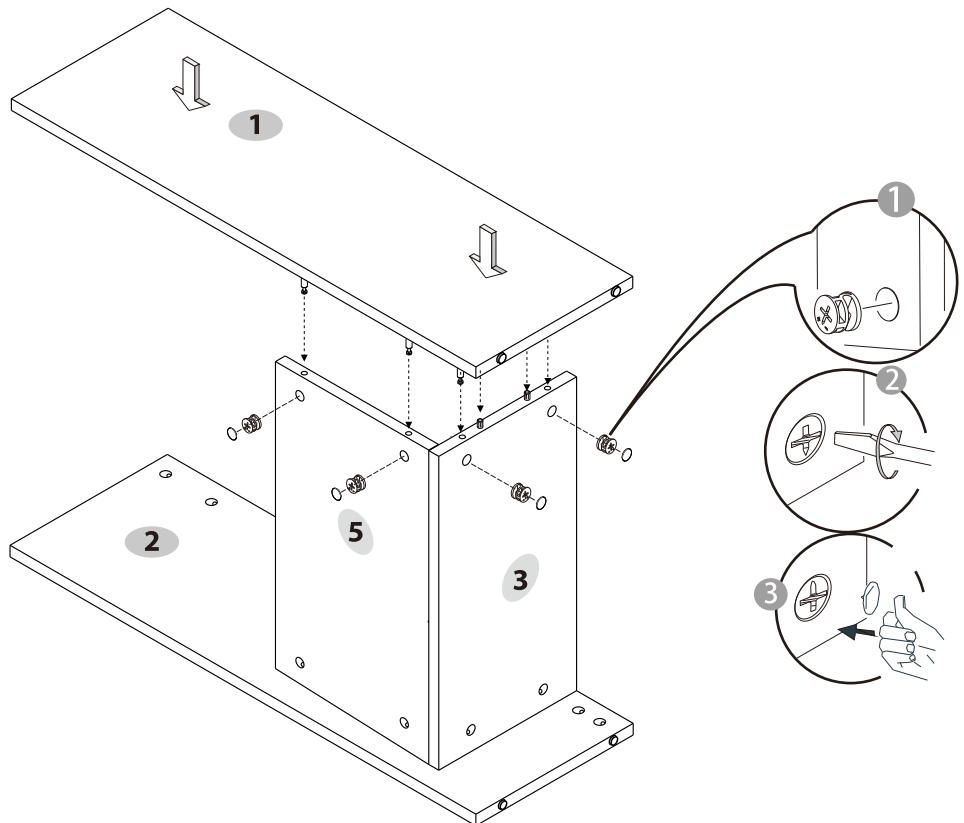
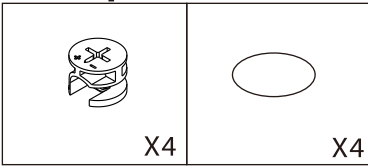
Step 2



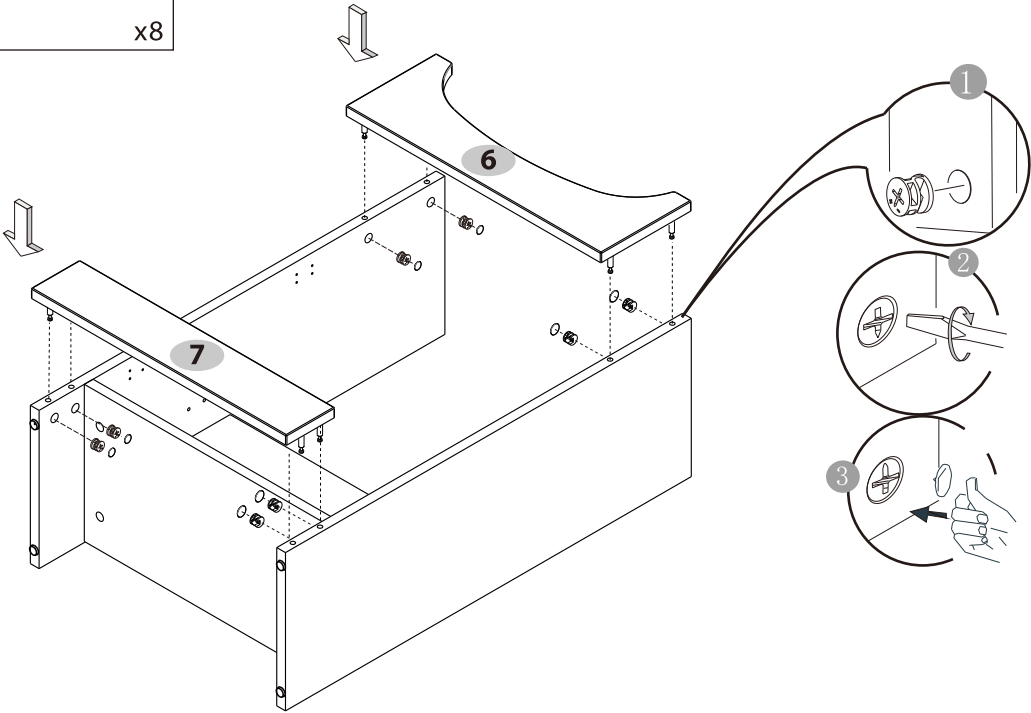
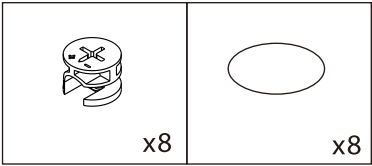
Step 3



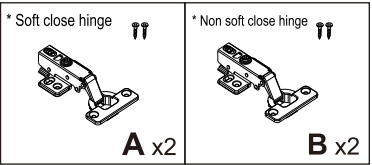
Step 4



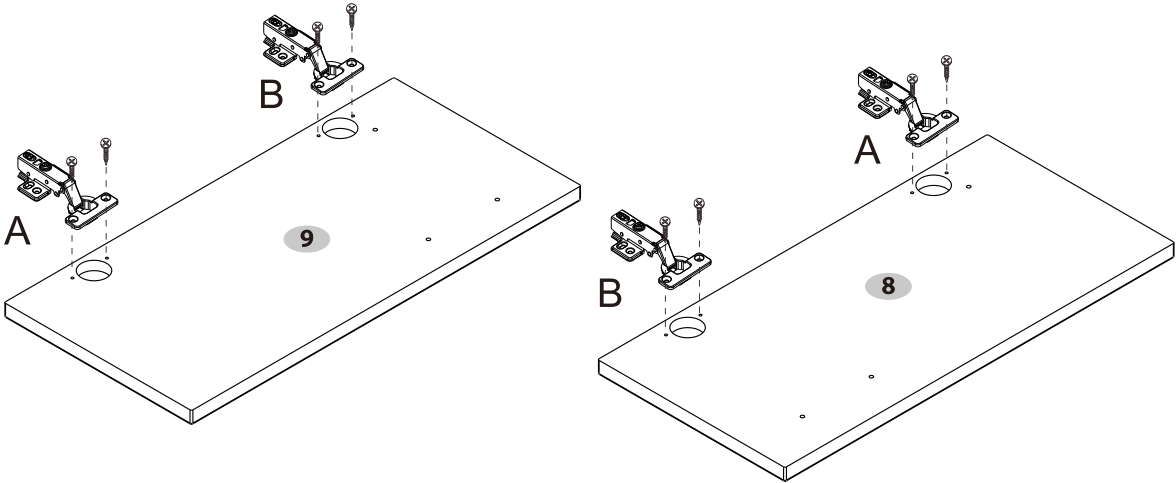
Step 5



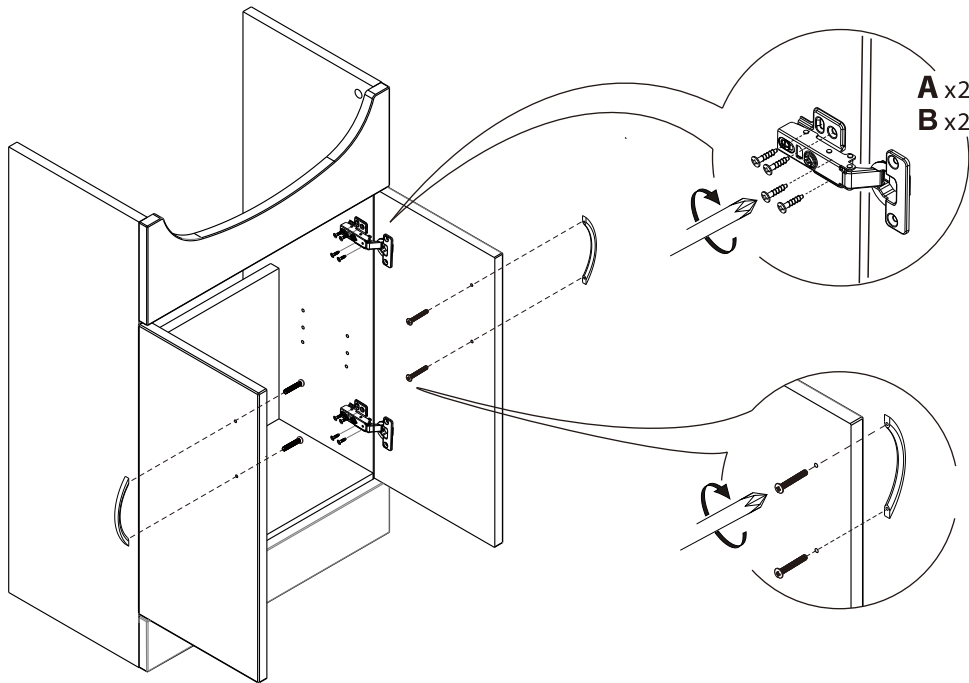
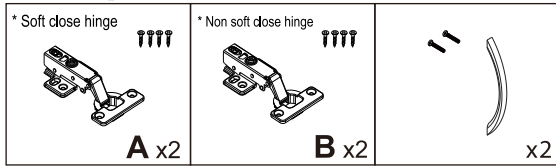
Step 6



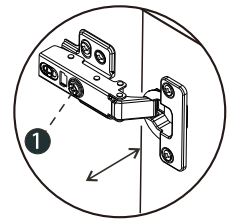
Hinge Part A = Soft Close
Hinge Part B = Non Soft Close



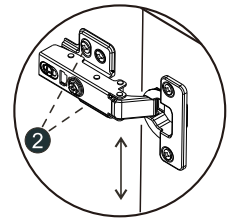
Step 7



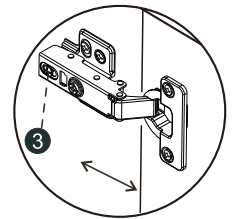
ADJUSTING DOORS



To adjust width

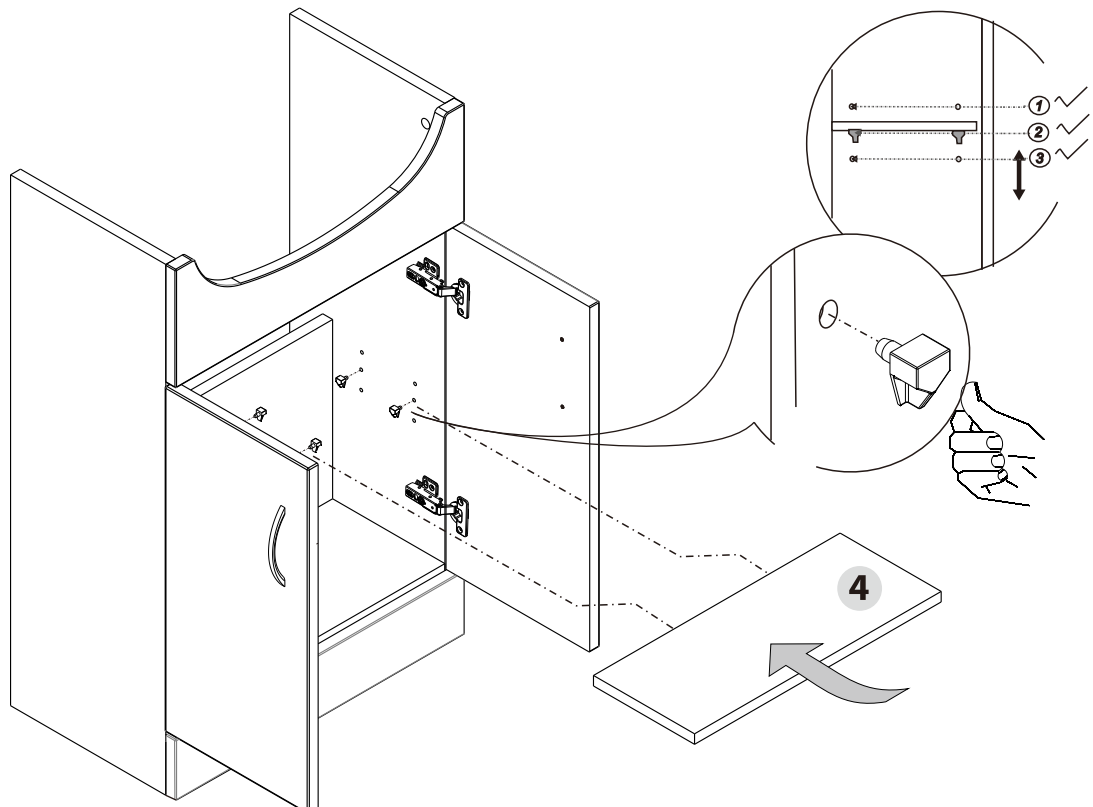
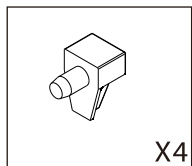


To adjust height

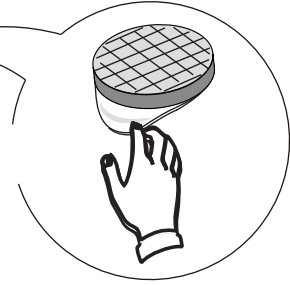
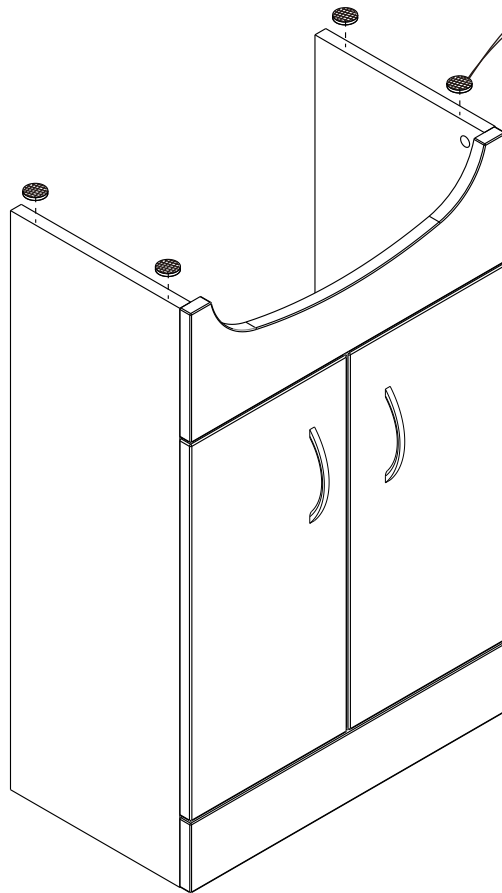
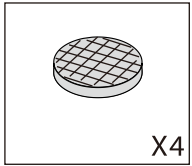


To adjust depth

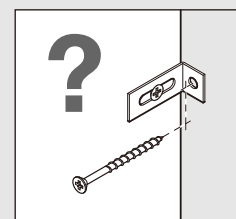
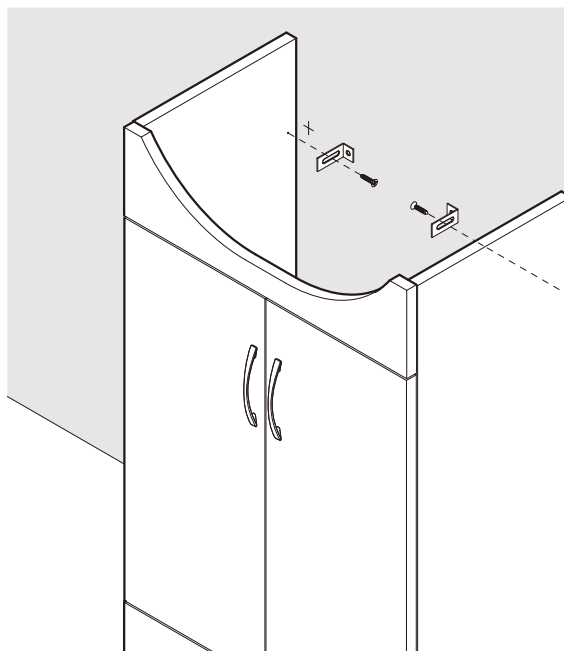
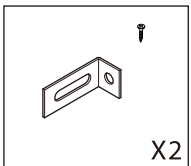
Step 8



Step 9



Step 10



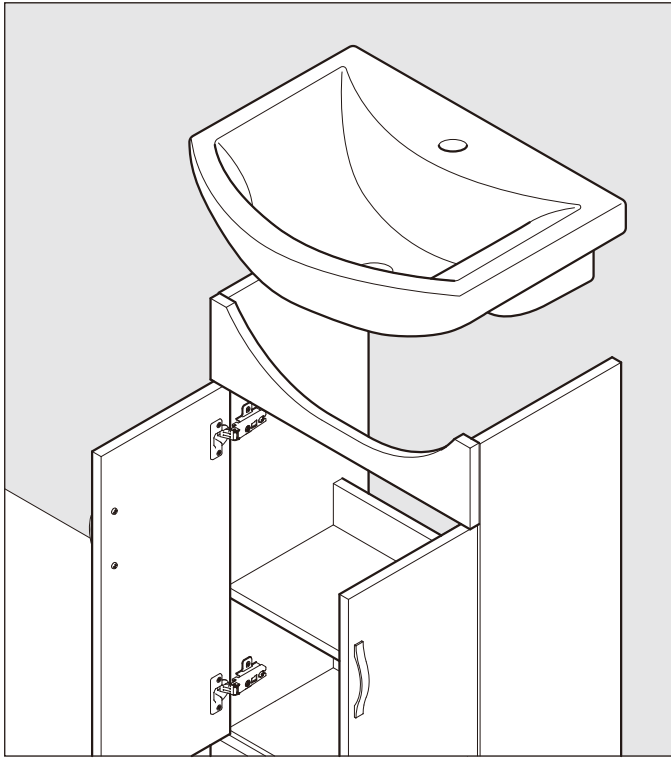
Wall fixing screws are not supplied, please use suitable fixings dependant upon wall construction.



When drilling the walls, check first for hidden pipes and cables

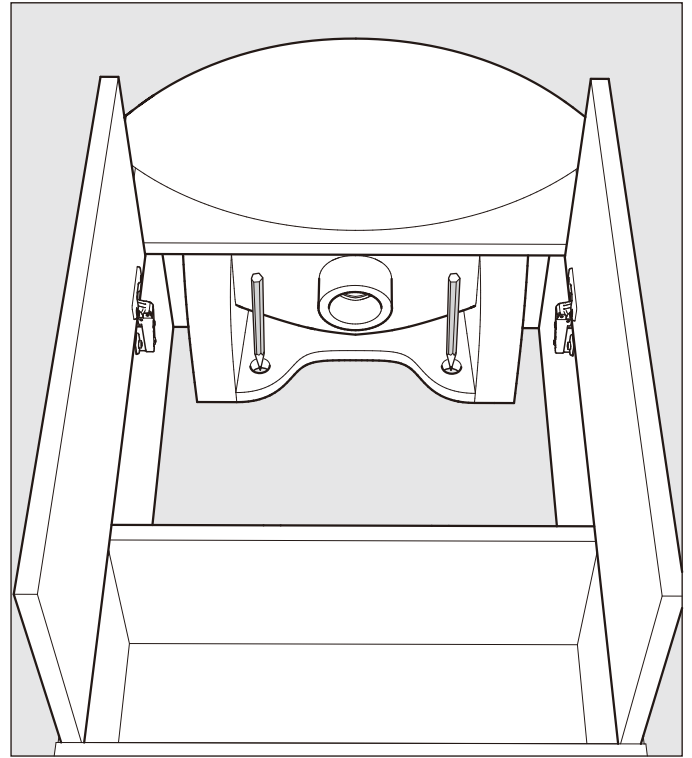
FITTING THE BASIN

STEP 1



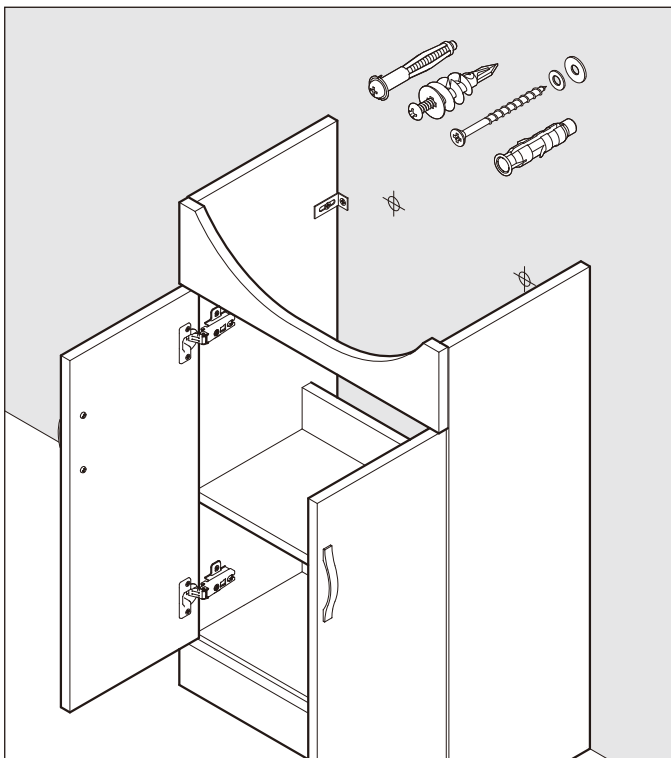
Place basin on top of the vanity unit.

STEP 2



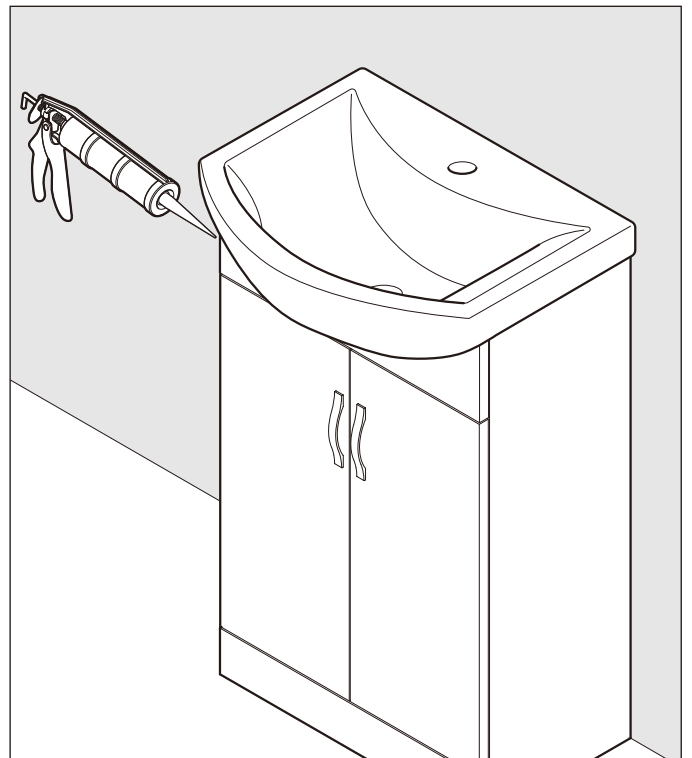
Mark the two fixing positions on the wall.

STEP 3



Secure basin using suitable fixings dependant upon wall construction. Wall fixing screws are not supplied.

STEP 4



Complete the installation by applying a bead of sealant between the basin and the vanity unit and between the basin and the wall. Allow sealant to cure fully before use.

Guarantee Terms

In the unlikely event that this product does not meet your expectations or a quality issue arises, please contact your point of purchase with the details and your proof of purchase. We reserve the right to carry out a product inspection prior to validating a claim.

The product carries a 2 year guarantee which covers against manufacturing defects. Serviceable parts which are subject to wear and tear are covered at the discretion of the retailer. The guarantee does not cover deterioration through normal wear and tear, deterioration due to infestation, wilful damage, accident, improper or negligent use, unauthorised modification or repair, or incorrect storage.

During the guarantee period for the product, we will, at our discretion, repair or replace the product, or the defective part, subject to the guarantee exclusions set out above and your claim being validated.