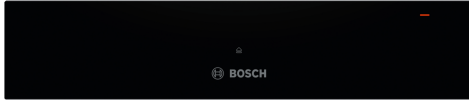


**Series 6, Built-in warming drawer, 60 x 14 cm, Black  
BIC510NB0**



**Included accessories**

1 x Anti-slip mat

**Optional accessories**

HEZG9AS00S Adapter

**The multifunction warming drawer for the 14 cm niche: for pre-heating plates and keeping food warm.**

- **Push-pull mechanism:** easy opening and closing thanks to a clever spring mechanism.

**Technical Data**

Built-in / Free-standing: ..... Built-in  
 Maximum number of plates: ..... 14  
 Maximum number of espresso cups: ..... 64  
 Dimensions: ..... 140 x 594 x 540 mm  
 Dimensions of the packed product (HxWxD): ..... 210 x 660 x 660 mm  
 Min. required niche size for installation (HxWxD): .... 140 x 560 x 550 mm  
 EAN code: ..... 4242005035403  
 Fuse protection: ..... 6 A  
 Voltage: ..... 220-240 V  
 Frequency: ..... 60; 50 Hz  
 Plug type: ..... Gardy plug w/ earthing  
 Included accessories: ..... 1 x Anti-slip mat



**Series 6, Built-in warming drawer, 60  
x 14 cm, Black  
BIC510NB0**

**The multifunction warming drawer for the  
14 cm niche: for pre-heating plates and  
keeping food warm.**

---

**Design**

- Cavity inner surface: stainless steel
- Rotary dial
- User-friendly electronics: extremely
- easy and comfortable operation
- Push-pull opening mechanism

**Programmes/functions**

- 4 Functions: keeping drinks and food warm, pre-warming of tableware, yeast dough proving, thawing of delicate foods
- Can accommodate up to:
  - -14plates
  - -64 espresso cups
- Loading up to 15 kg

**Accessories**

- 1 x Anti-slip mat

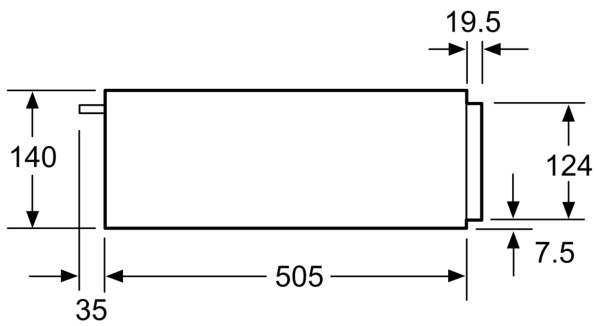
**Technical information**

- Cavity volume: 23 l
- Power cord length 150 cm Cable length
- Total connected load electric: 0.4 KW
- Nominal voltage: 220 - 240 V

**Performance/technical information**

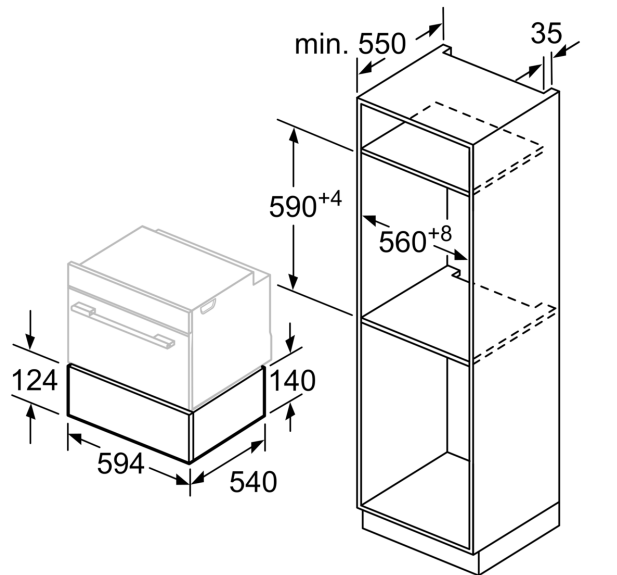
- Appliance dimension (hxwxh): 140 mm x 594 mm x 540 mm
- Niche dimension (hxwxh): 140 mm x 560 mm - 568 mm x 550 mm
- Please refer to the dimensions provided in the installation manual

**Series 6, Built-in warming drawer, 60  
x 14 cm, Black  
BIC510NB0**



Compact ovens with an appliance height of 455 mm can be installed above a warming drawer. An intermediate floor is not required.

measurements in mm



measurements in mm