

**Series 2, Canopy cooker hood, 53 cm, Anthracite
DLN53AA70B**



Optional accessories

- DWZ0IN0A0 Standard odor filter (replacement)
- DWZ0IN0T0 Standard recirculation kit

Canopy cooker hoods are designed to be fully integrated for more flexibility when planning your kitchen.

- **Silent:** maximum extractor performance with minimal noise.
- **3-speed power Level options to suit your cooking style and recipes.**

Technical Data

Typology:	Built-in/Built-under
Length of electrical supply cord:	150.0 cm
Min. required niche size for installation (HxWxD):	208mm x 493.0mm x 257mm mm
Minimum distance above an electric hob:	500 mm
Minimum distance above a gas hob:	650 mm
Net weight:	4.5 kg
Type of control:	mechanical
Number of speed settings:	3
Maximum output air extraction:	302 m ³ /h
Maximum output recirculating air:	300 m ³ /h
Maximum Air flow:	302 m ³ /h
Number of lights (Stck):	2
Noise level:	62 dB(A) re 1 pW
Diameter of air outlet:	120 mm
Grease filter material:	Washable aluminium
EAN code:	4242005095391
Connection rating:	121 W
Fuse protection:	5 A
Voltage:	220-240 V
Frequency:	50 Hz
Plug type:	GB plug
Installation type:	Built-in



Series 2, Canopy cooker hood, 53 cm, Anthracite DLN53AA70B

Canopy cooker hoods are designed to be fully integrated for more flexibility when planning your kitchen.

Key performance features:

- Energy Efficiency Class: D (at a range of energy efficiency classes from A+++ to D)
- Max. extraction rate: 302 m³/h
- Noise max. Normal Level: Noise, max. speed in normal us: 62 dB dB*

Features

- Slider switch control for extractor speeds and light
- 3 power levels
- Single motor
- 2 x 3W LED
- Colour Temperature: 2700 K
- 1 removable metal grease filter cassette
- Installation: integrated

Design

- Canopy hood
- Slider switch control
- Mechanical

Performance/technical information

- Suitable for ducted or recirculating operation
- For recirculated extraction recirculating kit (accessory) needed
- Extraction rate according to EN 61591: max. 302 m³/h
- Noise level according to EN 60704-3 and EN 60704-2-13 at maximum normal setting: extraction rate: 62 dB(A) re 1 pW (48 dB(A) re 20 µPa sound pressure)
- Power rating: 121 W
- Light Intensity: 78 lux
- Electrical cable length 1.5 m
- Diameter pipe Ø 120 mm (Ø 120 mm enclosed)
- Dimensions exhaust air (HxWxD): 208-208 x 534 x 300 mm
- Dimensions recirculating (HxWxD): 208-208 x 534 x 300 mm
- Built-in dimensions (HxWxD): 208 x 493 x 257 mm
- Blower Efficiency Class: E*
- Lighting Efficiency Class: D*
- Grease Filtering Efficiency Class: D*
- Average Energy Consumption: 67.7 kWh/year*

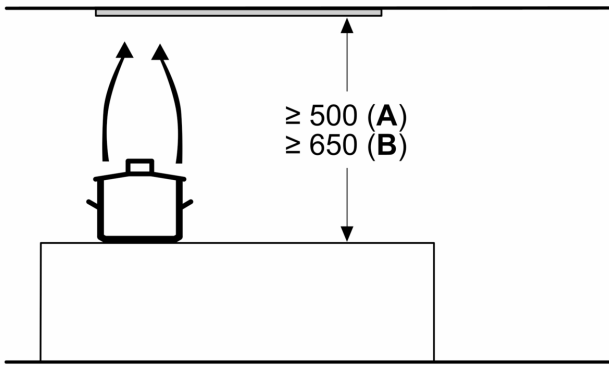
Optional accessories

- Recirculating kit DWZ0IN0A0

* In accordance with the EU-Regulation No 65/2014

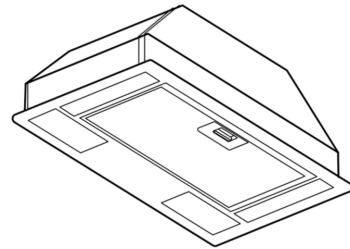
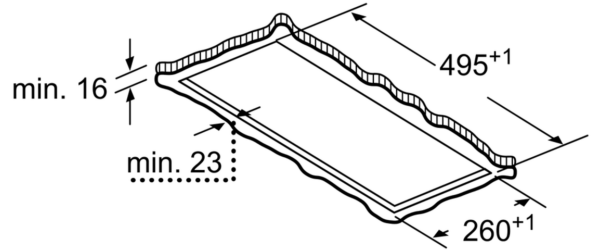
**Series 2, Canopy cooker hood, 53 cm, Anthracite
DLN53AA70B**

Measurements in mm

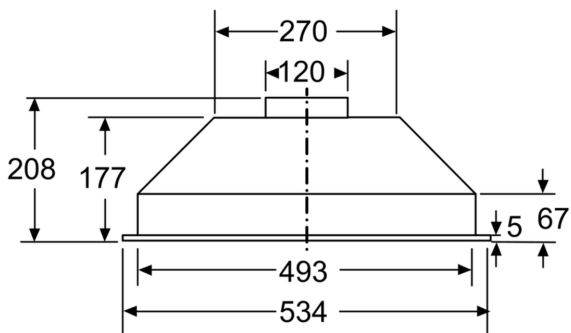


From upper edge of pan support

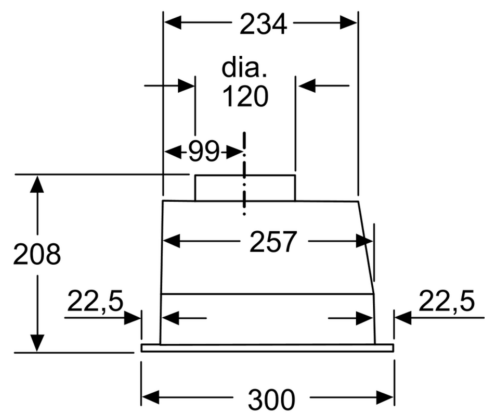
- A:** Electric
- B:** Gas



measurements in mm



measurements in mm



measurements in mm

