

N 50, WALL-MOUNTED COOKER HOOD, 80 CM,  
CLEAR GLASS BLACK PRINTED  
D851FN1SOB



A+



Optional accessories

|           |  |
|-----------|--|
| Z51BXK0S1 | Chimney extension 1000 mm                |
| Z51BXL0S1 | Chimney extension 1500 mm                |
| Z51KIB1X6 | Clean Air Plus odor filter (replacement) |
| Z51KII1X6 | Clean Air Plus recirculation kit         |
| Z51KIV1X6 | Clean Air Plus recirc. kit (chimless)    |

The Inclined Hood with Efficient Silent Drive motor and Smart Hood Automatic for an automatically odor- and noise-free kitchen.

- ✓ High Extraction Rate – ensures a clear view while cooking thanks to an efficient motor technology
- ✓ Efficient Drive Motor – Quiet and energy-efficient hood motor for a calmer kitchen.
- ✓ Home Connect: control your hood via the app.
- ✓ Cooktop-based Hood Control – Adjust your hood's extraction level and lighting.
- ✓ Smart Hood Automatic: the matching hood automatically adjusts to your hob settings while cooking.

Features

Technical Data

|   |                              |
|---|------------------------------|
| Typology:                               | Wall-mounted                 |
| Length of electrical supply cord:       | 130.0 cm                     |
| Height of the chimney:                  | 550-793/550-880 mm           |
| Height of the appliance:                | 320 mm                       |
| Minimum distance above an electric hob: | 450 mm                       |
| Minimum distance above a gas hob:       | 650 mm                       |
| Net weight:                             | 15.3 kg                      |
| Type of control:                        | Electronic                   |
| Number of speed settings:               | 3-stages + intensive setting |
| Maximum output air extraction:          | 431 m <sup>3</sup> /h        |
| Boost position output recirculating:    | 687 m <sup>3</sup> /h        |
| Maximum output recirculating air:       | 427 m <sup>3</sup> /h        |
| Boost position air extraction:          | 768 m <sup>3</sup> /h        |
| Maximum Air flow:                       | 431 m <sup>3</sup> /h        |
| Number of lights (Stck):                | 2                            |
| Noise level:                            | 56 dB(A) re 1 pW             |
| Diameter of air outlet:                 | 150 mm                       |
| Grease filter material:                 | Washable aluminium           |
| EAN code:                               | 4242004274094                |
| Connection rating:                      | 140 W                        |
| Fuse protection:                        | 10 A                         |
| Voltage:                                | 220-240 V                    |
| Frequency:                              | 50; 60 Hz                    |
| Plug type:                              | GB plug                      |
| Installation type:                      | Wall-mounted                 |
| Delay Shut off modes:                   | 10 min                       |



N 50, WALL-MOUNTED COOKER HOOD, 80 CM,  
CLEAR GLASS BLACK PRINTED  
D851FN1SOB

## Features

### Design:

- Angled glass design
- wall-mounted
- Black glass
- Suitable for ducted extraction and recirculation
- In recirculation operation chimless use possible
- For recirculation operation Clean Air Plus recirculation kit (accessory) needed.

### Core Features:

- Efficient BLDC technology
- 2 PC, LED, 3W, with Colour temperature adjustable
- SoftLight with dimmer function : the lighting elements switch on and off smoothly.
- softLight with dimmer function : the brightness of the lighting elements can be adjusted.
- Colour Temperature: 3500 K
- Light Intensity: 502 lux
- 2 capture areas: front side and bottom side
- 2 metal grease filter(s).

### Comfort Features:

- 3 speeds plus intensive
- Automatic reset from intensive to normal setting after 6 min.
- Automatic after running (10 minutes)

### Digital Features:

- Home Connect: operate, monitor and set preferences of your hood via smartphone or tablet (only in countries where Home Connect service is available)
- Hob-Hood control (with Wi-Fi enabled hob): automatically activates the hood when cooking, thanks to the WiFi connection of hood and suitable hob.
- based on hob-hood connection: Hood automatically adapts fan speed thanks to hob continuously providing cooking data (with matching hob and connected Home Connect account)
- fully automatic hood
- Voice Control enabled via popular voice assistants (only in countries where this service is available)
- Performance Profiles: choose between standard, performance or silence profiles to increase the extraction rate or reduce the fan noise via Home Connect App
- LED light with adjustable light temperature: Allows you to adapt the light temperature to your personal needs via Home Connect App
- Saturation indicator, set and reset function for grease filter and odor filter available via Home Connect app.
- After run function: available via Home Connect App
- Interval function: available via Home Connect App
- The Home Connect functionality can be extended by integrating numerous applications from external cooperation partners (partnerships)
- Updateable appliance (available with connected Home Connect account): keep appliance always up to date with latest status of

software.

### Cleaning Comfort:

- Large opening angle of the glass plate with locking function for an easy filter accessibility and easy cleaning.
- Easy to clean smooth surfaces and materials.
- metal grease filter dishwasher-safe

### Performance Exhaust:

- According to EN 61591 and EN/ IEC 60704-2-13 your appliance can achieve the following values in exhaust mode: Speed 1: extraction rate 223 m<sup>3</sup>/h; noise level 39 dB (A) re1pW Speed 2: extraction rate 319 m<sup>3</sup>/h; noise level 48 dB (A) re1pW Speed 3: extraction rate 431 m<sup>3</sup>/h; noise level 56 dB (A) re1pW Intensive 1: extraction rate 768 m<sup>3</sup>/h; noise level 68 dB (A) re1pW
- Energy Efficiency Class: A+ (at a range of energy efficiency classes from A+++ to D)
- Average Energy Consumption: 31.7 kWh/year\*
- Blower Efficiency Class: A\*
- Lighting Efficiency Class: A\*
- Grease Filtering Efficiency Class: C\*

### Performance Recirculation:

- According to EN 61591 and EN/ IEC 60704-2-13 your appliance can achieve the following values in recirculation mode with Clean Air plus recirculation kit, for installation with chimney (available as optional accessory): Speed 1: extraction rate 208 m<sup>3</sup>/h; noise level 47 dB (A) re1pW Speed 2: extraction rate 309 m<sup>3</sup>/h; noise level 54 dB (A) re1pW Speed 3: extraction rate 429 m<sup>3</sup>/h; noise level 62 dB (A) re1pW Intensive Speed 1: extraction rate 724 m<sup>3</sup>/h; noise level 74 dB (A) re1pW)

### Technical Information and Sustainability:

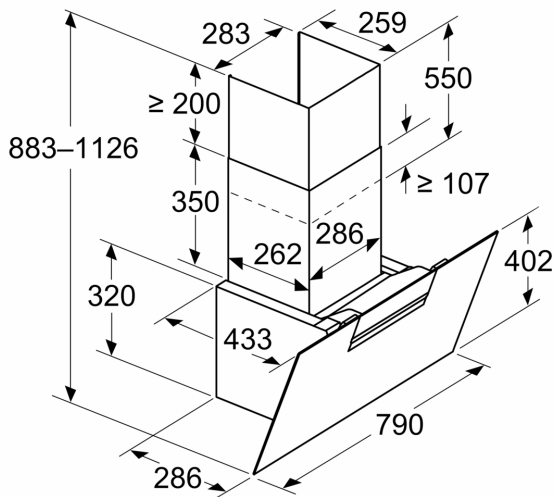
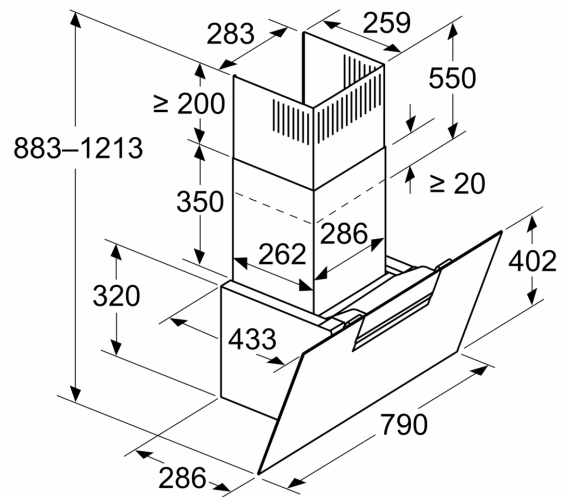
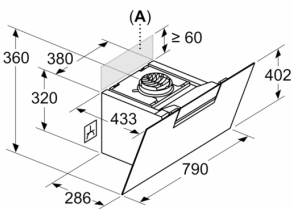
- Consumption data:
- Voltage: Nominal voltage: 220 - 240 V
- Power rating: 140 W
- Sustainability:
- Made in Germany: produced at a CO2 neutral production site
- Environmentally friendly packaging
- Most efficient blower technology available on the market

### Planning and Installation Information:

- Dimensions exhaust air (HxWxD): 883-1126 x 790 x 433 mm
- Dimensions recirculating (HxWxD): 883-1213 x 790 x 433 mm
- Dimensions recirculating installation, chimless (HxWxD): 360 mm x 790 mm
- x 433 mm
- Diameter pipe Ø 150 mm (Ø 150 mm enclosed)
- Electrical cable length 1.3 m

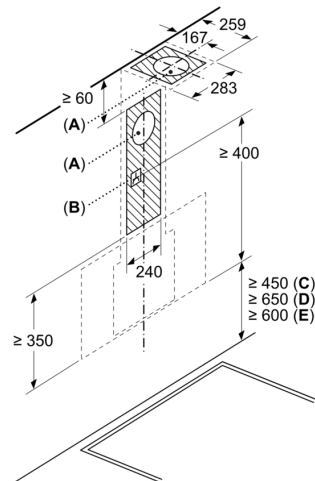
N 50, WALL-MOUNTED COOKER HOOD, 80 CM,  
CLEAR GLASS BLACK PRINTED  
D851FN1SOB

## Dimensioned drawings

**Measurements in mm  
Appliance in exhaust air mode**

**Measurements in mm  
Appliance in circulated air mode**

**Measurements in mm  
Appliance in circulated air mode without duct**


Socket can be fitted to the side of or above the appliance

A: Socket only outside the marked area

**Measurements in mm**


- A: Exhaust-air outlet
- B: Socket
- C: Electric
- D: Gas - from upper edge of pan support
- E: Electric - for Australia and New Zealand

Dimensioned drawings

