



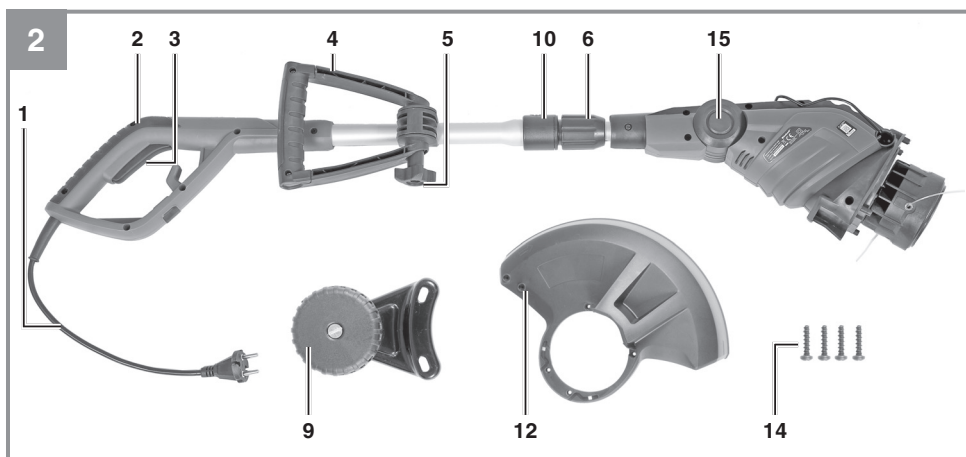
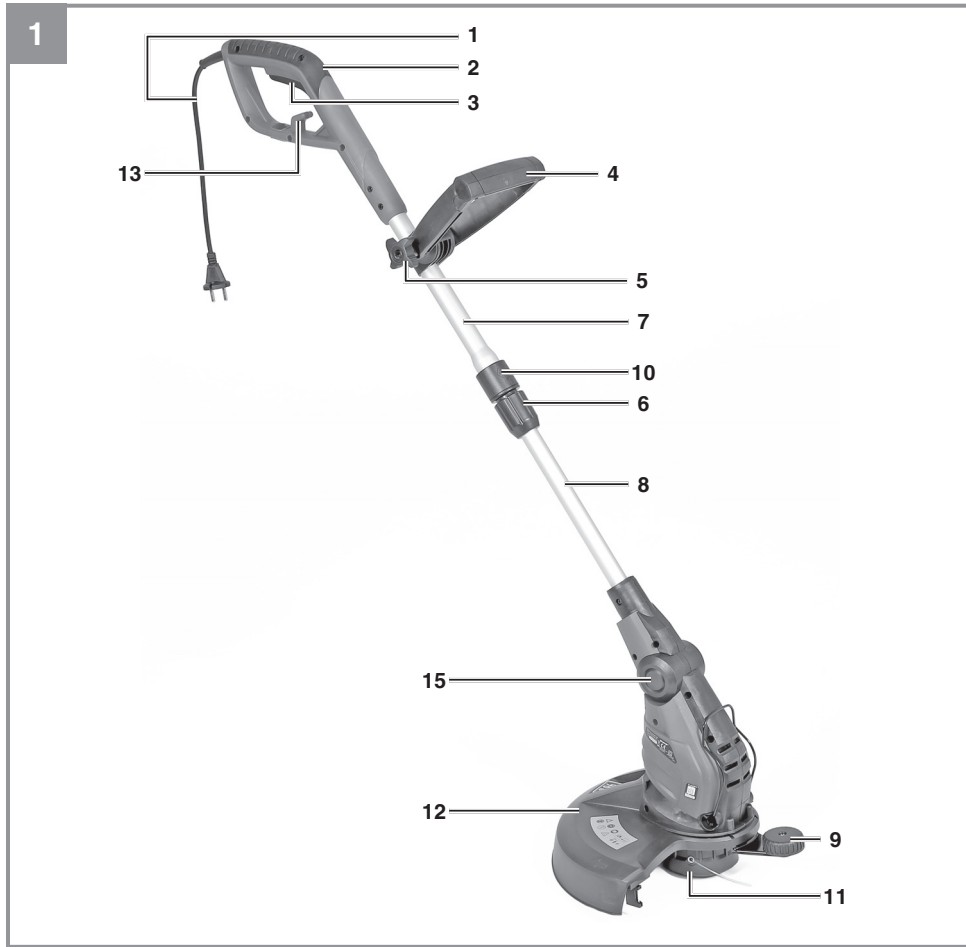
GC-ET 4530

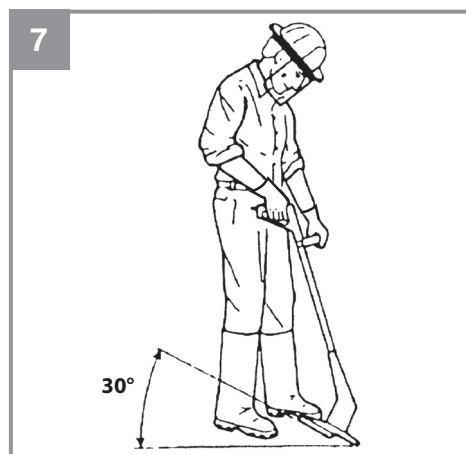
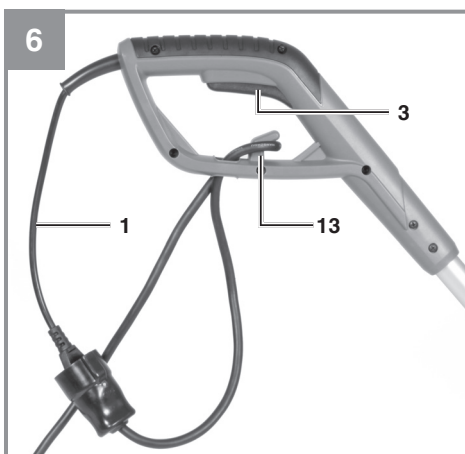
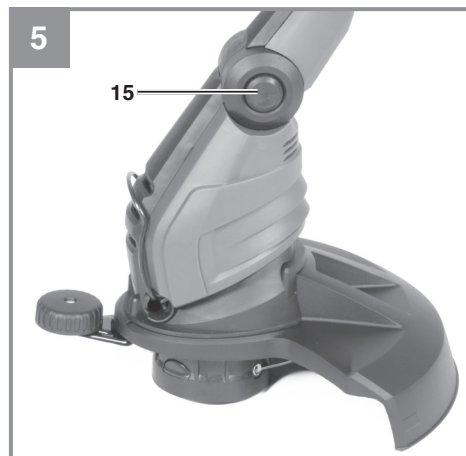
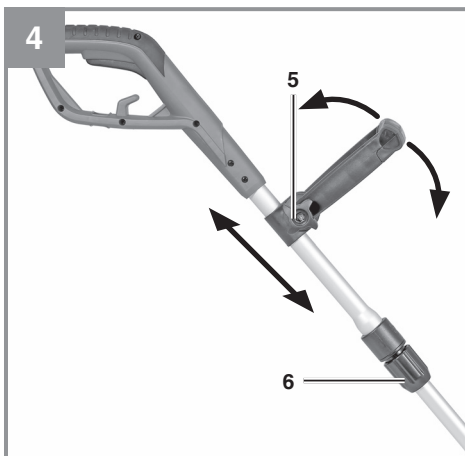
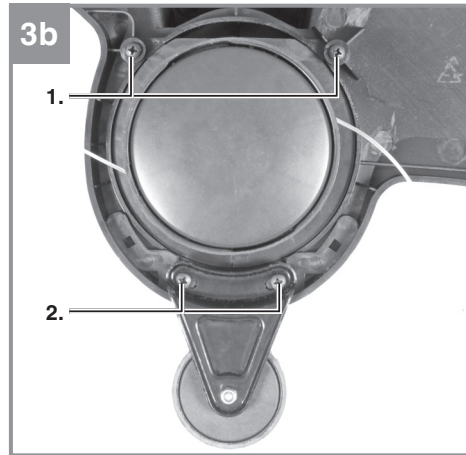
GB Original operating instructions
Electric lawn trimmer

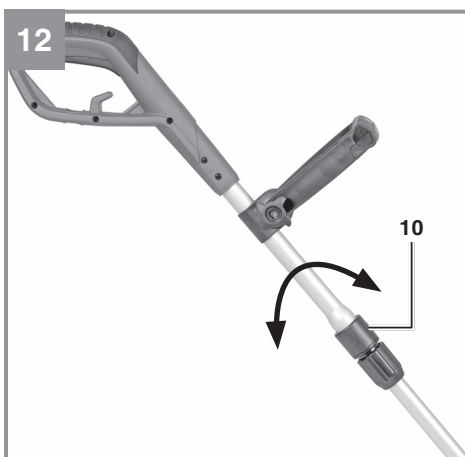
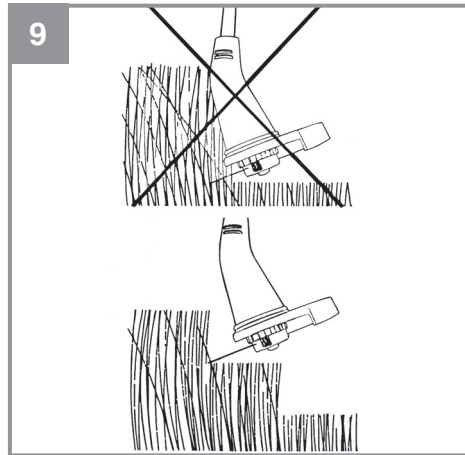


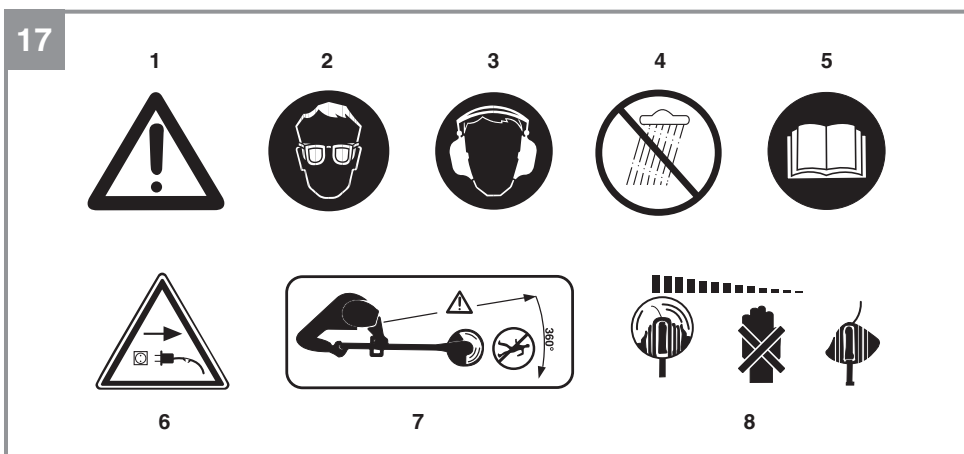
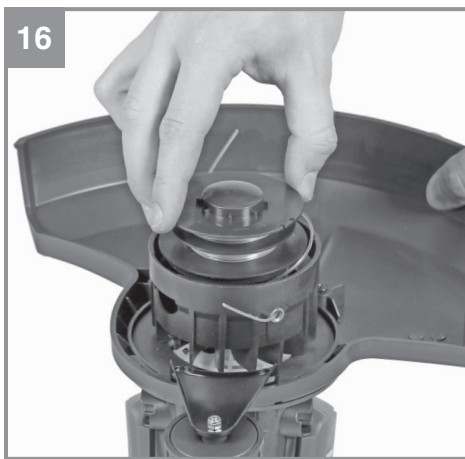
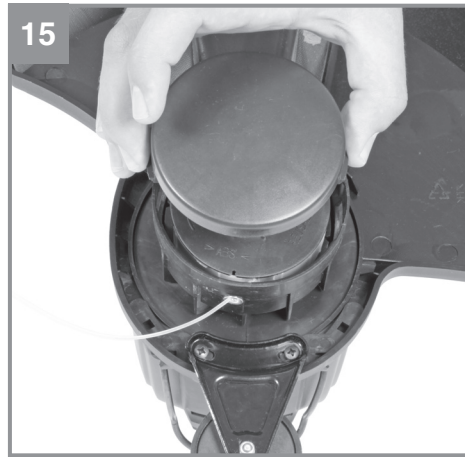
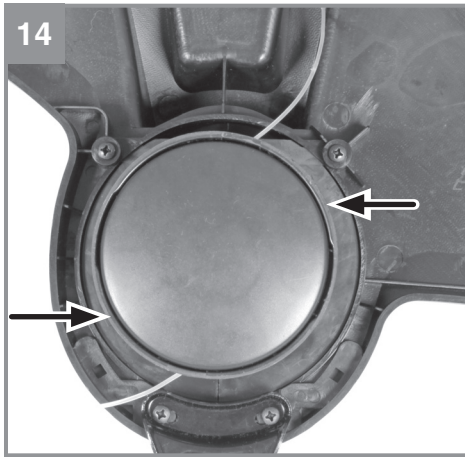
Art.-Nr.: 34.020.26

I.-Nr.: 21013









Danger!

When using the equipment, a few safety precautions must be observed to avoid injuries and damage. Please read the complete operating instructions and safety regulations with due care. Keep this manual in a safe place, so that the information is available at all times. If you give the equipment to any other person, hand over these operating instructions and safety regulations as well. We cannot accept any liability for damage or accidents which arise due to a failure to follow these instructions and the safety instructions.

Explanation of the warning sign (Fig. 17)

1. Warning!
2. Wear eye protection!
3. Wear ear defenders!
4. Protect from the damp!
5. Read the operating instructions!
6. Pull out the power plug!
7. Keep other persons away!
8. The equipment continues to rotate!

1. Safety regulations**General safety information for power tools**

This tool is not intended to be used by children, persons with reduced physical, sensory or mental capacities or with a lack of experience and knowledge, or persons who are not familiar with the instructions. Children must always be supervised in order to ensure that they do not play with the tool. Children are not allowed to carry out cleaning or maintenance.

If the tool's power cable becomes damaged, it must be replaced by the manufacturer, by one of its customer service centers or by a similarly trained person in order to prevent hazards.

The tool is not allowed to be used at altitudes higher than 2000 m.

Danger!**Read all safety regulations and instructions.**

Any errors made in following the safety regulations and instructions may result in an electric shock, fire and/or serious injury.

Keep all safety regulations and instructions in a safe place for future use.

The term "electric tool" used in the safety instructions refers to electric tools operated from the

mains power supply (with a power cable) and to battery operated electric tools (without a power cable).

1. Workplace safety

- a) **Keep your work area clean and well illuminated.** Untidy or unlit work areas can result in accidents.
- b) **Do not operate the electric tool in an environment where there is a risk of explosions and where there are inflammable liquids, gases or dust.** Electric tools produce sparks which could set the dust or vapours alight.
- c) **Keep the electric tool out of the reach of children and other persons.** If there is a distraction, you may lose control of the appliance.

2. Electrical safety

- a) **The connector plug from this electric tool must fit into the socket. The plug should never be altered in any way. Never use adapter plugs together with earthed electric tools.** Unaltered plugs and correct sockets reduce the risk of an electric shock.
- b) **Avoid bodily contact with earthed surfaces such as pipes, heating, ovens and fridges.** The risk of electric shock is increased if your body is earthed.
- c) **Keep the tool out of the rain and away from moisture.** The ingress of water into an electric tool increases the risk of an electric shock.
- d) **Do not use the cable to carry the electric tool, to hang it up or to pull it out of the socket. Keep the cable away from heat, oil, sharp edges and moving parts of the appliance.** Damaged or entangled cables increase the risk of an electric shock.
- e) **If you are working outdoors with an electric tool, only use extension cables which are designed specifically for this purpose.** Using specially designed outdoor extension cables, the risk of electric shock is reduced.
- f) **If operation of the electric tool in a damp environment can not be avoided, use an earth-leakage circuit-breaker.** The earth-leakage circuit-breaker reduces the risk of an electric shock.

3. Safety of persons

- a) **Be careful, watch what you are doing and use an electric tool sensibly. Do not use the tool if you are tired or under the influence of drugs, alcohol or medication.** A moment of inattention when using the electric tool can result in serious injuries.
- b) **Wear personal protection equipment and always wear safety goggles.** Wearing personal protection (such as dust masks, non-slip safety shoes, safety helmet or ear protection, depending upon the type and use of the electric tool) reduces the risk of injury.
- c) **Make sure that the appliance cannot start up accidentally. Ensure that the electric tool is switched off before you connect it to the power supply and/or insert the battery, or pick up or carry the tool.** If your finger is on the switch whilst carrying the electric tool or if you connect the appliance to the mains when it is switched on, this can lead to accidents.
- d) **Remove keys and wrenches before switching on the electric tool.** A tool or key which comes into contact with rotating parts of the appliance can lead to injuries.
- e) **Avoid abnormal working postures. Make sure you stand squarely and keep your balance at all times.** In this way, you can control the electric tool better in unexpected circumstances.
- f) **Wear suitable work clothes. Do not wear loose clothing or jewellery. Keep hair, clothes and gloves away from moving parts.** Loose clothing, jewellery or long hair can get trapped in moving parts.
- g) **If vacuuming devices and draining devices can be fitted, make sure that these are correctly attached and correctly used.** The use of a dust extraction system can reduce the danger posed by dust.

4. Usage and treatment of the electric tool

- a) **Do not overload the appliance. Use the correct tool for your work.** You will be able to work better and more safely within the given performance boundaries.
- b) **Do not use an electric tool with a defective switch.** An electric tool that cannot be switched on or off is dangerous and must be repaired.
- c) **Pull the plug out of the socket and/or remove the battery before making any adjustments to the appliance, changing accessories or putting the appliance**

down. This safety measure prevents starting the electric tool unintentionally.

- d) **Keep unused electric tools out of the reach of children. Do not allow people who are not familiar with the appliance or who have not read these instructions to use the appliance.** Electric tools are dangerous if they are used by inexperienced people.
- e) **Clean your electric tool carefully. Check whether moving parts are functioning properly and not jamming, whether parts are broken or damaged enough that the functioning of this electric tool is affected. Have damaged parts repaired before using the appliance.** Many accidents are caused by badly maintained electric tools.
- f) **Keep your cutting tools sharp and clean.** Carefully maintained cutting tools with sharp cutting edges will jam less and are easier to control.
- g) **Make sure to use electric tools, accessories, attachments, etc. in accordance with these instructions. Take the conditions in your work area and the job in hand into account.** Using electric tools for any purpose other than the one for which they are intended can lead to dangerous situations.

5. Service

- a) **Have your electric tool repaired only by trained personnel using only genuine spare parts.** This will ensure that your electric tool remains safe to use.

Safety information for grass trimmers

Instruction requirements

- a) Read the operating instructions carefully. Familiarize yourself with the operator controls and proper use of the grass trimmer.
- b) Never allow persons who are not familiar with these operating instructions or children to use the tool. The age of the user might be restricted by locally applicable regulations.
- c) Always keep in mind that the user of the tool is personally responsible for accidents or hazards involving other persons or their property.

Preparations

- a) Before use, the power cable and extension cable must be checked for signs of damage or wear. If the cable becomes damaged during use, it must be disconnected immediately from the power supply. DO

NOT TOUCH THE CABLE BEFORE IT IS DISCONNECTED FROM THE POWER SUPPLY. Do not use the tool if the cable is damaged or worn.

- b) Before use, the tool must be checked visually for damaged, missing or wrongly fitted safety devices or covers.
- c) Never use the tool when there are people – particularly children – or pets nearby.

Operation

- a) Keep the power cable and extension cable away from the cutting unit.
- b) Eye protection, long trousers and sturdy shoes must be worn throughout the time spent using the tool.
- c) Avoid using the tool in bad weather conditions, particularly when there is a risk of lightning.
- d) Use the tool only in broad daylight or in well-lit conditions.
- e) Never use the tool with a damaged cover or safety device or when a cover or safety device is missing.
- f) Switch on the motor only when there are no hands or feet within range of the cutting unit.
- g) Always disconnect the tool from the power supply (i.e. pull the power plug out of the power socket):
 - 1) each time the tool is left unattended;
 - 2) before you clear a blockage;
 - 3) before you inspect, clean or work on the tool
 - 4) after the tool strikes a foreign body;
 - 5) whenever the tool begins to make unusual vibrations.
- h) Beware of injuries to feet and hands caused by the cutting unit.
- i) Always make sure that the air vents are kept free of foreign bodies.

Maintenance and storage

- a) Disconnect the tool from the power supply (i.e. pull the power plug out of the power socket) before you carry out any maintenance or cleaning work on it.
- b) Use only spare parts and accessories which are recommended by the manufacturer.
- c) The tool must be inspected and serviced regularly. Have the tool repaired only in an authorized workshop.
- d) When the tool is not being used it must be kept out of children's reach.

Recommendation

The tool should be supplied with a trip current of no more than 30 mA via a residual current protective device (RCD).

Never replace the non-metal cutting unit with a metal cutting unit.

Risk of injury from dangerous moving parts!

Take care to avoid abnormal working postures and to always keep your balance so that you stand squarely on inclines at all times. Walk, don't run.

Take care not to touch moving hazardous parts before the tool has been disconnected from the mains connection and the moving hazardous parts have come to a complete standstill.

Before use, the power cable or the extension cable must be checked for signs of damage or wear. If the power cable becomes damaged during use, disconnect the cable immediately from the power supply. Under no circumstances are you allowed to touch the cable before it is separated from the power supply.

Never connect a damaged power cable to the power supply, and never touch a damaged cable before it has been disconnected from the power supply – damaged cables might result in you touching active parts.

Keep extension cables away from dangerous moving parts in order to prevent damage to cables that might result in you touching active parts.

Avoid using the tool in poor weather conditions, especially if there is a risk of lightning.

When working outdoors, use only extension cables which are approved for outdoor use. Extension cables must have a minimum cross-section of 3 x 0.75 mm² and are not allowed to be of a lighter duty class than H05RN-F. Extension cables are not allowed to exceed a maximum length of 50 m. Plug connections must have earthing contacts and be protected from rainwater.

Additional safety instructions

- Before you begin your work, examine the material you want to cut. Remove any foreign bodies. Continue to watch out for foreign bodies while you are working. If you come across any foreign bodies while cutting, turn off the machine and remove the items in question.
- Work only when visibility is adequate.
- Make sure you stand squarely at all times while working. Be careful when walking backwards. Tripping hazard!
- Never leave the equipment unsupervised in the work area. If you stop work for a while, leave the equipment in a safe place.
- If you stop your work in order to go to another area to work, you must make sure that the equipment is switched off while you are going there.
- Never use the equipment while it is raining or in damp or wet surroundings.
- Protect your equipment against moisture and rain.
- Before you switch on the equipment, check that the cutting unit will not touch any stones or other objects.
- Always wear suitable working clothes to prevent injuries to the head, hands and feet. For this purpose wear a helmet, safety goggles (or visor), high boots (or strong shoes and long trousers made of tough fabric) and work gloves.
- When the equipment is in operation, you must always hold it away from your body!
- Do not switch on the equipment when it is turned around or when it is not in working position.
- Switch off the machine and pull out the power plug: when the equipment is not being used, when you leave it unsupervised, when checking the equipment, when removing or replacing the spool, or when transporting the equipment from one place to another.
- Keep the equipment away from other people, especially children, and from pets. There may be stones and other objects in the grass that is cut and thrown up.
- When you are working, keep a distance of at least 5 m from other persons and pets.
- Do not cut against hard objects. This will help you to prevent causing injury to yourself and damage to the equipment.
- Use the edge of the safety guard to keep the equipment away from walls, different surfaces and fragile objects.
- Never use the equipment without the safety guard.
- This equipment is not allowed to be used by children or by persons with reduced physical, sensory or mental capacities or those with a lack of experience and knowledge. Children should be supervised so that they do not play with the equipment. Children are not allowed to carry out the cleaning or maintenance.
- Avoid abnormal working postures. Make sure you stand squarely and keep your balance at all times. Always maintain good footing on inclines. Only operate the equipment at a walking pace.
- Risk of injury from dangerous moving parts!
- The moving parts are not allowed to be touched before the power plug has been removed and all moving parts have come to a complete standstill.
- Read the directions with due care. Familiarize yourself with the operator controls and proper operation of the equipment.
- Never allow children or other persons who are not familiar with the operating instructions to use the equipment. Contact your local governmental agency for information regarding minimum age requirements for the user.
- Always keep in mind that the user of the equipment is personally responsible for accidents or hazards involving other persons or their property.
- Before use, always carry out a visual check to make sure that the safety devices or covers are not missing or damaged and that they are correctly fitted.
- Never use the equipment in bad weather conditions and particularly never when there is a risk of lightning.
- Never use the equipment with a damaged cover or safety device or when a cover or safety device is missing.
- Switch on the motor only when there are no hands or feet within range of the cutting unit.
- Always switch off the equipment and pull out the power plug:
 - when the equipment is left unattended
 - before you remove a blockage
 - before you inspect, clean or work on the equipment
 - after the equipment strikes a foreign body
 - when the equipment begins to make unusual vibrations (examine immediately) The equipment is not allowed to be put into operation again until the cause of the unusual vibrations is eliminated. If you fail to find the cause of the vibrations, contact a service center.

- Risk of injury from the cutting unit! Keep hands and feet away from the cutting unit!
- Use only spare parts and accessories which are recommended by the manufacturer.
- Examine and service the equipment regularly.

Important! The safety guard is there to ensure your safety and the safety of others. It is also essential for the equipment to work correctly. Failure to comply with this instruction will invalidate your warranty as well as create a potential source of danger.

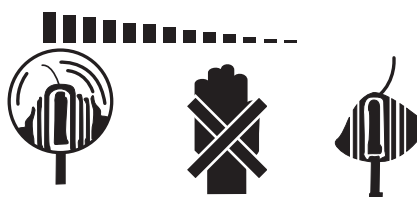
- Never use your hands to try to stop the cutting unit. Always wait for it to stop by itself.
- Use only genuine cutting units.
- Make sure that the air vents are free of dirt.
- Do not try to use the equipment to cut grass which is not growing on the ground; for example, do not try to cut grass growing on walls or stones, etc.
- The person operating the grass trimmer is liable for any damages sustained by third parties within the equipment's working radius as a result of its use.
- Do not cross roads or gravel paths with the equipment switched on.
- When you are not using the equipment, keep it in a dry place out of the reach of children.
- Use the equipment only in the way described in these operating instructions and always hold it perpendicular to the ground. Every other position is dangerous.
- Check at regular intervals that the screws are properly tightened.
- The area to be cut must always be kept cleared of cables and other objects.
- If the equipment has to be lifted for transporting, be sure to switch off the motor first and wait for the cutter to come to a standstill. Each time you leave the equipment, switch off the motor.
- Under no circumstances are you to cut against hard objects during use. This is imperative to prevent injury to yourself and damage to the equipment.
- Use only original replacement parts for repairs.
- Before starting up the equipment, and after any collision, check the equipment for signs of wear or damage and have any necessary repairs carried out.
- Always keep your hands and feet away from the cutting unit, especially when switching the motor on.
- Pull out the power plug before checking,

cleaning or doing any work on the equipment and when it is not being used.

- Acquaint yourself with the controls and how to use the tool.
- Stop using the equipment when there are people – particularly children – or pets nearby.
- Never use the machine if protective equipment is damaged or missing.
- Never mount metal cutting elements.
- Electrically powered trimmers should be repaired only by authorized persons.
- Use only spare parts and accessories which are recommended by the manufacturer.
- Before use, you must check the power cable and extension cable for signs of damage and wear.
- Keep the power cable and the extension cable away from the cutting unit.
- If the cable is damaged during operation, it must be disconnected immediately from the power supply. Do not use the machine if the power cable is damaged or worn.
- Never connect a damaged power cable to the power supply or touch a damaged cable before it has been disconnected from the power supply – damaged cables might result in you touching active parts.
- Keep extension cables away from dangerous moving parts in order to prevent damage to cables that might result in you touching active parts.
- The machine should be supplied with a trip current of no more than 30mA via a residual current protective device (RCD).

Important: The cutting unit continues to run for a few seconds after the motor is switched off.

The cutter continues to rotate!



Do not lose this safety information.

2. Layout and items supplied

2.1 Layout (Fig. 1/2)

1. Power cable
2. Upper handle
3. On/Off switch
4. Additional handle
5. Screw for additional handle
6. Lock for handlebar height adjustment
7. Top handlebar
8. Bottom handlebar
9. Edge guide
10. Lock for rotatable motor head
11. Line spool
12. Guard hood
13. Cable strain-relief clip
14. 4 screws
15. Lock for adjusting the angle of the handlebar

2.2 Items supplied

Please check that the article is complete as specified in the scope of delivery. If parts are missing, please contact our service center or the sales outlet where you made your purchase at the latest within 5 working days after purchasing the product and upon presentation of a valid bill of purchase. Also, refer to the warranty table in the service information at the end of the operating instructions.

- Open the packaging and take out the equipment with care.
- Remove the packaging material and any packaging and/or transportation braces (if available).
- Check to see if all items are supplied.
- Inspect the equipment and accessories for transport damage.
- If possible, please keep the packaging until the end of the guarantee period.

Danger!

The equipment and packaging material are not toys. Do not let children play with plastic bags, foils or small parts. There is a danger of swallowing or suffocating!

- 1x grass trimmer
- 1x guard hood
- 1x edge guide
- 4 screws
- Original operating instructions
- Safety instructions

3. Proper use

The equipment is designed for cutting lawns and small areas of grass in private and hobby gardens.

Equipment designed for use in private and hobby gardens is regarded as unsuitable for use in public facilities, parks and sports centers, along roadways, or in agriculture and forestry. The operating instructions as supplied by the manufacturer must be kept and referred to in order to ensure that the equipment is properly used and maintained.

Important. This equipment must not be used for composting purposes (shredding) as this could result in injury or damage to property.

The equipment is to be used only for its prescribed purpose. Any other use is deemed to be a case of misuse. The user / operator and not the manufacturer will be liable for any damage or injuries of any kind caused as a result of this.

Please note that our equipment has not been designed for use in commercial, trade or industrial applications. Our warranty will be voided if the machine is used in commercial, trade or industrial businesses or for equivalent purposes.

4. Technical data

Mains voltage	230 V ~ 50 Hz
Power	450 W
Cutting circle	Diameter 30 cm
Revolutions n_0	8800 rpm
Cutting line diameter	1.4 mm
Weight	2.6 kg

Danger!

Sound and vibration

L_{pA} sound pressure level	71.9 dB(A)
K_{pA} uncertainty	2.1 dB
L_{WA} sound power level	91.9 dB(A)
K_{WA} uncertainty	2.1 dB

Wear ear-muffs.

The impact of noise can cause damage to hearing.

Total vibration values (vector sum of three directions) determined in accordance with EN 60745.

Vibration emission value $a_h \leq 4.1 \text{ m/s}^2$
K uncertainty = 1.5 m/s^2

The specified vibration value was established in accordance with a standardized testing method. It may change according to how the electric equipment is used and may exceed the specified value in exceptional circumstances.

The specified vibration value can be used to compare the equipment with other electric power tools.

The specified vibration value can be used for initial assessment of a harmful effect.

Keep the noise emissions and vibrations to a minimum.

- Only use appliances which are in perfect working order.
- Service and clean the appliance regularly.
- Adapt your working style to suit the appliance.
- Do not overload the appliance.
- Have the appliance serviced whenever necessary.
- Switch the appliance off when it is not in use.
- Wear protective gloves.

Caution!

Residual risks

Even if you use this electric power tool in accordance with instructions, certain residual risks cannot be ruled out. The following hazards may arise in connection with the equipment's construction and layout:

1. Lung damage if no suitable protective dust mask is used.
2. Damage to hearing if no suitable ear protection is used.
3. Health damage caused by hand-arm vibrations if the equipment is used over a prolonged period or is not properly guided and maintained.

5. Before starting the equipment

Before you connect the equipment to the mains supply make sure that the data on the rating plate are identical to the mains data.

Warning!

Always pull the power plug before making adjustments to the equipment.

5.1 Assembling the grass trimmer (Fig. 3a and 3c)

- Mount the safety guard on the motor head (see Fig. 3a).
- Then fix the safety guard with 2 screws (1.).
- Finally, secure the edge guide with the last two screws (2.) (see Fig. 3b).

5.2 Adjusting the additional handle (Fig. 4)

Place the electric grass trimmer on a firm surface. Slacken the screw (Fig. 5/Item A) and move the additional handle to its optimal position. Lock the handle in place by tightening the screw.

5.3 Height adjustment (Fig. 4)

Place the electric grass trimmer on a firm surface. First loosen the height adjuster (Fig. 4/Item 6). Then set the required length and retighten the height adjuster.

5.4 Adjusting the angle of the handlebar (Figure 5)

When the lock is pressed (Fig. 5/Item 15) you can adjust the angle of the handlebar to 5 positions. Set the angle which is best suited for your work. Make sure that there is an audible click when the handlebar engages.

6. Operation

The electric grass trimmer is designed only to cut grass.

The electric grass trimmer has a fully automatic line extension system. If the line of the electric grass trimmer is reduced through operation, it is automatically extended to the maximum cutting width. This ensures that you can cut your lawn with the perfect cutting width at all times.

Caution! If the line is too long when you use the equipment for the first time, the surplus end of it will be cut by the blade on the guard hood.

Your grass trimmer will work at its best if you observe the following instructions:

- Never use the grass trimmer without its safety devices.
- Do not cut grass when it is wet. The best results are had on dry grass.
- Connect the power cable to the extension cable and fasten this to the strain-relief clamp (Figure 6/Item 13).
- To switch on your grass trimmer, press the ON/OFF switch (Fig. 6/Item 3).
- To deactivate the grass trimmer, let go of the On/Off switch (Figure 6 / Item 3).
- Do not move the grass trimmer against the grass until the switch is pressed, i.e. wait until the trimmer is running.
- For the correct cutting action, swing the grass trimmer to the side as you walk forward, holding it at an angle of approx. 30° as you do so (see Figure 7 and Figure 8).
- Make several passes to cut long grass shorter step by step from the top (see Figure 9).
- Use the edge guide and the guard hood to prevent unnecessary wear on the line.
- Keep the grass trimmer away from hard objects in order to avoid unnecessary line wear.

Using the grass trimmer as an edge trimmer (Fig. 12/13)

To cut the edges of lawns and flower beds, the grass trimmer can be converted as follows:

- Switch off the power supply of the electric grass trimmer.
- Pull the sleeve (Fig. 12/Item 10) to the rear.
- Hold the sleeve in the rear position and rotate the top handle through 180° (Fig. 12) until it latches in place.

- Now you have converted the electric grass trimmer to an edge trimmer for cutting the lawn vertically (Fig. 13).

7. Replacing the power cable

Danger!

If the power cable for this equipment is damaged, it must be replaced by the manufacturer or its after-sales service or similarly trained personnel to avoid danger.

8. Cleaning, maintenance and ordering of spare parts

Danger!

Always pull out the mains power plug before starting any cleaning work.

8.1 Cleaning

- Keep all safety devices, air vents and the motor housing free of dirt and dust as far as possible. Wipe the equipment with a clean cloth or blow it with compressed air at low pressure.
- We recommend that you clean the device immediately each time you have finished using it.
- Clean the equipment regularly with a moist cloth and some soft soap. Do not use cleaning agents or solvents; these could attack the plastic parts of the equipment. Ensure that no water can seep into the device. The ingress of water into an electric tool increases the risk of an electric shock.
- Use a brush to remove deposits from the safety guard.

8.2 Replacing the line spool (Fig. 14-16)

Important! Make sure that you pull out the power plug before replacing the line spool!

- Press the sides of the spool cover as shown and remove the cover (Figure 14-15).
- Remove the empty line spool.
- Thread the ends of the line on the new line spool through the eyelets in the spool receptacle (Fig. 16).
- Fit the spool cover back in the spool mount.
- When you start the equipment again the line will be cut to the perfect length automatically.

Caution! Bits of the nylon line could cause injury when flung out!

8.3 Maintenance

There are no parts inside the equipment which require additional maintenance.

8.4 Ordering replacement parts:

Please quote the following data when ordering replacement parts:

- Type of machine
- Article number of the machine
- Identification number of the machine
- Replacement part number of the part required

For our latest prices and information please go to www.Einhell-Service.com

Spare line spool Art. no.: 34.056.85

9. Disposal and recycling

The equipment is supplied in packaging to prevent it from being damaged in transit. The raw materials in this packaging can be reused or recycled. The equipment and its accessories are made of various types of material, such as metal and plastic. Never place defective equipment in your household refuse. The equipment should be taken to a suitable collection center for proper disposal. If you do not know the whereabouts of such a collection point, you should ask in your local council offices.

10. Storage

Store the equipment and accessories out of children's reach in a dark and dry place at above freezing temperature. The ideal storage temperature is between 5 and 30 °C. Store the electric tool in its original packaging.

11. Troubleshooting

The machine will not work:

Check that the power cable is connected properly and check the mains fuses.

If the machine will not work despite the voltage supply being OK, send it to the specified after-sales service address.



For EU countries only

Never place any electric power tools in your household refuse.

To comply with European Directive 2002/96/EC concerning old electric and electronic equipment and its implementation in national laws, old electric power tools have to be separated from other waste and disposed of in an environment-friendly fashion, e.g. by taking to a recycling depot.

Recycling alternative to the return request:

As an alternative to returning the equipment to the manufacturer, the owner of the electrical equipment must make sure that the equipment is properly disposed of if he no longer wants to keep the equipment. The old equipment can be returned to a suitable collection point that will dispose of the equipment in accordance with the national recycling and waste disposal regulations. This does not apply to any accessories or aids without electrical components supplied with the old equipment.

Please note that batteries and lamps (e.g. light bulbs) must be removed from the tool before it is disposed of.

The reprinting or reproduction by any other means, in whole or in part, of documentation and papers accompanying products is permitted only with the express consent of the Einhell Germany AG.

Subject to technical changes

Service information

We have competent service partners in all countries named on the guarantee certificate whose contact details can also be found on the guarantee certificate. These partners will help you with all service requests such as repairs, spare and wearing part orders or the purchase of consumables.

Please note that the following parts of this product are subject to normal or natural wear and that the following parts are therefore also required for use as consumables.

Category	Example
Wear parts*	Line spool holder
Consumables*	Line spool
Missing parts	

* Not necessarily included in the scope of delivery!

In the effect of defects or faults, please register the problem on the internet at www.Einhell-Service.com. Please ensure that you provide a precise description of the problem and answer the following questions in all cases:

- Did the equipment work at all or was it defective from the beginning?
- Did you notice anything (symptom or defect) prior to the failure?
- What malfunction does the equipment have in your opinion (main symptom)?
Describe this malfunction.

Warranty certificate

Dear Customer,

All of our products undergo strict quality checks to ensure that they reach you in perfect condition. In the unlikely event that this equipment develops a fault, please contact our service department at the address shown on this guarantee card. You can also contact us by telephone using the service number shown. Please note the following terms under which guarantee claims can be made:

1. These guarantee terms apply solely to consumers, i.e. natural persons, who do not want to use this product in connection with either their commercial or other self-employed activities. These guarantee terms regulate additional guarantee services which the undermentioned manufacturer promises to buyers of its new products in addition to their statutory rights of guarantee. Your statutory rights of guarantee are not affected by this guarantee. Our guarantee is free of charge to you.
2. The guarantee services cover only defects due to material or manufacturing faults on the new product which you have bought in the European Union from the undermentioned manufacturer and are limited to either the rectification of said defects or the replacement of the product, whichever we prefer. Please note that only equipment under the brand name "Professional" has been designed for use in commercial, trade or professional applications. For all other products the guarantee is invalidated if the equipment is used within the guarantee period in commercial, trade or industrial applications or for other equivalent activities.
3. Our guarantee does not cover:
 - Damage to the equipment caused by failure to comply with the installation/assembly instructions or by unprofessional installation; damage caused by failure to comply with the operating instructions (e.g. connection to the wrong mains voltage or current type); damage caused by failure to comply with the maintenance and safety regulations; damage caused by exposing the equipment to abnormal environmental conditions; damage resulting from poor care and maintenance.
 - Damage to the equipment caused by misuse or incorrect applications (e.g. overloading the equipment or using non-approved attachments or accessories); damage caused by foreign bodies (e.g. sand, stones, dust, ...) getting inside the equipment. Damage in transit; damage caused by force or external influences (e.g. by dropping the equipment).
 - Damage to the equipment or parts of the equipment which is owed to use-related, normal or otherwise natural wear. For example, batteries and battery packs are manufactured with a cycle limit for design-related reasons. Wear is negatively influenced in particular by load demands and charging speeds as well as exposure to heat, cold, vibration and impact.
4. The guarantee is valid for a period of 2 years starting from the purchase date of the equipment. Guarantee claims must be submitted before the end of the guarantee period and within two weeks of the defect being noticed. No guarantee claims will be accepted after the end of the guarantee period. The original guarantee period remains applicable to the equipment even if repairs are carried out or parts are replaced. In such cases, the work performed or parts fitted will not result in an extension of the guarantee period, and no new guarantee will become active for the work performed or for any replacement parts fitted. This also applies if on-site service is used.
5. To assert your guarantee claim, register the defective equipment at: www.Einhell-Service.com. You will need to provide proof of purchase of the new item of equipment. Equipment returned without such proof or without a rating plate are excluded from the guarantee services because of the lack of traceability. If the defect is covered by our guarantee, then either the item in question will be repaired immediately and returned to you or we will send you a new replacement.
6. If you have taken the equipment with you to a different EU country than where you bought it, we will arrange for a local service partner to provide the guarantee services. If you take the equipment outside the EU, the guarantee will not apply.

Of course, we are also happy to offer a chargeable repair service for any defects which are not covered or no longer covered by the scope of this guarantee. To take advantage of this service, please send the equipment to our service address. We draw attention to the restrictions of this guarantee concerning wear parts, consumables and missing parts as presented in the service information included in this operating manual.

Warrantor/ Service:

Einhell UK Ltd, Unit 10, 1st Floor, Champion's Business Park, Arrowse Brook Road, Upton, Wirral, CH49 0UQ



- D** Konformitätserklärung: Wir erklären Konformität gemäß EU-Richtlinie und Normen für Artikel
- GB** Declaration of conformity: We declare conformity in accordance with the EU directive and standards for article
- F** Déclaration de conformité : Nous déclarons la conformité conformément aux directives et normes UE pour l'article
- I** Dichiarazione di conformità: dichiariamo la conformità secondo la direttiva UE e le norme per l'articolo
- DK** Overensstemmelseserklæring: Vi atterer overensstemmelse iht. EU-direktiv samt standarder for artikel
- S** Försäkran om överensstämmelse: Vi förklarar följande överensstämmelse enl. EU-direktiv och standarder för artikeln
- CZ** Prohlášení o shodě: Prohlašujeme shodu podle směrnice EU a norem pro výrobek
- SK** Vyhlásenie o zhode: Vyhlasujeme zhodu podľa smernice EÚ a noriem pre výrobok
- NL** Conformiteitsverklaring: wij verklaren conformiteit conform EU-richtlijn en normen voor artikel
- E** Declaración de conformidad: declaramos la conformidad a tenor de la directiva y normas de la UE para el artículo
- FIN** Standardinmukaisuus todistus: Me vakuutamme, että EU-direktiivin ja standardien vaatimukset täyttyvät tuotteelle
- SLO** IZJAVA O SKLADNOSTI potrjuje sledečo skladnost s smernico EU in standardi za izdelek
- H** Konformitási nyilatkozat: Az EU-irányvonal és normák szerinti konformitást jelentjük ki a cikkhez
- RO** Declarație de conformitate: Declaram conformitate conform directivei și normelor UE pentru articolul
- GR** Δήλωση συμμόρφωσης: Δηλώνουμε συμμόρφωση σύμφωνα με Οδηγία Εε και πρότυπα για τα προϊόντα
- P** Declaração de conformidade: Declaramos a conformidade de acordo com a diretiva CE e normas para o artigo
- HR** IZJAVA O SUKLADNOSTI potvrđuje sljedeću usklađenost prema smjernicama EU i normama za artikl
- BIH** IZJAVA O SUKLADNOSTI potvrđuje sljedeću usklađenost prema smjernicama EU i normama za artikl
- RS** DEKLARACIJA O USUGLAŠENOST potvrđuje sledeću usklađenost prema smernicama EZ i normama za artikl
- TR** Uygunluk Deklarasyonu: AB direktifi ve ürün standartları uyarınca uygunluğunu beyan ederiz
- RUS** Заявление о соответствии товара: Настоящим удостоверяется, что следующие продукты соответствуют директивам и нормам ЕС
- EE** Vastavusdeklaratsioon: Tõendame toote vastavust EL direktiivile ja standarditele
- LV** Atbilstības deklarācija: Mēs apliecinām atbilstību ES direktīvai un standartiem tālāk minētajām precēm
- LT** Atitikties deklaracija: deklaruojame, kad gaminy's atitinka ES direktyvą ir standartus
- PL** Deklaracja Zgodności - deklarujemy zgodność wymienionego poniziej artykułu z następującymi normami na podstawie dyrektywy EU
- BG** Декларация за съответствие: Ние декларираме съответствие на Директивите и нормите (ЕС) за изделия
- UKR** Декларація відповідності: ми заявляємо про відповідність згідно з Директивою ЄС та стандартами стосовно артикула
- MK** Izjava za soobraznost: Izjavuваме soobraznost so regulativata i so normite na EV za artikli
- N** Samsvarserklæring: Vi erklærer samsvar i henhold til EU-direktiv og standarder for artikkel
- IS** Samræmisýfirlýsing: Við útskúrdum samræmi við EU-reglugerð og stöðlum fyrir vörutegund

Elektro-Rasentrimmer* GC-ET 4530 Set (Einhell)

- 2014/29/EU
- 2005/32/EC_2009/125/EC
- (EU)2015/1188
- 2014/35/EU
- 2006/28/EC
- 2014/30/EU
- 2014/32/EU
- 2014/53/EU
- 2014/68/EU
- (EU)2016/426
- (EU)2016/425
- 2011/65/EU_(EU)2015/863
- 2006/42/EC
- Annex IV
- Notified Body:
Reg. No.:
- 2000/14/EC_2005/88/EC
- Annex V
- Annex VI
- Noise: measured $L_{WA} = 91,9$ dB (A); guaranteed $L_{WA} = 96$ dB (A)
P = 0,45 kW; L/Ø = 30 cm
Notified Body: TÜV SÜD Industrie Service GmbH (NB 0036)
- 2012/46/EU_(EU)2016/1628
- Emission No.:

Standard references: EN 55014-1; EN 55014-2; EN 61000-3-2; EN 61000-3-3; EN 60335-1; EN 50636-2-91; EN 62233

ISC GmbH · Eschenstraße 6 · D-94405 Landau/Isar

Landau/Isar, den 01.08.2023

Andreas Weichselgartner/General-Manager

Bobby Chen/Product Management

First CE: 13
Art.-No.: 34.020.26 I.-No.: 21013
Subject to change without notice

Archive-File/Record: NAPR030494
Documents registrar: Felix Hofner
Wiesenweg 22, D-94405 Landau/Isar

* GB Electric lawn trimmer · F Debroussaillage électrique · I Tosaerba elettrico a filo · DK/N El-dreven græsstrimmer · S Elektrisk græsstrimmer · CZ Elektrická strunová sekačka · SK Elektrická strunová kosačka · NL Elektrische gazontrimmer · E Recortadora de césped eléctrica · FIN Sähkökäyttöinen ruohotrimmari · SLO Električna kosilnica · H Elektromos-pázsitrimmer · RO Trimmer pentru gazon electric · GR Ηλεκτρική μηχανή απορριπτικού χορτού · P Roçador de relva eléctrico · HR/BIH Električni trimer za travu · RS Električni trimmer za travu · PL Podkaszarka elektryczna · TR Elektrikli misinalı çim biçme makinesi · RUС Электрический газоный триммер · EE Elektriline murutrimmer · LV Elektriskais zālenu trimmeris · LT Elektrinė krūmiarė · BG Электрическа косачка за подрязване на трева · UKR Електрична газонокосарка · MK Електро-триммер за трева



Declaration of conformity

We, Einhell UK Ltd

Champions Business Park, First Floor Unit 10, Arrowe Brook Rd, Upton, Wirral CH49 0AB,
United Kingdom

declare the conformity to UK standards and legislation was assessed for:

Electric Lawn Trimmer GC-ET 4530 Set (Einhell)

UK legislation

- | | |
|--|--|
| <input type="checkbox"/> Simple Pressure Vessels (Safety) Regulation | <input checked="" type="checkbox"/> Electromagnetic Compatibility Regulation |
| <input type="checkbox"/> Electrical Equipment (Safety) Regulation | <input type="checkbox"/> Measuring Instruments Regulation |
| <input type="checkbox"/> Radio Equipment Regulation | <input type="checkbox"/> Pressure Equipment (Safety) Regulation |
| <input type="checkbox"/> Personal Protective Equipment Regulation | |
| <input type="checkbox"/> The Ecodesign for Energy-Related Products and Energy Information Regulation | |
| <input checked="" type="checkbox"/> The Restriction of the Use of Certain Hazardous Substances in Electrical and Electronic Equipment Regulation | |
| <input checked="" type="checkbox"/> Noise Emission in the Environment by Equipment for use Outdoors Regulation | |
| <input type="checkbox"/> Annex V | |
| <input checked="" type="checkbox"/> Annex VI | |
| Noise: measured $L_{WA} = 91,9$ dB (A); guaranteed $L_{WA} = 96$ dB (A)
P = 0,45 kW; L/Ø = 30 cm
Approved Body: TÜV SÜD Industrie Service GmbH (NB 0036) | |
| <input checked="" type="checkbox"/> Supply of Machinery (Safety) Regulation | |
| <input type="checkbox"/> Annex IV | |
| UK Approved Body:

UKTE Certificate No.: | |

**Standards: BS EN 55014-1; BS EN 55014-2; BS EN 61000-3-2;
BS EN 61000-3-3; BS EN 60335-1; BS EN 50636-2-91; BS EN 62233**

Wirral, 2023.08.01


Tom Chambers, Managing Director Einhell UK Ltd.

Article Number: 34.020.26 I.-No.: 21013
Subject to change without notice

Archive-File/Record: NAPR030494
Documents registrar: Felix Hofner
Wiesenweg 22, 94405 Landau/Isar, Germany



EH 08/2023 (01)

