



PV10P
IN-WALL ELECTRIC
TOOTHBRUSH
CHARGER

Please keep this guide for future reference

INTENDED USE

This product is intended for installation in bathrooms to charge Oral-B and Braun electric toothbrushes only (excluding the iO and Pulsonic series).

This appliance can be used by children aged 8 years and over.

Persons with reduced physical, sensory or mental capabilities or lack of experience and knowledge should only use the device under supervision or having received instruction concerning correct use of the appliance in a safe way and the possible hazards involved.

Children should not play with the appliance.

Cleaning and user maintenance should not be carried out by children without supervision.

SAFETY INSTRUCTIONS

All installation work should be undertaken by a competent person in accordance with the current edition of the IEE Wiring Regulations (BS 7671) and appropriate statutory regulations. In the Republic of Ireland the installation must be in accordance with the ETCI National Rules for Electrical Installations -ET101.

IF IN DOUBT, CONSULT A QUALIFIED ELECTRICIAN

Before starting any electrical work, ensure that the electricity supply is SWITCHED OFF at the mains.

For additional safety, remove the fuse or switch off the circuit breaker at the fuse box or consumer unit.

IMPORTANT NOTICE – WIRING COLOUR CHANGES

From 1st April 2004 new installations in the UK can be wired using the new EU Harmonised colours for the supply conductors of twin and earth cable:

New Colours

Brown = Live
Blue = Neutral
Green/Yellow = Earth

Old Colours

Red = Live
Black = Neutral
The old colours will cease to be used from 1st April 2006.

Flexible cable colours

remain unchanged:
Brown = Live
Blue = Neutral

ROI conductor colours for twin and earth cable and flexible cable:

Brown = Live
Blue = Neutral

INSTALLATION AND WIRING INSTRUCTION

This toothbrush charger unit is suitable for mounting with a 47mm deep 2 gang flush metal box.

01. Remove the product and screws supplied from the packaging and remove the front plate before starting installation.
02. Feed the incoming supply cable through the appropriate knockout entry in the back box. Ensure a protective cable grommet is fitted when using a flush metal box.
03. Remove a suitable length of the outer sheath from the supply cable. Remove 10mm from the live and neutral inner insulation to expose the conductor ends.
04. Insert the Neutral conductor into the charger supply unit terminal marked N.
05. Insert the Live conductor into the charger supply unit terminal marked L.
06. Before connecting the protective earth conductor, ensure that all bare earth conductors are sleeved with a length of Green/ Yellow sleeving (not supplied).
07. Insert the sleeved earth conductor into the terminal marked with the Earth symbol.

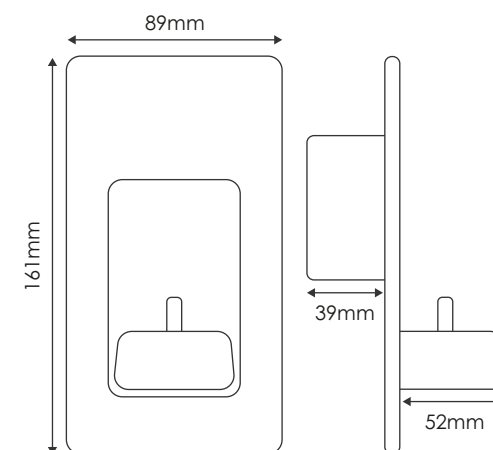
08. Ensure all wires are secure in their terminals.
09. Fit the toothbrush charging unit into the mounting box, taking care not to trap any cables.
10. Secure the unit using the fixing screws.
11. Ensure that the unit is correctly and securely installed and then fit the snap-fit front plate.
12. Refit the supply fuse (if removed) and switch on the mains supply.
13. Parts that are required to be fixed should be fixed so that they cannot fall into water.

DISPOSAL OF THE TOOTHBRUSH CHARGER

This symbol on the product or on its packaging indicates that this product shall not be treated as household waste. Instead it shall be handed over to an applicable collection point for the recycling of electrical and electronic equipment. By ensuring this product is disposed of correctly, you will help prevent potential negative consequences for the environment and human health, which could otherwise be caused by inappropriate waste handling of this product. The recycling of materials will help to conserve natural resources.



Scan here to visit our knowledge base



CUSTOMER CARE CENTRE:
technical@proofvision.co.uk
+44 (0) 203 4111 693

ProofVision

UK Unit 1, Avad House, Belvue Road, Northolt, London, UB5 5HY

EU Notion Technology Ltd, Unit 83 Moat House, 54 Bloomfield Avenue, Belfast, Northern Ireland, BT5 5AD

www.proofvision.co.uk



IP44