

Installation

⚠ WARNING

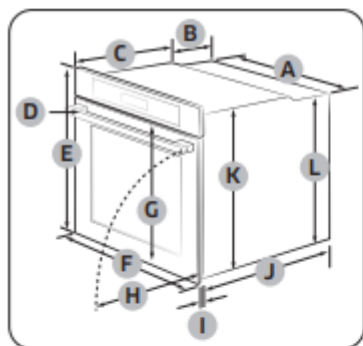
Do not step on or twist the wires during installation, and keep them away from heat-emitting parts of the oven.

Cabinet mount

If installing the oven in a built-in cabinet, the cabinet must have its plastic surfaces and adhesive parts resistant up to 90 °C. Samsung is not responsible for damage to furniture from the oven's heat emission.

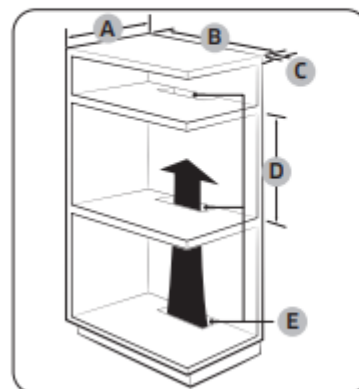
The oven must be properly ventilated. For ventilation, leave a gap of about 50 mm between the lower shelf of the cabinet and the supporting wall. If you install the oven under a cooktop, follow the cooktop's installation instructions.

Required Dimensions for Installation



Oven (mm)

A	560	G	503
B	166	H	481
C	383	I	21
D	45	J	549
E	596	K	579
F	595	L	559

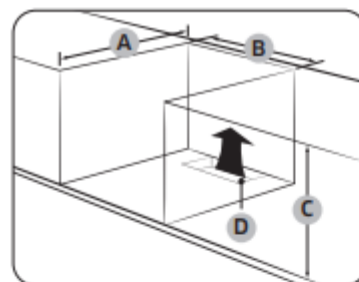


Built-in cabinet (mm)

A	Min. 550
B	Min. 560
C	Min. 50
D	Min. 590 - Max. 600
E	Min. 460 x Min. 50

NOTE

The built-in cabinet must have vents (**E**) to ventilate heat and circulate the air.

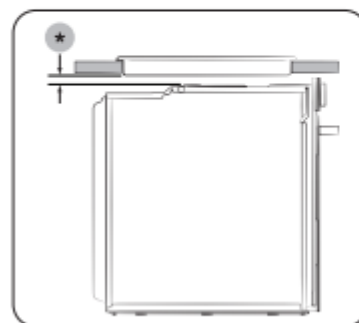


Under-sink cabinet (mm)

A	Min. 550
B	Min. 560
C	Min. 600
D	Min. 460 x Min. 50

NOTE

The built-in cabinet must have vents (**D**) to ventilate heat and circulate the air.



Installing with a hob

To install a hob on top of the oven, check the installation guide of the hob for the installation space requirement (*).