

## Series 4, Fully-integrated dishwasher, 60 cm, Variable hinge SMH4HVX00G



## Flexible loading and smart remote control of your VarioHinge dishwasher via the Home Connect app. VarioHinge the perfect solution for installations with low plinth heights and high built-in situations.

- A perfect design match thanks to Vario Hinge. Leaving no gaps even in kitchens with low plinth heights and high built-in solutions.
- ExtraDry: extra drying option for difficult-to-dry loads.
- InfoLight: a red light on the floor indicates whether the dishwasher is switched on or off.
- VarioFlex-baskets and VarioDrawer: enhanced flexibility options with more space on all levels.
- Home Connect: home appliances with smart connectivity for an easier everyday life.

### Technical Data

Energy Efficiency Class: .....D  
 Energy Consumption for 100 cycles Eco Programme: ..... 85 kWh  
 Maximum number of place settings: ..... 14  
 The water consumption of the eco programme in liters per cycle: 9.0 l  
 Programme duration: ..... 4:30 h  
 Airborne acoustical noise emissions : .....46 dB(A) re 1 pW  
 Airborne acoustical noise emission class: .....C  
 Built-in / Free-standing: ..... Built-in  
 Height of removable worktop: ..... 0 mm  
 Dimensions of the product (HxWxD): .....815 x 598 x 550 mm  
 Min. required niche size for installation (HxWxD): ....815-875 x 600 x 550 mm  
 Depth with open door 90 degree: ..... 1150 mm  
 Adjustable feet: ..... Yes - all from front  
 Maximum adjustability feet: ..... 60 mm  
 Adjustable plinth: ..... Both horizontal and vertical  
 Net weight: .....34.6 kg  
 Gross weight: ..... 36.8 kg  
 Connection rating: ..... 2400 W  
 Fuse protection: .....10 A  
 Voltage: ..... 220-240 V  
 Frequency: ..... 50; 60 Hz  
 Length electrical supply cord: ..... 175.0 cm  
 Plug type: ..... GB plug  
 Length inlet hose: ..... 165 cm  
 Length outlet hose: ..... 190 cm  
 EAN code: ..... 4242005470358  
 Installation typology: ..... Integrated

### Optional accessories

SGZ0BI02	decorative strips stainless steel 81,5cm
SGZ1010	inlet and outlet hose extension
SGZ8BI00	Connection rail for divided furniture
SMZ2014	Rack insert for stemware dishwasher
SMZ5000	Dishwashing aid set
SMZ5100	Vario-cutlery basket
SMZ5300	GlassSecure Tray



## Series 4, Fully-integrated dishwasher, 60 cm, Variable hinge SMH4HVX00G

**Flexible loading and smart remote control of your VarioHinge dishwasher via the Home Connect app. VarioHinge the perfect solution for installations with low plinth heights and high built-in situations.**

- steam protection plate
- Self-cleaning filter system with 3 piece corrugated filter
- Stainless steel/Polinox interior
- Dimensions (HxWxD): 81.5 x 59.8 x 55cm

<sup>1</sup> Scale of Energy Efficiency Classes from A to G

<sup>2</sup> Energy consumption in kWh per 100 cycles (in programme Eco 50 °C)

<sup>3</sup> Water consumption in litres per cycle (in programme Eco 50 °C)

<sup>4</sup> Duration of programme Eco 50 °C

### Performance

- Energy Efficiency Class<sup>1</sup>: D
- Energy<sup>2</sup> / Water<sup>3</sup>: 85 kWh / 9 litres
- Capacity: 14 place settings
- Programme duration<sup>4</sup>: 4:30 (h:min)
- Noise level: 46 dB(A) re 1 pW
- Noise Efficiency Class: C

### Programmes / functions

- 6 programmes: Eco 50 °C, Auto 45-65 °C, Intensive 70 °C, Express 65°, Glass 40 °C, Favourite
- Default favourite programme: Pre-Rinse
- 4 special options: Remote Start, Extra Dry, Half Load, SpeedPerfect+
- Add-On functions via Home Connect app: Hygiene+, Silence on Demand
- Machine Care

### Flexible design elements

- Vario Flex baskets
- Vario Drawer - loading of cutlery on 3rd level
- 3 stage Rackmatic height-adjustable top basket
- Low friction wheels on bottom basket
- Rack Stopper to prevent derailing of bottom basket
- 2 foldable plate racks in top basket
- 4 foldable plate racks in bottom basket
- Upper rack cup shelf

### Innovations and technology

- Home Connect ready on WLAN
- Heat exchanger - Hygienic and efficient drying
- DosageAssist detergent dispenser
- EcoSilence BLDC drive
- Automatic detergent detection
- AquaSensor III
- AquaMix - Glass protection system

### Design features

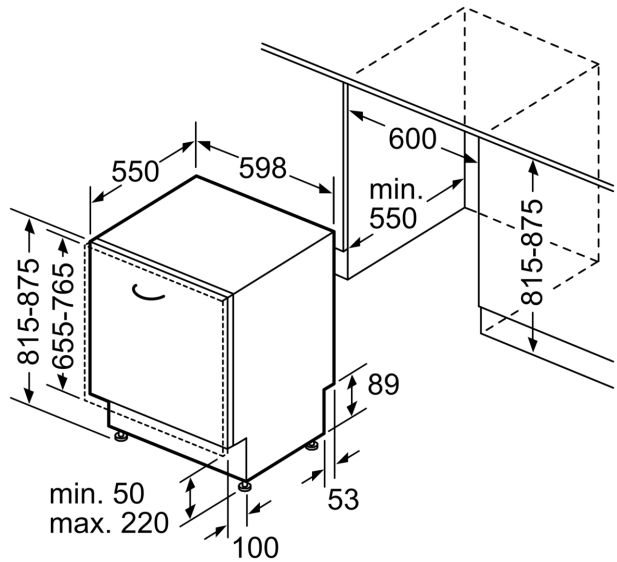
- VarioHinge 50mm
- Push button top edge controls
- InfoLight (Red) - Light projection on the floor
- Time delay (3, 6 or 24 hours)
- Acoustic end of cycle indicator
- AquaStop: Bosch's warranty in case of water damage - for the lifetime of the appliance. Please find warranty terms under <https://www.bosch-home.co.uk/customer-service/care-protection-and-parts/additional-warranties>

## Series 4, Fully-integrated dishwasher, 60 cm, Variable hinge SMH4HVX00G

measurements in mm



⌚ socket  
( ) values with extension kit



measurements in mm