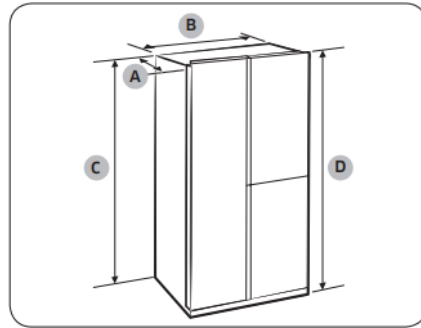


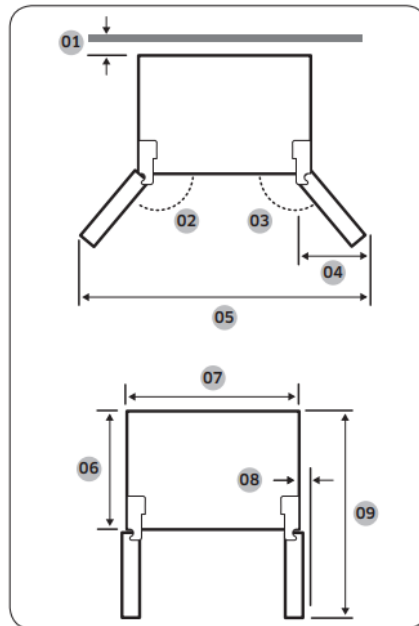
Clearance

See the pictures and table below for space requirements for installation.



Depth "A"	716
Width "B"	912
Height "C"	1747
Overall Height "D"	1780

(unit: mm)



01 more than 50 mm recommended

02 165°

03 170°

04 564 mm

05 1726 mm

06 610 mm

07 912 mm

08 29 mm (without handle)

09 1165 mm

NOTE

The measurements in the above table may differ, depending on the measuring method.