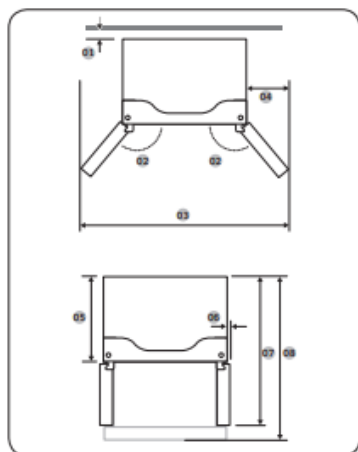


# Installation



| Model | RF24BB6*****                | RF30BB6***** |
|-------|-----------------------------|--------------|
| 01    | more than 50 mm recommended |              |
| 02    | 125°                        |              |
| 03    | 1485 mm                     |              |
| 04    | 289 mm                      |              |
| 05    | 610 mm                      | 748 mm       |
| 06    | 54 mm                       |              |
| 07    | 1093 mm                     | 1231 mm      |
| 08    | 1131 mm                     | 1353 mm      |

## NOTE

The measurements in the tables may differ slightly from the actual measurements, depending on the measuring and rounding method.

# Step-by-step installation

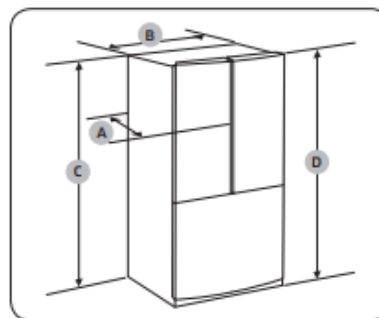
## STEP 1 Select a site

The site must:

- Have a solid level surface without carpeting or flooring that may obstruct ventilation
- Be out of direct sunlight
- Have adequate room for opening and closing the door
- Be away from any heat source
- Provide room for maintenance and servicing
- Have a temperature range between 10 °C and 43 °C

Clearance

See the following figures and tables for installation space requirements.



| Model | RF24BB6***** | RF30BB6***** |
|-------|--------------|--------------|
| A     | 730 mm       | 868 mm       |
| B     | 908 mm       |              |
| C     | 1749 mm      |              |
| D     | 1778 mm      |              |