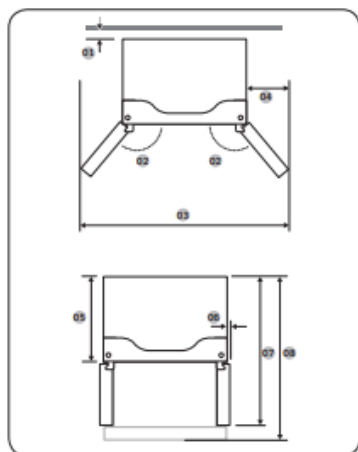


Installation



Model	RF24BB6*****	RF30BB6*****
01	more than 50 mm recommended	
02	125°	
03	1485 mm	
04	289 mm	
05	610 mm	748 mm
06	54 mm	
07	1093 mm	1231 mm
08	1131 mm	1353 mm

NOTE

The measurements in the tables may differ slightly from the actual measurements, depending on the measuring and rounding method.

Step-by-step installation

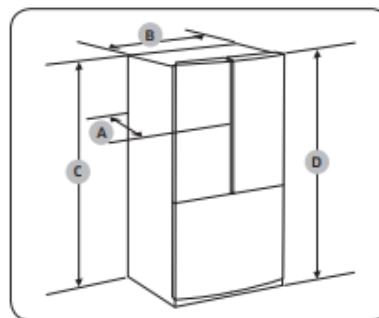
STEP 1 Select a site

The site must:

- Have a solid level surface without carpeting or flooring that may obstruct ventilation
- Be out of direct sunlight
- Have adequate room for opening and closing the door
- Be away from any heat source
- Provide room for maintenance and servicing
- Have a temperature range between 10 °C and 43 °C

Clearance

See the following figures and tables for installation space requirements.



Model	RF24BB6*****	RF30BB6*****
A	730 mm	868 mm
B	908 mm	
C	1749 mm	
D	1778 mm	