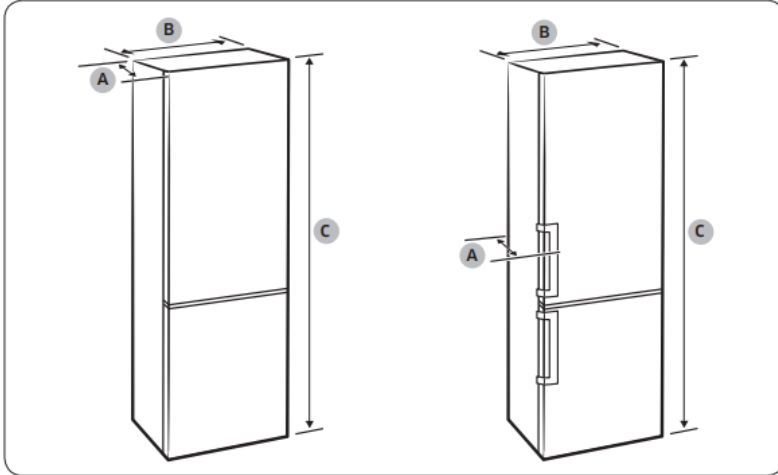


Installation

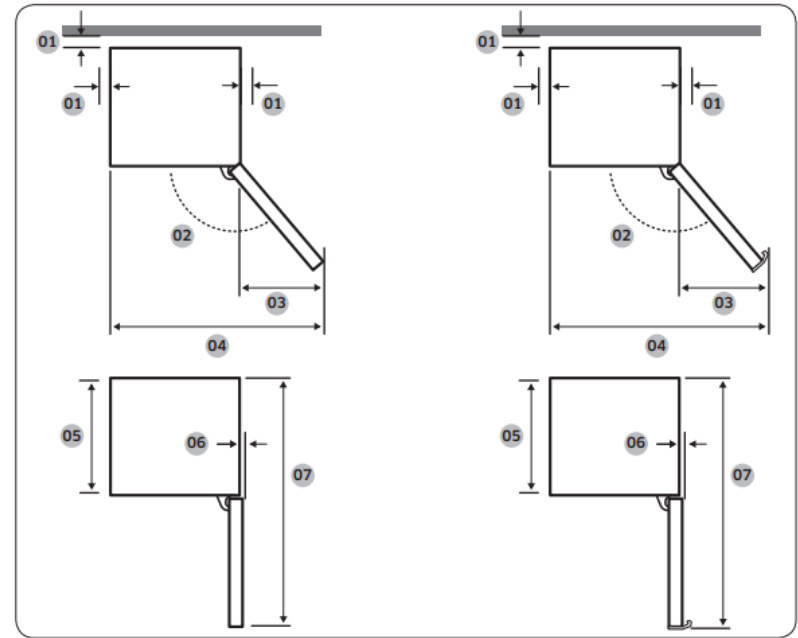
Clearance

See the following figures and tables for space requirements for installation.



Model	Recess handle type			Bar handle type			Bespoke type	
	RB34T* RB3CT* RL34T* RB33B* RB34C* RL34C*	RB36T* RB3DT* RL36T* RB36C* RL36C*	RB38T* RB3ET* RL38T* RB38C* RL38C*	RB34T* RB3CT* RL34T*	RB36T* RB3DT* RL36T*	RB38T* RB3ET* RL38T*	RB34A* RL34A* RB34C* RL34C*	RB38A* RL38A* RB38C* RL38C*
Depth "A"	658			720			658	
Width "B"	595			595			595	
Overall Height "C"	1853	1935	2030	1853	1935	2030	1853	2030

(unit : mm)



Model	Recess handle type	Bar handle type	Bespoke type
01	more than 50 mm recommended	more than 50 mm recommended	more than 50 mm recommended
02	135°	135°	105°
03	404	433	191
04	999	1028	786
05	595	595	595
06	6	6	0
07	1210	1217.5	1207

(unit : mm)

NOTE

The measurements in the table may differ, depending on the measuring method.